

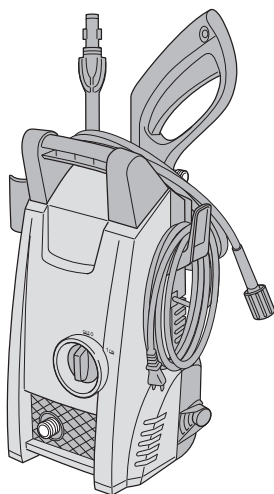
# **HiKOKI**

---

## **High Pressure Washer**

### **AW 100**

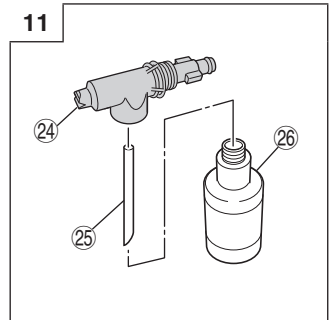
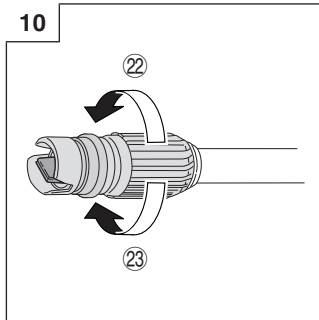
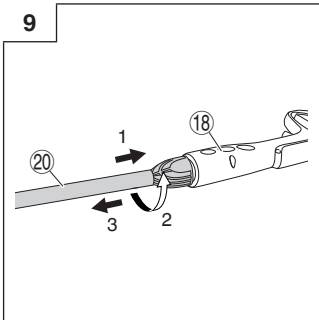
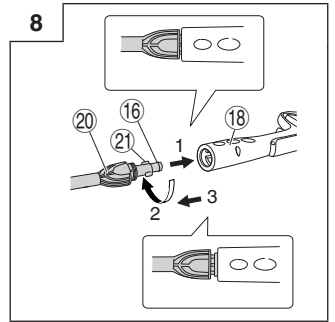
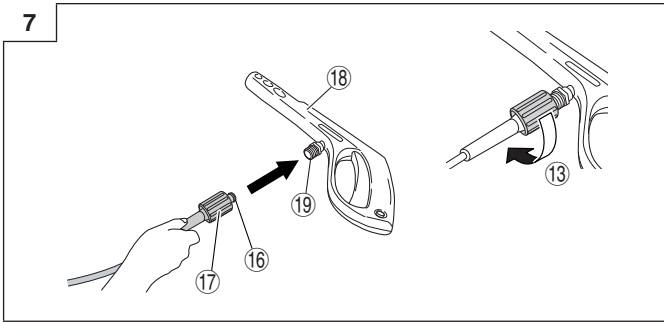
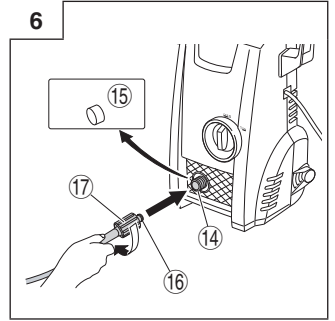
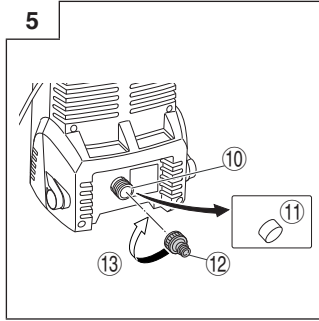
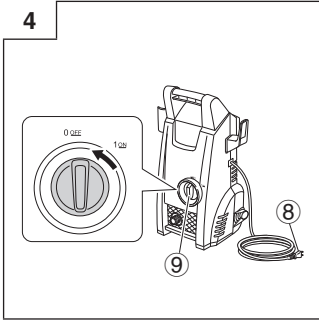
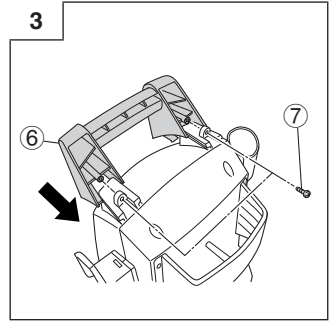
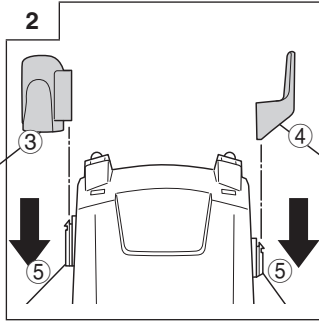
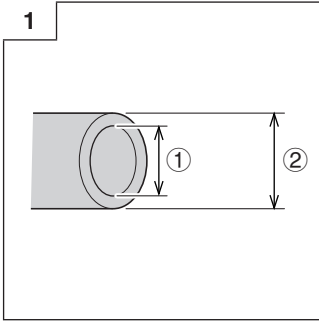
---



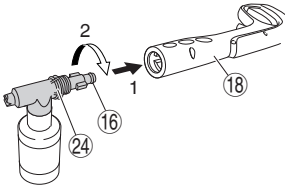
Do not use the appliance without reading the handling instruction.



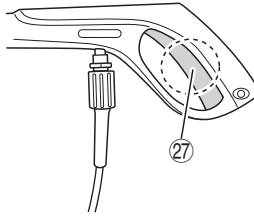
Handling instructions



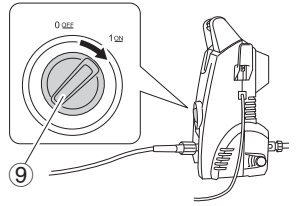
12



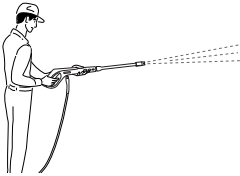
13



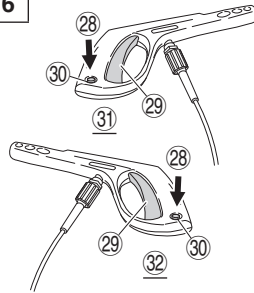
14



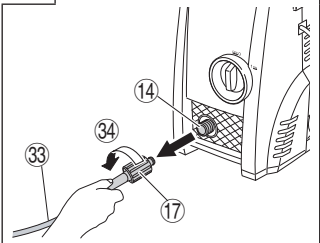
15



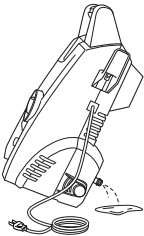
16



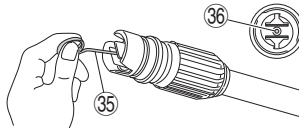
17



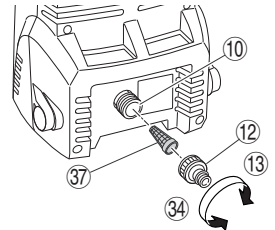
18



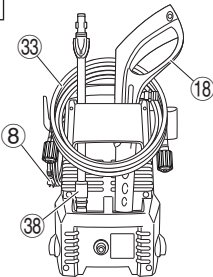
19










20



21



①	14 to 15 mm	⑳	Nozzle
②	20 mm or less	㉑	Protrusion
③	Gun holder	㉒	Spray
④	Cord holder	㉓	Jet
⑤	Washer protrusion	㉔	Detergent nozzle
⑥	Handle	㉕	Water supply pipe
⑦	Screw	㉖	Bottle
⑧	Power plug	㉗	Center of the trigger
⑨	Switch	㉘	Push
⑩	Water feed inlet	㉙	Trigger
⑪	Water feed inlet cap	㉚	Trigger stopper
⑫	Water feed connector	㉛	Lock
⑬	Tighten	㉜	Release
⑭	Water outlet	㉝	High-pressure hose
⑮	Water outlet cap	㉞	Loosen
⑯	O-ring	㉟	Nozzle cleaner pin
⑰	Ring	㊱	Hole of the nozzle
⑱	Trigger gun	㊲	Strainer
㉠	Connector	㊳	Variable nozzle

	<p><b>Symbols</b>  <b>⚠ WARNING</b>  The following show symbols used for the machine. Be sure that you understand their meaning before use.</p>		
	<p><b>Read all safety warnings and all instructions.</b>  Failure to follow the warnings and instructions may result in electric shock, fire and/or serious injury.</p>		<p>High-pressure water can be dangerous if used incorrectly. High-pressure water jets must not be directed at people, electrical equipment or the washer itself.</p>
	<p>Only for EU countries  Do not dispose of electric tools together with household waste material!  In observance of European Directive 2002/96/EC on waste electrical and electronic equipment and its implementation in accordance with national law, electric tools that have reached the end of their life must be collected separately and returned to an environmentally compatible recycling facility.</p>	    V A Hz W kg MPa	<p>Water that has passed through the backflow valve cannot be used for drinking.</p> <p>Alternating current</p> <p>Class II tool</p> <p>Warning</p> <p>Volts</p> <p>Amperes</p> <p>Hertz</p> <p>Watts</p> <p>Kilograms</p> <p>Megapascals</p>

## GENERAL POWER TOOL SAFETY WARNINGS

### WARNING

Read all safety warnings and all instructions.

Failure to follow the warnings and instructions may result in electric shock, fire and/or serious injury.

Save all warnings and instructions for future reference.

**1. Make sure the work area is always kept neat and tidy.**

*Failure to observe this may result in accidents.*

**2. Take the surrounding environment into consideration when using the washer.**

- Make sure the work area is brightly lit.
- Do not use the washer near flammable liquid or gas.

**3. Beware of electric shocks.**

*Do not touch anything that is earthed (grounded) when using the High Pressure Washer. (For example, pipes, heaters, microwave ovens, refrigerators, etc.)*

**4. Do not use the washer near children.**

- People other than the person using the washer must not be allowed to touch the washer or the cord.
- People other than the person using the washer must not come near the work area.

**5. Store the washer in a safe place when not in use.**

*Store the washer in a dry, high location or protected with a lock out of the reach of children.*

**6. Do not use the washer in inappropriate ways.**

- Use the High Pressure Washer within the limits of its capabilities to ensure safe and efficient results.
- Do not use the washer for any purpose other than that for which it was designed.

**7. Wear safe clothing when using the washer.**

*Use safety boots, gloves, helmets with visors and earplugs in accordance with necessity.*

**8. Use protective goggles and dust-protection masks when using the washer.**

*There is a chance that splashes and dust may enter the eyes and mouth when using the washer.*

**9. Do not handle the power cord roughly.**

- Do not carry the High Pressure Washer with only the power cord or pull the plug from the socket while holding the power cord.
- Keep the power cord away from heat, oil and sharp corners.

**10. Make sure the item being cleaned is firmly fixed in place.**

*There are cases in which the power of the water pressure will cause light objects to fly off. Do not use the washer on light objects that cannot be fixed in place.*

**11. Maintain a proper stance when using the washer.**

*Make sure your feet are always placed firmly on the ground to maintain balance.*

**12. Pay close attention to maintaining the High Pressure Washer.**

- Clean the washer regularly to ensure safe and efficient use.
- Refer to the instruction manual when replacing supplied parts.
- Regularly check the power cord and ask your dealer for repairs in the event of it being damaged.
- If using an extension cord, check it regularly and replace it in the event of it being damaged.
- Make sure the grip is always kept dry and clean, and do not allow oil of grease to come into contact with it.

**13. Switch off and unplug the High Pressure Washer in the following situations:**

- When it is not in use and when it is being repaired.
- When attaching or detaching supplied or purchased parts.
- In other situations in which risks seem apparent.

**14. Always remove equipment used for adjustment purposes.**

*Check to make sure that all equipment used for adjustment purposes has been removed before switching on the power.*

**15. Avoid accidentally switching on the power.**

- Make sure you do not accidentally switch on the power to the washer when it is plugged in.
- Check to make sure that the washer is switched off before plugging it into the power supply.

**16. Inadequate extension cords can be dangerous.**

**17. Pay attention at all times when using the washer.**

- Pay attention to the methods of use stipulated in the instruction manual and the surrounding environment when using the High Pressure Washer.
- Do not use the washer when tired.

**18. Only use specified accessories and attachments.**

*Using accessories and attachments other than those specified in the instruction manual or in HiKOKI catalogs may result in accidents or injuries and must be avoided at all costs.*

**19. High Pressure Washer repairs to be performed only by experts.**

- The High Pressure Washer conforms to all relevant safety regulations and must not be modified.
- All repairs must be requested to HiKOKI authorized service centers. Attempting to carry out repairs without the correct skills may result in accidents or injuries.

**20. Do not use the machine if a supply cord or important parts of the machine are damaged, e.g. safety devices, high pressure hoses, trigger gun.**

**21. Use a power supply that conforms to the voltage listed on the name plate.**

*Failure to observe this may result in the washer operating at higher speeds than normal, leading to overheating and the outbreak of smoke and fire, which may cause damage or injuries.*

**22. Use an independent power socket with a rated value of 15 A or more.**

*Sharing a power socket with other equipment may result in the breaker shutting down.*

**23. Hold the trigger gun firmly in both hands when using the washer.**

*Failure to observe this may result in injury.*

**24. High-pressure water can be dangerous if used incorrectly.**

*High-pressure water jets must not be directed at people, animals, easily-broken items, electrical equipment or the washer itself.*

**25. Do not use gasoline, oil, organic solvents or other inflammable or toxic liquids, or any other inappropriate liquid.**

*Failure to observe this may result in explosions, the outbreak of fire or smoke, or other accidents, which may cause damage or injury.*

**26. When washing automobile tires, make sure that the tip of the nozzle is kept at least 50cm distant from the surface being washed.**

*Failure to observe this may result in damage to the tire or brakes, which may cause serious accidents.*

27. Do not touch the power plug or power socket with wet hands.

*Failure to observe this may result in electric shocks.*

28. High pressure cleaners shall not be used by children or untrained personnel.

29. Water that has flown through backflow preventers is considered to be non-potable.

*Make sure that a backflow valve is used without fail when connecting the washer to a drinking water faucet.*

*Water that has passed through the backflow valve cannot be used for drinking.*

30. Make sure that water is not splashed onto the High Pressure Washer, power cord, extension cable, power plug, power socket or other areas. Also, neither exposes it to rain nor use it in the rain.

*Failure to observe this may result in electric shocks.*

31. Do not hold the trigger gun when fixing it in place.

32. If the washer is not functioning normally or is emitting strange noises or vibrations switch it off immediately and contact HiKOKI authorized service centers to request inspections or repairs.

*Continued use may result in injury.*

33. If the washer is accidentally dropped or banged into something solid, inspect it for damage, cracks and malformation.

*Failure to observe this may result in injury.*

34. Do not direct the jet against yourself or others in order to clean clothes or foot-wear.

35. Always switch off the mains disconnecting switch when leaving the machine unattended.

#### CAUTION

1. Purge all of the pressure within the washer before disconnecting the high-pressure hose.

2. Attach all supplied accessories correctly in accordance with the instruction manual.

*Failure to observe this may result in the accessories becoming detached or in injury.*

3. Check to make sure that no foreign matter is adhering to the object being washed.

*Failure to observe this may result in the matter flying off and causing unexpected injury.*

4. Do not spray a jet of water at the areas surrounding labels on the object being washed.

*Failure to observe this may result in the labels peeling off.*

5. Grip the handle firmly when carrying the washer.

6. Children should be supervised to ensure that they don't play with the appliance.

## SPECIFICATIONS

Model	AW100
Voltage (by areas)*1	Single-phase AC 50/60 Hz Voltage 220 V to 240 V
Power input*1	1400 W
Max. discharge pressure (1MPa: 10.2 kgf/cm <sup>2</sup> )	7.0 MPa
Max permissible pressure	10.0 MPa
Max feed pressure	0.7 MPa
Max water discharge	5.5 L/min
Permissible temperature	40 °C or less
Water feeding method	Faucet connection type
Dimensions (Length × Width × Depth)	305 mm × 245 mm × 465 mm (Including the handle, power cord holder, gun holder and water feed connector)
Weight*2	5.4 kg

\*1 Be sure to check the nameplate on product as it is subject to change by areas.

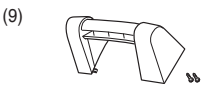
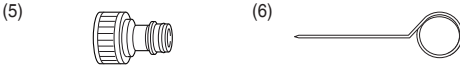
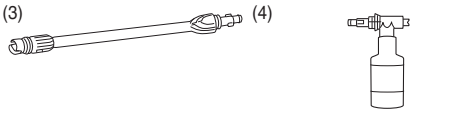
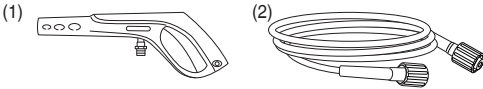
\*2 Weight: Excluding the power cord, weight consists of trigger gun, high-pressure hose, variable nozzle, water feed connector and accessory holder.

---

## STANDARD ACCESSORIES

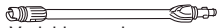
---

- (1) Trigger gun..... 1
- (2) High-pressure hose (5 m)..... 1
- (3) Variable nozzle ..... 1
- (4) Detergent bottle nozzle ..... 1
- (5) Water feed connector..... 1
- (6) Nozzle cleaner pin..... 1
- (7) Cord holder ..... 1
- (8) Gun holder ..... 1
- (9) Handle (with 2 attachment screws) ..... 1

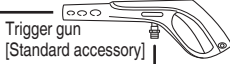


## OPTIONAL ACCESSORIES (sold separately)

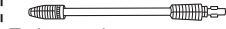
Items shown in [ ] are sold separately. Contact HiKOKI authorized service centers for replacements if the standard accessories become damaged or broken.



Variable nozzle  
[Standard accessory]



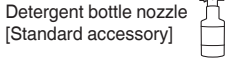
Trigger gun  
[Standard accessory]



Turbo nozzle



High-pressure extension hose (10 m)  
Extends the length of the high-pressure hose supplied.



Detergent bottle nozzle  
[Standard accessory]



Cleaning brush

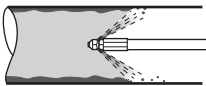


Rotary brush  
The central brush is rotated by water pressure for cleaning the windows and other items with large surfaces.



Angle nozzle (variable)  
Used for cleaning difficult-to-reach places, such as the underneath of cars and ceilings, etc.

Pipe cleaning kit  
(7.5 mm hose)  
High-pressure water jets from the front of the hose are reversed to clean the inside of the pipe.



High-pressure hose  
[Standard accessory]

Water feed connector  
[Standard accessory]



---

## APPLICATIONS

---

- Cleans screen doors, window glass, floors, walls, etc.
- Cleans automobiles, motorbikes, etc.
- Cleans mud off gardening equipment and agricultural equipment.

---

## PRIOR TO OPERATION

---

### 1. Installation of an earth leakage circuit breaker

It is recommended that an earth leakage circuit breaker is connected to the washer to shut off the power if leaking current exceeds 30 mA for 30 milliseconds in order to prevent electric shocks.

### 2. Keep the work area neat and tidy

Dirty water will be sprayed about when using the washer. It is therefore necessary to check the area to make sure there are no hindrances, and keep the work area neat and tidy.

### 3. Situating the washer

Select flat locations where the washer will not be splashed with water when cleaning.

### 4. Using extension cords

Make sure the cord is thick enough to provide a constant supply of electricity, and use cords that are as short as possible.

Acceptable cord thicknesses (Nominal cross sectional area cable) and cord length are indicated in the table below.

Cord Thickness (mm <sup>2</sup> )	Cord Length (m)
1	12.5
1.5	20
2.5	30

### 5. Prepare a water feed hose (Fig. 1)

Prepare the following when using water feed hoses:

- Hoses that can withstand pressure (equipped with meshes)
- Hoses with an inner diameter of 14 to 15 mm.
- Hoses with an outer diameter of 20 mm or less.

### 6. Attaching the holder (Fig. 2)

Align the grooves on the cord holder and gun holder with the protrusion on the washer and push until they click into place.

### 7. Attaching the handle (Fig. 3)

Align the handle with the groove on the washer and then firmly tighten both screws with a Phillips screwdriver.

---

## INSPECTIONS PRIOR TO USE

---

### WARNING

Check the following before using the washer. Check the items listed in 1 and 2 before plugging into the power socket.

### 1. Check to make sure the switch is at the "OFF" position (Fig. 4)

Plugging the washer into the power socket with the switch set at "ON" will cause the washer to immediately begin operating, which may result in unexpected injuries.

### 2. Check the power supply

Only use a rated voltage.

Do not use motor engines are direct current. Failure to observe this will not only result in damage to the washer, it is also very dangerous.

### 3. Check the power socket

If the power socket is loose or the plug is easily dislodged, it needs to be repaired.

It is dangerous to use it in this condition. Consult with your local electrical engineering outlet.

---

## ATTACHING PARTS

---

Make sure all parts are correctly attached in the following sequence in order to guarantee safe usage.

### WARNING

Switch off the washer and disconnect it from the power socket without fail to prevent unexpected accidents.

### 1. Attach the water feed connector to the water feed inlet on the washer (Fig. 5)

Remove the cap on the washer's water feed inlet and firmly attach the water feed connector.

Loose connections may result in water leaks.

### 2. Attaching the high-pressure hose to the washer's water outlet (Fig. 6)

Both ends of the high-pressure hose have the same configuration, so either end may be connected.

Remove the water outlet cap from the washer, insert the high-pressure hose into the water outlet and then rotate the high-pressure hose ring to fix it in place.

### NOTE

- Moisten the O-ring with water if it is difficult to insert the hose.
- If it is not possible to tighten the ring, it means that the high-pressure hose has not been inserted far enough.

### 3. Attach the high-pressure hose to the trigger gun. (Fig. 7)

Grip the thick end of the high-pressure hose, insert it into the connector on the trigger gun, and then rotate the ring on the hose to fix it in place.

### NOTE

- Moisten the O-ring with water to facilitate the connection if it is difficult to insert the hose.
- If the ring cannot be tightened, it means that the end of the high-pressure hose has not been sufficient inserted.

### 4. Attach the nozzle to the trigger gun.

<Attachment (Fig. 8)>

- (1) Align the protrusion on the nozzle with the entry hole on the trigger gun and press it into place.

### NOTE

- Remove all dirt, mud and other matter from the trigger gun's entry hole and the protrusion on the nozzle.
  - Moisten the O-ring with water to facilitate the connection if it is difficult to insert the nozzle.
- (2) Press down firmly on the nozzle and then rotate it in the direction of the arrow until it stops (half rotation.)
  - (3) Check to make sure that the nozzle cannot be pulled out once it has been attached.

<Detachment (Fig. 9)>

Press down firmly on the nozzle and then rotate it counter-clockwise until it stops. The nozzle can be withdrawn at that position.

---

## USING DIFFERENT NOZZLES

---

### Variable nozzle (Fig. 10)

The variable nozzle can be used to alternation between "Jet" and "Spray".

Rotate the end on the nozzle clockwise for "Jet", and counter-clockwise for "Spray".

- **Jet washer**

A water jet is discharged in a direct line to remove stubborn mud and other dirt from agricultural machinery, etc.

- **Spray washer**

The water is discharged in a wide fan for cleaning walls, motorbikes and automobiles, etc.

The entire nozzle can be rotated by approximately 90 degrees to change the shape of the spray between horizontal and vertical.

**NOTE**

- Set the spray adjustment to “Jet” first of all, and then gradually move it to the “Spray” position while pulling the trigger.

Note that there is a chance of the water being sprayed horizontally over a wide area if this is rotated fully to the “Spray” position.

- Note that the nozzle may be damaged if it is forced to move past the stop position when alternating between “Jet” and “Spray”.

**Detergent bottle nozzle (Fig. 11 and 12)**

Sprays water mixed with detergent.  
Uses neutral detergents available on the open market.

- (1) Insert the water feed pipe into the detergent nozzle.
- (2) Pour an undiluted neutral detergent into the bottle and then screw the bottle onto the detergent nozzle.
- (3) Attaching and removing the detergent bottle nozzle is the same as explained for other nozzles.  
When inserting the detergent bottle, make sure that the trigger gun is pointing in the direction shown in the illustration on the right.

- (4) Aim the detergent nozzle at the article to be washed and pull the trigger on the trigger gun to spray a mixture of water and detergent at low pressure.

**WARNING**

Do not use acidic or alkali detergents. Use only neutral detergents available on the open market.

Using detergents other than neutral detergents or chemical agents may result in accidents or malfunctions.

**NOTE**

Moisten the O-ring with water if it is difficult to insert the nozzle.

---

**WASHING**

**WARNING**

- Do not switch the washer on while the trigger is being pulled.  
Failure to observe this may result in high-pressure water being sprayed immediately, leading to unexpected accidents.

- Do not point the nozzle at people or animals.  
Failure to observe this may result in injury.

**CAUTION**

- Set the switch to “OFF” immediately if the hose becomes detached from the faucet or washer, and if water is no longer being fed to the washer.  
Failure to observe this may result in immediate malfunctions (dry operations.)

- Set the switch to “OFF” without fail when temporarily suspending operations.  
Failure to observe this may result in the motor automatically starting up.

- Place your finger in the center of the trigger during operations (**Fig. 13**)  
Failure to observe this may result in injury from pinched fingers.  
Grip the gun and nozzle firmly with both hands.

- The trigger gun may kick back when water is discharged.

**NOTE**

- Do not use the water hose when it is wound onto the reel.  
Failure to observe this may result in insufficient water feed.
- Commence initial washing approximately 2 to 3 meters away from the targeted item, and then move gradually closer while checking the level of cleaning until you reach a distance in which soiling is effectively washed away.

The pressure of the spray from the washer is approximately 20-times greater than tap water. High-pressure water jets may therefore damage or peel the coating from the items being washed.

- There are cases when the water spray will appear unstable owing to the fact that air that has built up in the pump and hose is purged together with the water immediately after use. In this event, allow the water to flow out until it stabilizes.

- Leave two or more seconds gap between pulling and releasing the trigger.  
Failure to observe this may result in the pressure switch malfunctions.

- Do not use the washer for more than thirty consecutive minutes without giving it a break.

**1. Open the faucet to its fullest.**

Point the nozzle in a safe direction and then fully open the faucet. Check to make sure no water is leaking from the joints.

Release the trigger stopper with the washer switched off, pull the trigger on the trigger gun to discharge a small amount of water from the nozzle with just the pressure from the tap water. Check to make sure that no water is leaking.

**NOTE**

Do not switch the washer on with the faucet turned off.  
Failure to observe this may result in malfunctions.

**2. Set the switch to the “ON” position (Fig. 14)**

The motor will start operating when the washer is switched on. The motor will automatically switch off once sufficient water pressure has built up inside the washer.

**3. Pull the trigger (Fig. 15)**

Hold the trigger gun firmly in both hands, point the nozzle at the item to be washed, and then pull the trigger.

The high-pressure water jet will spray out.

Adjust the nozzle between “Jet” and “Spray” in accordance with need.

**Trigger stopper (Fig. 16)**

The trigger gun is fitted with a trigger stopper to prevent the trigger from being pulled.

The trigger is locked and released by pressing the stopper in the direction shown by the arrows.

**NOTE**

Lock the trigger with the trigger stopper during pauses and after washing has been completed.

---

**ON COMPLETION OF USE**

Once the targeted item has been washed, drain the residual water from the washer and store it in a well-ventilated location to dry.

There are cases in which water left in the hose may freeze during the winter, so drain as much water as possible and store it indoors.

## WARNING

Make sure all residual water is drained from the washer, the trigger gun and the hose, etc., after use. Failure to observe this may result in freezing, leading to malfunctions.

### 1. Draining water from the washer

- (1) Stop the water supply.
- (2) Set the switch to "ON" and pull the trigger on the trigger gun to drain the water from the inside of the washer. Continue this until water is no longer discharged (approximately 30 to 60 seconds.)
- (3) Press the trigger stopper on the trigger gun to lock it in place.

### 2. Set the switch to "OFF".

- (1) Switch off the washer.
- (2) Unplug the power cord from the mains socket.

## NOTE

Leaving the washer switched on may result in dry operations, leading to malfunctions.

### 3. Removing the high-pressure hose (Fig. 17)

- (1) Loosen the ring.
- (2) Remove the high-pressure hose from the washer's water outlet.
- (3) Drain all residual water from the high-pressure hose.

### 4. Drain the water from the washer (Fig. 18)

- (1) Tilt the washer to drain out the residual water.
- (2) Wipe away all moisture with a dry cloth.

## CAUTION

Water left in the washer may freeze in the winter, which could result in damage to the pump.

---

## SAFETY MECHANISMS

---

The washer is equipped with the following safety mechanisms to ensure safe usage.

### Power switch

This prevents the washer from being unintentionally operated.

### Trigger gun equipped with a lock

This prevents the trigger from being pulled, unintentionally operating the washer.

### Pressure switch

This prevents the pressure inside the washer from exceeding permissible levels. Releasing the lever on the trigger gun causes the valve operated by water pressure to halt pump operations, which allows the pressure to be released through the water feed. The pump is started again when the lever is pulled.

### Thermal protector

This protects the motor by halting operations when abnormal heat is detected in the motor. It will start operating again when the motor cools down.

---

## MAINTENANCE AND INSPECTION

---

## WARNING

Switch off the washer and disconnect the plug from the power socket without fail when inspecting and cleaning it.

### 1. Inspecting the washer and hoses (Fig. 19)

Check to make sure that there is no damage, cracks or malformations.

Make sure you clean the hole on the nozzle with the nozzle cleaner pin supplied on a regular basis.

## NOTE

Detach the trigger gun and clean the nozzle hole.

### 2. Inspecting the strainer (Fig. 20)

Wash all blockages out of the grid with water on a regular basis.

## NOTE

Withdraw the strainer from the water feed inlet with the use of flat radio pliers.

### 3. Clean the washer

Squeeze the excess moisture from a cloth soaked in soap and water and wipe the washer.

Do not use gasoline, thinner, benzene, kerosene, etc. Failure to observe this may result in malformations.

### 4. Check for loose screws.

Check for loose screws on a regular basis and tighten any screws that are loose. Failure to observe this could be dangerous.

### 5. Tidying up and storing the washer after use (Fig. 21)

The accessories can be stored inside the washer as shown in Fig. 21 when not in use and when being carried around.

Avoid the following environments and store the washer and accessories in a safe, dry location when not in use.

- Do not store within the reach of children, or in locations where children can use it.
- Do not store in location where rain can reach it, such as in front of the house, or in locations with high humidity.
- Do not store in locations that are subject to drastic changes in temperature or direct sunlight.
- Do not store in locations containing volatile substances that may ignite or explode.

### 6. Replacing supply cord

If the replacement of the supply cord is necessary, it has to be done by a HiKOKI Authorized Service Center to avoid a safety hazard.

### 7. Service parts list

## CAUTION

Repair, modification and inspection of HiKOKI Power Tools must be carried out by a HiKOKI Authorized Service Center.

This Parts List will be helpful if presented with the tool to the HiKOKI Authorized Service Center when requesting repair or other maintenance.

In the operation and maintenance of power tools, the safety regulations and standards prescribed in each country must be observed.

## MODIFICATIONS

HiKOKI Power Tools are constantly being improved and modified to incorporate the latest technological advancements.

Accordingly, some parts may be changed without prior notice.

## TROUBLESHOOTING

Use the inspections in the table below if the tool does not operate normally. If this does not remedy the problem, consult your dealer or the HiKOKI Authorized Service Center.

Symptom	Possible cause	Remedy
The motor won't operate when the trigger is pulled.	The power plug is not plugged into the power socket.	Plug the power cord into the power socket.
	The switch is set at "OFF"	Switch the washer on.
	The extension cord is unplugged or severed midway.	Replace the extension cord or check it with a different electrical appliance.
	The thermal protector has been activated.	Remedy the problem in accordance with the details listed in "Safety Mechanisms" on page 16.
The motor continues operating when the trigger is released.	The water volume or pressure from the faucet is too low.	<ul style="list-style-type: none"> <li><input type="radio"/> Open the faucet fully.</li> <li><input type="radio"/> Unravel any twists in the water hose and high-pressure hose.</li> <li><input type="radio"/> Check to make sure that the inner diameter of the water hose is correct.</li> <li><input type="radio"/> Check to make sure that the water hose is not wound onto the reel.</li> </ul>
	Water is leaking.	Check the hose connections.
Water is not being discharged.	The water hose is not connected.	Connect the water hose.
	The water hose or high-pressure hose is twisted.	Unravel the twists.
	The backflow valve on the one-touch joint is not operating.	Check to make sure that the inner diameter of the water hose is correct.
	The trigger stopper is locked.	Remedy the problem in accordance with the details listed in "Trigger Stopper" on page 15.
	The faucet is turned off.	Open the faucet fully.
	The nozzle is blocked.	Clean the end of the nozzle with the nozzle cleaner pin supplied.
	The strainer is blocked.	Wash the strainer, which is incorporated into the water feed inlet, in accordance with the details listed in "Inspecting the Strainer" on page 16.
The water pressure won't rise.	The power plug is not plugged into the power socket.	Plug the power cord into the power socket.
	The switch is set at "OFF".	Switch the washer on.
	The water volume or pressure from the faucet is too low.	<ul style="list-style-type: none"> <li><input type="radio"/> Open the faucet fully.</li> <li><input type="radio"/> Unravel any twists in the water hose and high-pressure hose.</li> <li><input type="radio"/> Check to make sure that the inner diameter of the water hose is correct.</li> <li><input type="radio"/> Check to make sure that the water hose is not wound onto the reel.</li> </ul>
	The nozzle is blocked.	Clean the end of the nozzle with the nozzle cleaner pin supplied.
	The electrical voltage is too low.	Check to make sure that the thickness and length of the extension cord is appropriate.
	Water is leaking.	Check the hose connections.

---

## GUARANTEE

---

We guarantee HiKOKI Power Tools in accordance with statutory/country specific regulation. This guarantee does not cover defects or damage due to misuse, abuse, or normal wear and tear. In case of complaint, please send the Power Tool, undismantled, with the GUARANTEE CERTIFICATE found at the end of this Handling instruction, to a HiKOKI Authorized Service Center.

---

## NOTE

Due to HiKOKI's continuing program of research and development, the specifications herein are subject to change without prior notice.

---

---

## Information concerning airborne noise and vibration

The measured values were determined according to EN60335 and declared in accordance with ISO 4871.

Measured A-weighted sound power level: 92 dB (A)

Measured A-weighted sound pressure level: 77 dB (A)

Uncertainty KpA: 3 dB (A).

Wear hearing protection.

Vibration total values (triax vector sum) determined according to EN60335.

Vibration emission value  $a_h = 1.8 \text{ m/s}^2$

Uncertainty K =  $1.5 \text{ m/s}^2$

---

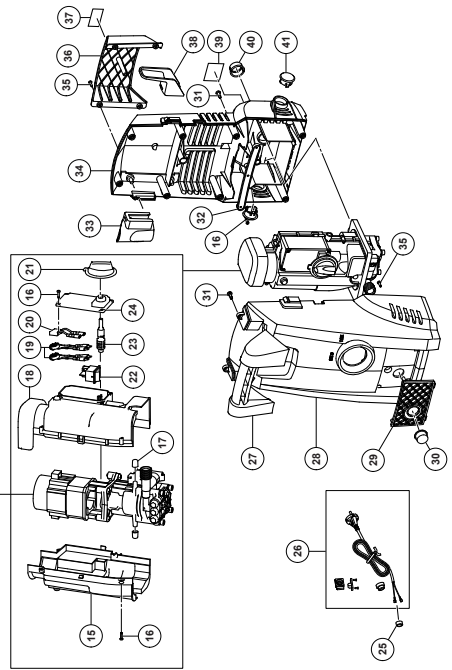
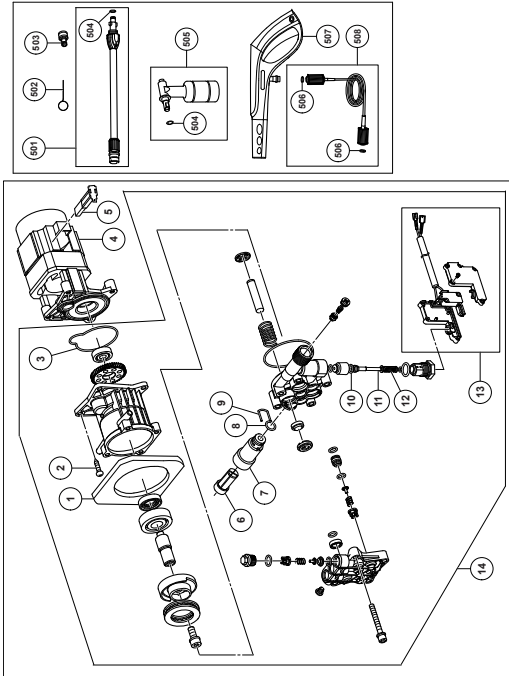
The declared vibration total value has been measured in accordance with a standard test method and may be used for comparing one tool with another.

It may also be used in a preliminary assessment of exposure.

## WARNING

- The vibration emission during actual use of the power tool can differ from the declared total value depending on the ways in which the tool is used.
- Identify safety measures to protect the operator that are based on an estimation of exposure in the actual conditions of use (taking account of all parts of the operating cycle such as the times when the tool is switched off and when it is running idle in addition to the trigger time).

Item No.	Part Name	Q'TY
1	FRONT MOTOR FILTER	1
2	TAPPING SCREW D5.5x20	4
3	SEAL RING	1
4	MOTOR (AW100)	1
5	CARBON BRUSH	2
6	INLET FILTER (MESH)	1
7	INLET PIPE	1
8	O-RING (φ11x2)	1
9	U-PIN	1
10	O-RING (φ9x2)	1
11	VALVE CORE	1
12	SPRING	1
13	MICRO SWITCH CORD ASSY	1
14	PUMP ASSY (P11)	1
15	BACK MOTOR COVER	1
16	TAPPING SCREW D2.9x13	10
17	RUBBER CAP	2
18	FRONT MOTOR COVER	1
19	FERRITE CORE	2
20	CAPACITOR ASSY	1
21	KNOB	1
22	MAIN SWITCH	1
23	SW SHAFT	1
24	SW CAP	1
25	FERRITE CORE	2
26	CORD ASSY	1
27	HANDLE	1
28	FRONT HOUSING	1
29	OUTLET PLATE	1
30	OUTLET COVER	1
31	TAPPING SCREW D4.8x16	10
32	PLATE	1
33	GUN HOLDER	1
34	BACK HOUSING	1
35	TAPPING SCREW D3.5x13F	6
36	ACCESSORIES HOLDER	1
37	CAUTION LABEL	1
38	CORD HOLDER	1
39	NAME PLATE	1
40	INLRT COVER	1
41	WHEEL CAP	2
501	VARIABLE NOZZLE	1
502	NOZZLE CLEANER PIN	1
503	INLET NUT	1
504	O-RING 9x2.62	2
505	BOTTLE	1
506	O-RING	2
507	GUN (A)	1
508	HOSE (A)	1



English

**GUARANTEE CERTIFICATE**

- ① Model No.
- ② Serial No.
- ③ Date of Purchase
- ④ Customer Name and Address
- ⑤ Dealer Name and Address  
(Please stamp dealer name and address)

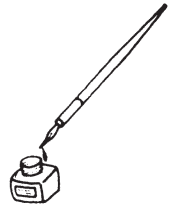


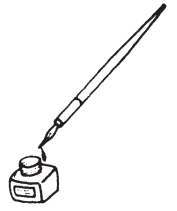
# HIKOKI

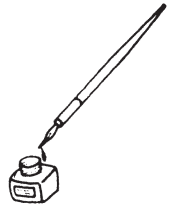
①	
②	
③	
④	
⑤	











# Koki Holdings Co., Ltd.

Shinagawa Intercity Tower A, 15-1, Konan 2-chome,  
Minato-ku, Tokyo, Japan