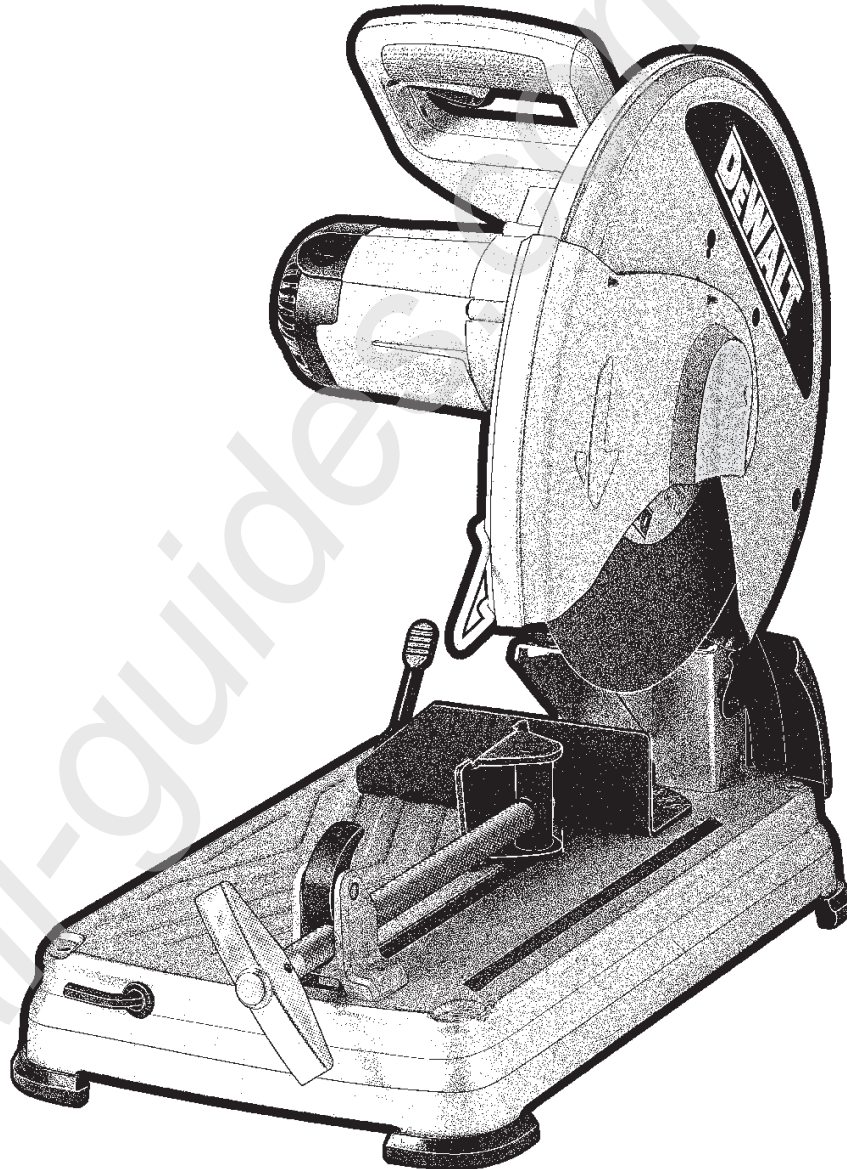


DEWALT®



D28871
D28870

Figure 1

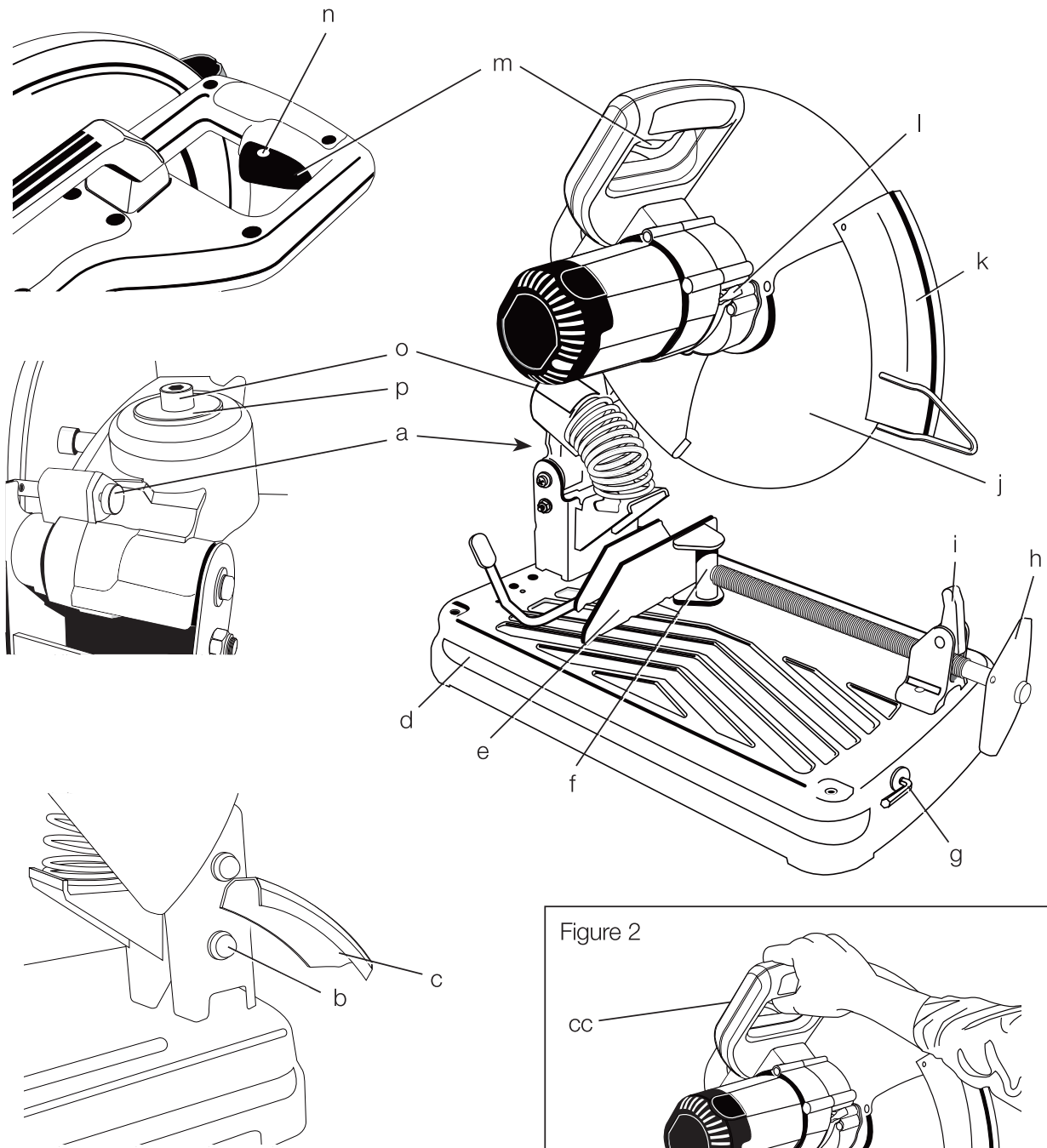


Figure 2

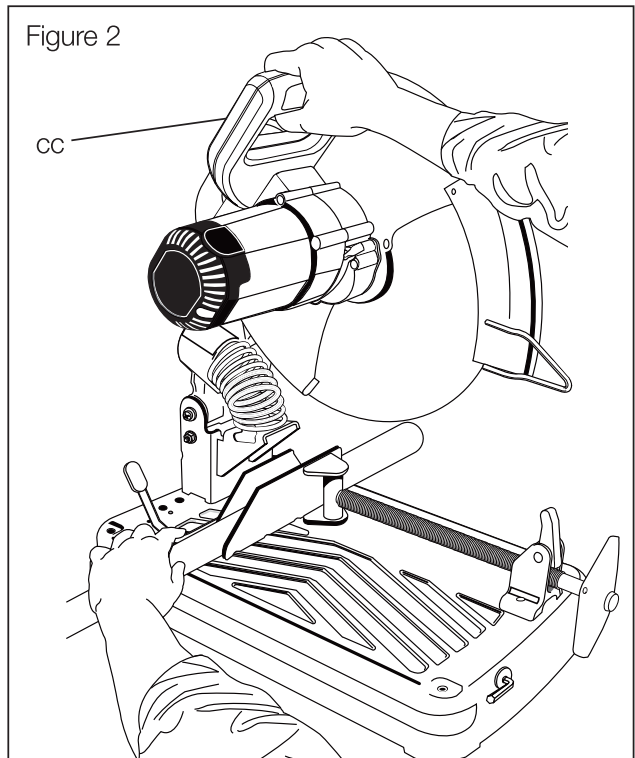


Figure 3

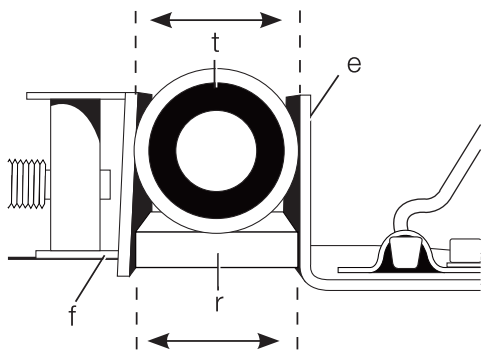


Figure 4

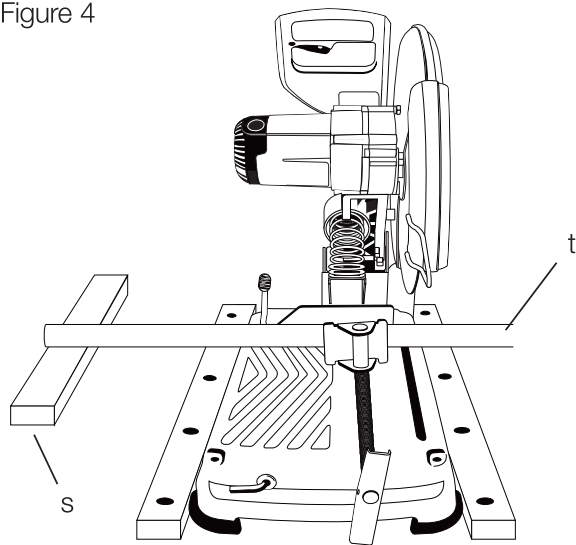


Figure 5

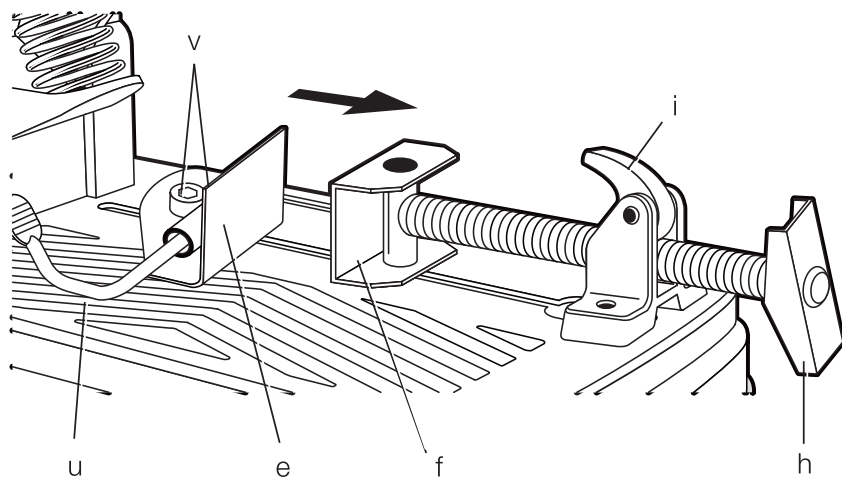


Figure 6

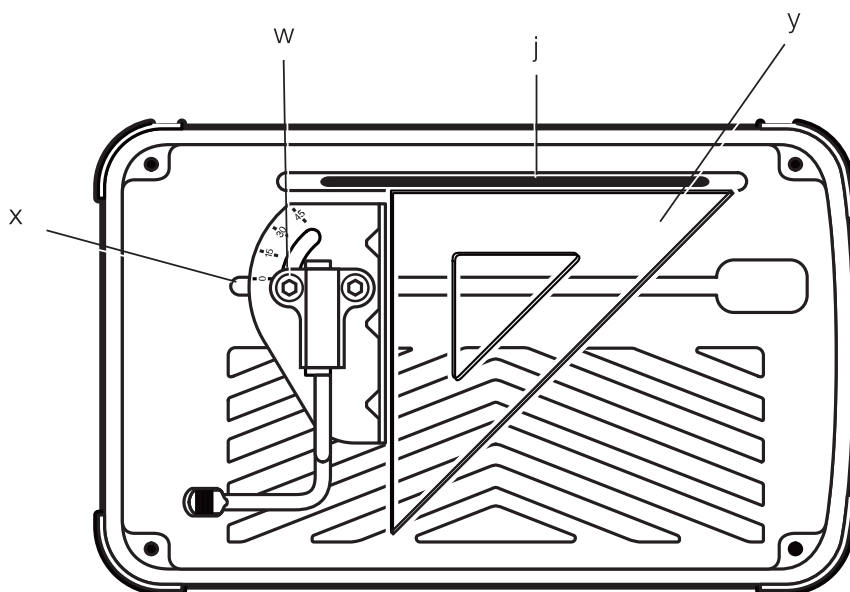


Figure 7

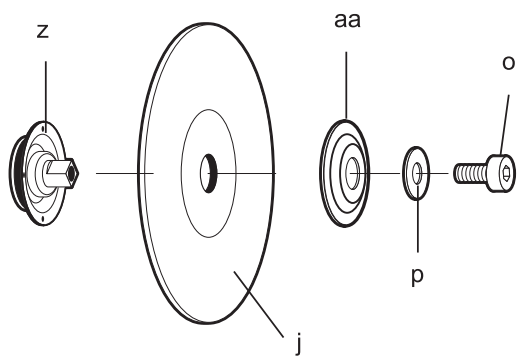


Figure 8

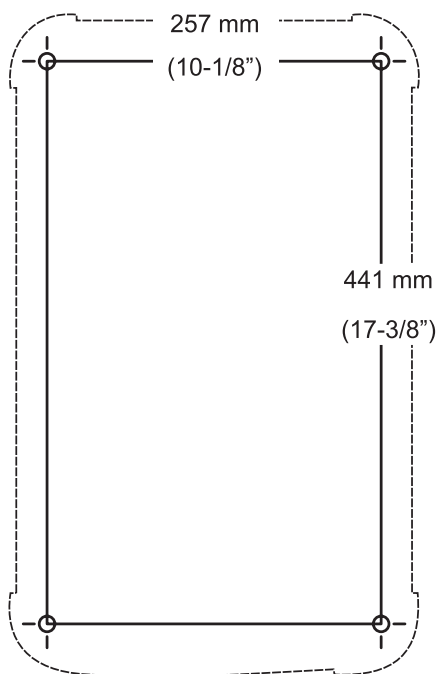
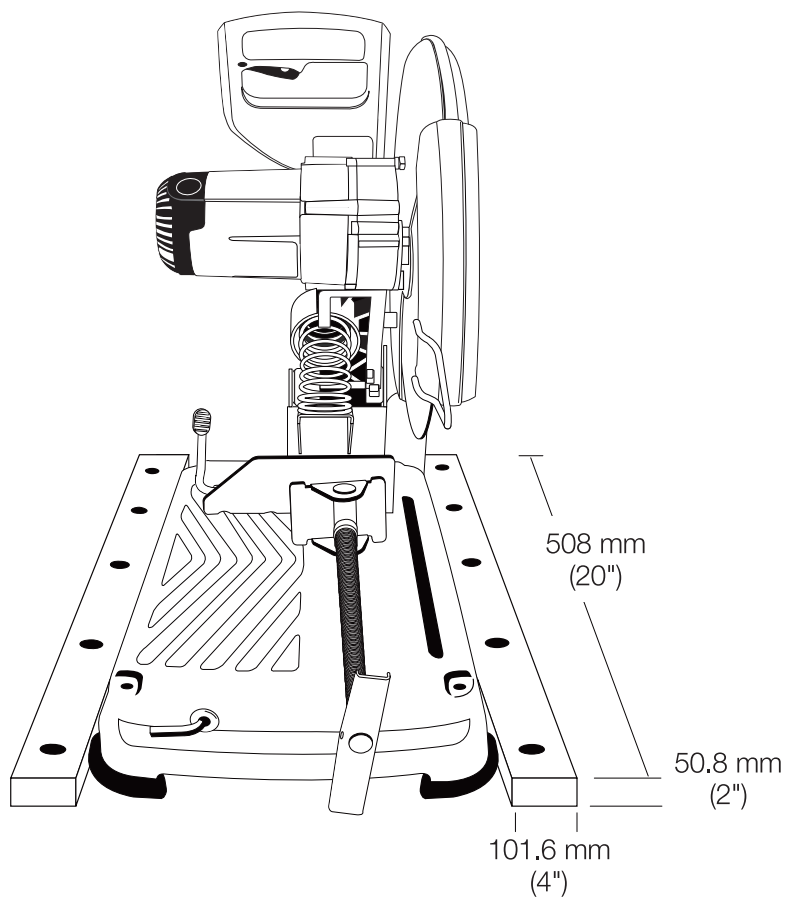


Figure 9



HEAVY-DUTY 355 MM (14") CHOP SAW D28871 / D28870

Congratulations!

You have chosen a DEWALT tool. Years of experience, thorough product development and innovation make DEWALT one of the most reliable partners for professional power tool users.

Technical data

		D28871	D28870
Voltage	V	220-240	220-240
Power Input	W	2,200	2,200
No-load speed	min ⁻¹	3,800	3,800
Min.peripheral speed cutting disc	m/s	80	80
Disc diameter	mm	355	355
Disc bore	mm	25.4	25.4
Disc body thickness	mm	3.1	3.1
Type of cutting disc		straight, non-recessed	
Cross-cutting capacity at 90°			
circular	mm	130	130
square	mm	120 x 120	120 x 120
rectangular	mm	100 x 200	100 x 200
angular	mm	140 x 140	140 x 140
Cross-cutting capacity at 45°			
Circular	mm	130	130
square	mm	110 x 110	110 x 110
rectangular	mm	100 x 140	100 x 140
angular	mm	120 x 120	120 x 120
Weight	kg	18.5	18.5

Definitions: Safety Guidelines

The definitions below describe the level of severity for each signal word. Please read the manual and pay attention to these symbols.



DANGER: Indicates an imminently hazardous situation which, if not avoided, **will** result in **death or serious injury**.



WARNING: Indicates a potentially hazardous situation which, if not avoided, **could** result in **death or serious injury**.



CAUTION: Indicates a potentially hazardous situation which, if not avoided, **may** result in **minor or moderate injury**.

NOTICE: Indicates a practice **not related to personal injury** which, if not avoided, **may** result in **property damage**.



Denotes risk of electric shock.



Denotes risk of fire.



WARNING: To reduce the risk of injury, read the instruction manual.

General Power Tool Safety Warnings



WARNING! Read all safety warnings and all instructions. Failure to follow the warnings and instructions may result in electric shock, fire and/or serious injury.

SAVE ALL WARNINGS AND INSTRUCTIONS FOR FUTURE REFERENCE

The term "power tool" in the warnings refers to your mains-operated (corded) power tool or battery-operated (cordless) power tool.

1) WORK AREA SAFETY

- Keep work area clean and well lit.** Cluttered or dark areas invite accidents.
- Do not operate power tools in explosive atmospheres, such as in the presence of flammable liquids, gases or dust. Power tools create sparks which may ignite the dust or fumes.
- Keep children and bystanders away while operating a power tool.** Distractions can cause you to lose control.

2) ELECTRICAL SAFETY

- Power tool plugs must match the outlet. Never modify the plug in any way. Do not use any adapter plugs with earthed (grounded) power tools.** Unmodified plugs and matching outlets will reduce risk of electric shock.

- b) **Avoid body contact with earthed or grounded surfaces such as pipes, radiators, ranges and refrigerators.** There is an increased risk of electric shock if your body is earthed or grounded.
- c) **Do not expose power tools to rain or wet conditions.** Water entering a power tool will increase the risk of electric shock.
- d) **Do not abuse the cord. Never use the cord for carrying, pulling or unplugging the power tool. Keep cord away from heat, oil, sharp edges or moving parts.** Damaged or entangled cords increase the risk of electric shock.
- e) **When operating a power tool outdoors, use an extension cord suitable for outdoor use.** Use of a cord suitable for outdoor use reduces the risk of electric shock.
- f) **If operating a power tool in a damp location is unavoidable, use a residual current device (RCD) protected supply.** Use of an RCD reduces the risk of electric shock.

3) PERSONAL SAFETY

- a) **Stay alert, watch what you are doing and use common sense when operating a power tool. Do not use a power tool while you are tired or under the influence of drugs, alcohol or medication.** A moment of inattention while operating power tools may result in serious personal injury.
- b) **Use personal protective equipment. Always wear eye protection.** Protective equipment such as dust mask, non-skid safety shoes, hard hat, or hearing protection used for appropriate conditions will reduce personal injuries.
- c) **Prevent unintentional starting. Ensure the switch is in the off position before connecting to power source and/or battery pack, picking up or carrying the tool.** Carrying power tools with your finger on the switch or energising power tools that have the switch on invites accidents.
- d) **Remove any adjusting key or wrench before turning the power tool on.** A wrench or a key left attached to a rotating part of the power tool may result in personal injury.
- e) **Do not overreach. Keep proper footing and balance at all times.** This enables better control of the power tool in unexpected situations.

- f) **Dress properly. Do not wear loose clothing or jewellery. Keep your hair, clothing and gloves away from moving parts.** Loose clothes, jewellery or long hair can be caught in moving parts.
- g) **If devices are provided for the connection of dust extraction and collection facilities, ensure these are connected and properly used.** Use of dust collection can reduce dust-related hazards.

4) POWER TOOL USE AND CARE

- a) **Do not force the power tool. Use the correct power tool for your application.** The correct power tool will do the job better and safer at the rate for which it was designed.
- b) **Do not use the power tool if the switch does not turn it on and off.** Any power tool that cannot be controlled with the switch is dangerous and must be repaired.
- c) **Disconnect the plug from the power source and/or the battery pack from the power tool before making any adjustments, changing accessories, or storing power tools.** Such preventive safety measures reduce the risk of starting the power tool accidentally.
- d) **Store idle power tools out of the reach of children and do not allow persons unfamiliar with the power tool or these instructions to operate the power tool.** Power tools are dangerous in the hands of untrained users.
- e) **Maintain power tools. Check for misalignment or binding of moving parts, breakage of parts and any other condition that may affect the power tool's operation. If damaged, have the power tool repaired before use.** Many accidents are caused by poorly maintained power tools.
- f) **Keep cutting tools sharp and clean.** Properly maintained cutting tools with sharp cutting edges are less likely to bind and are easier to control.
- g) **Use the power tool, accessories and tool bits etc., in accordance with these instructions taking into account the working conditions and the work to be performed.** Use of the power tool for operations different from those intended could result in a hazardous situation.

5) SERVICE

- a) **Have your power tool serviced by a qualified repair person using only identical replacement parts.** This will ensure that the safety of the power tool is maintained.

Additional Safety Instructions for Chopsaws

- **Always wear proper eye and respiratory protection.**
- **Before using, inspect the cutting wheel for cracks or flaws. If such a crack or flaw is evident, discard the wheel. The wheel should also be inspected whenever you think the tool may have been dropped. Flaws may cause wheel breakage.**
- **When starting the tool with a new or replacement wheel or if you are unsure of the condition of the wheel, hold the tool in a well protected area and let it run for one minute.** If the wheel has an undetected crack or flaw, it should burst in less than one minute. Never start the tool with a person in line with the wheel. This includes the operator.
- **In operation, avoid bouncing the wheel or giving it rough treatment.** If this occurs, stop the tool and inspect the wheel for cracks or flaws.
- Clean your chop saw periodically following the procedure in this manual.
- Do not remove wheel guards or base.
- **ALWAYS USE THE VISE OR SPECIAL FIXTURE TO CLAMP WORK SECURELY.** Other aids such as spring, bar, or C-clamps may be appropriate for certain sizes and shapes of workpiece. Use care in selecting and placing these clamps and make a dry run before making a cut.
- Use only 14" type 1 wheels rated at 4100 rpm or higher.
- Allow cut off parts to cool before handling.
- Do not attempt to cut wood or plastic with this tool.
- **NEVER CUT MAGNESIUM WITH THIS TOOL.**
- Use chop saw in a well-ventilated area.
- Turn chop saw off before removing any pieces from the base.
- **DO NOT CUT ELECTRICALLY LIVE MATERIAL.**
- **Do not use circular saw blades or any other toothed blades with this tool.** Serious injury may result.
- **DO NOT OPERATE THIS TOOL NEAR FLAMMABLE LIQUIDS, GASES OR DUST.** Sparks or hot chips from cutting or arcing motor brushes may ignite combustible materials.

- Warning to ensure that the abrasive cutting-off wheel is correctly fitted and tightened before use including an instruction to run the machine at no-load for 30 s in a safe position, and to stop immediately and replace the cutting-off wheel if there is considerable vibration.
- Do not use the side of the abrasive wheel as a deburring grinder. This will substantially weaken the wheel creating an unsafe condition. The wheel may come apart.



CAUTION: Wear appropriate hearing protection during use. Under some conditions and duration of use, noise from this product may contribute to hearing loss.



CAUTION: Spark deflector will get hot. Avoid touching or adjusting while hot. Keep cordset and materials away from spark deflector.

- **Avoid prolonged contact with dust from power sanding, sawing, grinding, drilling, and other construction activities. Wear protective clothing and wash exposed areas with soap and water.** Allowing dust to get into your mouth, eyes, or lay on the skin may promote absorption of harmful chemicals.

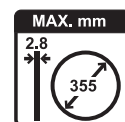


WARNING: Always use NIOSH/ OSHA approved respiratory protection appropriate for the dust exposure. Direct particles away from face and body. For your convenience and safety, the following warnings are on your Heavy-Duty 14" (355mm) Chop Saw:



FOR SAFE OPERATION READ THE INSTRUCTION MANUAL.

- **DO NOT USE TOOTHED BLADES.**
- **USE ONLY REINFORCED WHEELS RATED 4100 RPM OR HIGHER.**
- **WHEN SERVICING USE ONLY IDENTICAL REPLACEMENT PARTS.**
- **ALWAYS: WEAR EYE PROTECTION, USE GUARDS, CLAMP WORK IN VISE, USE PROPER RESPIRATORY PROTECTION.**
- **DO NOT EXPOSE TO RAIN OR USE IN DAMP LOCATIONS.**
- **ONLY USE CHOP SAW WHEEL OF A MAX. THICKNESS OF 2.8MM AND A MAX. DIAMETER OF 355mm.**



Residual Risks

- The following risks are inherent to the use of these machines:
 - Injuries caused by touching the rotating parts.
 - Injuries caused by disruption of the cutting disc.
- These risks are most evident:
 - Within the range of operation.
 - Within the range of the rotating machine parts.
- In spite of the application of the relevant safety regulations and the implementation of safety devices, certain residual risks cannot be avoided. These are:
 - Impairment of hearing.
 - Risk of accidents caused by the uncovered parts of the rotating cutting disc.
 - Risk of injury when changing the disc.
 - Risk of squeezing fingers when opening the guards.

Markings on Tool

The following pictograms are shown on the tool:



Read instruction manual before use.



Wear ear protection.



Wear eye protection.



Bore Diameter.

DATE CODE POSITION

The date code (R), which also includes the year of manufacture, is printed into the housing surface that forms the mounting joint between tool and battery.

Example:

2013 XX XX

Year of Manufacture

Package Contents

The package contains:

- 1 Chop saw
- 1 Hex key
- 1 Instruction manual
- 1 Wheel
- Check for damage to the tool, parts or accessories which may have occurred during transport.
- Take the time to thoroughly read and understand this manual prior to operation.

Description (fig. 1)



WARNING: Never modify the power tool or any part of it. Damage or personal injury could result.

- | | |
|--------------------------|----------------------------|
| a. Lock pin | k. Spark guard |
| b. Spark deflector screw | l. Wheel lock lever |
| c. Spark deflector | m. Trigger switch |
| d. Base | n. Padlock hole |
| e. Fence | o. Extra blade bolt |
| f. Vise | p. Extra blade bolt washer |
| g. 8mm hex wrench | |
| h. Crank | |
| i. Vise lever | |
| j. Wheel | |

INTENDED USE

Your D28871 chop saw has been designed for the cutting of variously shaped steel materials.

DO NOT use under wet conditions or in presence of flammable liquids or gases.

The D28871 chop saw is a professional power tool.

DO NOT let children come into contact with the tool. Supervision is required when inexperienced operators use this tool.

Electrical Safety

The electric motor has been designed for one voltage only. Always check that the power supply corresponds to the voltage on the rating plate.



Your DEWALT tool is double insulated; therefore no earth wire is required.

If the supply cord is damaged, it must be replaced by a specially prepared cord available through the DEWALT service organisation.

Using an Extension Cable

If an extension cable is required, use an approved 3-core extension cable suitable for the power input of this tool (see **Technical Data**). The minimum conductor size is 1.5 mm²; the maximum length is 30 m.

When using a cable reel, always unwind the cable completely.

Connecting to the Mains

The mains supply to be used for this machine must be equipped with a 16 A cut-out fuse with time delay.

Voltage Drops

In rush currents cause short-time voltage drops. Under unfavourable power supply conditions, other equipment may be affected.

If the system impedance of the power supply is lower than 0.11 Ω, disturbances are unlikely to occur.

ASSEMBLY



WARNING: Prior to assembly and adjustment, always unplug the tool.

OPERATION

Instructions for use



WARNING: Always observe the safety instructions and applicable regulations.



WARNING: To reduce the risk of serious personal injury, turn tool off and disconnect tool from power source before making any adjustments or removing/installing attachments or accessories.

Proper Hand Position (fig. 2)



WARNING: To reduce the risk of serious personal injury, **ALWAYS** use proper hand position as shown.



WARNING: To reduce the risk of serious personal injury, **ALWAYS** hold securely in anticipation of a sudden reaction.

Proper hand position requires one hand on the main handle (cc), with the other hand guiding the workpiece.

Soft Start Feature For D28871 only

TIME DELAY RELAY (TDR II)

The soft start feature allows a slow speed run-up over 300 ms to avoid an initial jerk when starting. This feature is also particularly useful when the installed fuse value is too low or not of inert character.

Cutting Capacity

The wide vise opening and high pivot point provide cutting capacity for many large pieces. Use the cutting capacity chart to determine total maximum size of cuts that can be made with a new wheel.



CAUTION: Certain large, circular or irregularly shaped objects may require additional holding means if they cannot be held securely in vise.



CAUTION: Do not cut magnesium with this tool. Damage to the saw and personal injury may result.

To Carry (Fig. 1)

Fold down unit to position where you can carry the saw. Push in lock pin (a) to lock arm down.

Unlocking (Fig. 1)

To unlock tool and raise head, depress motor arm slightly and pull lock pin (a) out. Motor arm will then pivot upward.

Material Clamping and Supporting

- Angles are best clamped and cut with both legs resting against base.
- A spacer block (r) slightly narrower than the workpiece (t) can be used to increase wheel utilization (Fig. 3).
- Long workpieces must be supported by a block (s) so it will be level with top of base (Fig. 4). The cut-off end (t) should be free to fall downward to avoid wheel binding.

Spark Deflector Adjustment (Fig. 1)

To best deflect sparks away from surrounding persons and materials, loosen the screw (b), adjust the spark deflector (c) and then retighten screw.

CAUTION: Risk of property damage. Do not allow cordset to come into contact with deflector or sparks as damage to cordset may occur.

Vise Operation (Fig. 5)

The vise has a quick travel feature. To release the vise (f) when it is clamped tightly, turn the crank (h) counterclockwise one or two times to remove clamping pressure. Lift the vise lever (i) up. Pull crank assembly out as far as desired. The vise may be shoved into work without cranking. Lower vise lever then tighten vise on work by using crank.

Fence Operation (Fig. 5)



WARNING: To reduce the risk of injury, turn unit off and disconnect machine from power source before installing and removing accessories, before adjusting or changing set-ups or when making repairs. Be sure the trigger switch is in the OFF position. An accidental start-up can cause injury.

The fence (e) requires no tools to adjust. The quick release clamp lever (u) unlocks and locks the fence. When the lever is rotated fully forward, the fence is unlocked. The fence can then be freely moved forward, backward or rotated to allow for the best cutting position for a new wheel and as the wheel wears.

Rotating the lever fully to the rear locks the fence in position selected. If the bottom leg of the lever is not horizontal (parallel to the base), the fence is not locked. Lever will only lock fence when there is strong resistance to moving it to rear. If resistance is light, adjust clamping force by tightening slightly the two bolts (v) holding the fence to the base. Test by reclamping and attempt to move fence.

Fence Angle Adjustment (Fig. 6)



WARNING: To reduce the risk of injury, turn unit off and disconnect machine from power source before installing and removing accessories, before adjusting or changing set-ups or when making repairs. Be sure the trigger switch is in the OFF position. An accidental start-up can cause injury.

The angle adjustment indicator (w) is part of fence clamping system. Align the desired angle indicator line with the edge of the slot (x) in base.

FOR A MORE ACCURATE SQUARE CUT

1. Unlock the fence.
2. Push the arm down until the wheel extends into the base.

3. Place a square (y) against the wheel and adjust the fence against the square.
4. Lock the fence into position.

Usage (Fig. 1, 2)

Refer to Figure 2 for proper body positioning during use.

To start the tool, depress the trigger switch (m). To turn the tool off, release the trigger switch. Keep hands and material from wheel until it has coasted to a stop.

To prevent unauthorized use of tool, install a standard padlock (not included) into the padlock hole (n) located in the trigger.

Removal and Installation of Wheels (Fig. 7)



WARNING: To reduce the risk of injury, turn unit off and disconnect machine from power source before installing and removing accessories, before adjusting or changing set-ups or when making repairs. Be sure the trigger switch is in the OFF position. An accidental start-up can cause injury.

Removing and fitting a cutting disc (fig. 7)

- Press and hold down the spindle lock (l).
- Rotate the cutting disc until it locks in flange (Z)
- Using the Allen key (8 mm) located in the holder in the tool base, remove the disc retaining bolt (O) by turning counterclockwise and then remove the flat washer (P) and the outer retaining flange (aa).
- Release the spindle lock (l).
- Replace the cutting disc and secure it with the outer retaining flange (aa) and flat washer (P) and the disc retaining bolt (O).

NOTE: Do not overtighten bolt. An extra blade bolt (o) and blade bolt washer (p) is stored on the back of the motor arm. The bolt and washer must be used together to safely clamp blade.



WARNING: Risk of personal injury. Check the work surface that the chop saw rests on when replacing with a new abrasive wheel. It is possible that

the wheel may contact ANY ITEMS OR STRUCTURE THAT EXTENDS ABOVE work surface (under the base) when the arm is fully lowered.

Mounting (Fig. 8, 9)



CAUTION: Tool must be supported on stable, level, non-skid surface to prevent unexpected movement when operating.

PROCEDURE FOR PERMANENT MOUNTING

1. Drill four holes 8 mm (5/16") through the work surface (Fig. 8).
2. Insert 1/4-20 screws down through the holes in the base and through holes in mounting surface. The approximate length of the screws should be the thickness of the mounting surface plus 102 mm (4").

CRADLE MOUNTING

1. Cut two boards approximately 508 x 50.8 x 101.6 mm (20" long x 2" high x 4") wide.
2. Place chop saw at desired work location.
3. Place boards tightly along side, and nail to work surface (Fig. 9).

Operation Tips for More Accurate Cuts

- Allow the wheel to do the cutting. Excessive force will cause the wheel to glaze reducing cutting efficiency and/or to deflect causing inaccurate cuts.
- Properly adjust fence angle.
- Make sure material is laying flat across base.
- Properly clamp material to avoid movement and vibration.

MAINTENANCE

Your DEWALT power tool has been designed to operate over a long period of time with a minimum of maintenance. Continuous satisfactory operation depends upon proper tool care and regular cleaning.



WARNING: To reduce the risk of injury, turn unit off and disconnect machine from power source before installing and removing accessories, before adjusting or changing set-ups or when making repairs. Be sure the trigger switch is in the OFF position. An accidental start-up can cause injury.

NOTE: Unit may be converted to a three-wire twist lock cord set at an authorized service center.



Lubrication

Closed-type, grease-sealed ball bearings are used throughout. These bearings have sufficient lubrication packed in them at the factory to last the life of the chop saw.



Cleaning



WARNING: Blow dirt and dust out of the main housing with dry air as often as dirt is seen collecting in and around the air vents. Wear ANSI Z87.1 (CAN/CSA Z94.3) approved eye protection when performing this procedure.



CAUTION: When cleaning, use only mild soap and a damp cloth on plastic parts. Many household cleaners contain chemicals which could seriously damage plastic. Also, do not use gasoline, turpentine, lacquer or paint thinner, dry cleaning fluids or similar products which may seriously damage plastic parts. Never let any liquid get inside the tool; never immerse any part of the tool into a liquid.

Optional accessories



WARNING: Since accessories, other than those offered by DEWALT, have not been tested with this product, use of such accessories with this tool could be hazardous. To reduce the risk of injury, only DEWALT, recommended accessories should be used with this product.

Consult your dealer for further information on the appropriate accessories.

Use only high-strength Type 1 organic bonded wheels rated 4100 rpm or higher.

Protecting the environment



Separate collection. This product must not be disposed of with normal household waste.

Should you find one day that your DEWALT product needs replacement, or if it is of no further use to you, do not dispose of it with household waste. Make this product available for separate collection.



Separate collection of used products and packaging allows materials to be recycled and used again. Re-use of recycled materials helps prevent environmental pollution and reduces the demand for raw materials.

Service Information

DEWALT offers a full network of authorized service locations through out India. All DEWALT Service Centers are staffed with trained personnel to provide customers with efficient and reliable power tool service. Whether you need technical advice, repair, or genuine factory replacement parts, contact the DEWALT location nearest to you.

Notes

- DEWALT's policy is one of continuous improvement to our products and, as such, we reserve the right to change product specifications without prior notice.
- Standard equipment and accessories may vary by country.
- Product specifications may differ by country.
- Complete product range may not be available in all countries. Contact your local DEWALT dealers for range availability.



AUTHORISED SERVICE CENTRES

EASTERN REGION

State	Location	ASC Name	P.O. Box & Mail Address	Area Code	Tel	Mobile No.
ASSAM	GUWAHATI	ARUN MACHINE AND TOOLS	A.T.ROAD NEAR RUPSHREE CINEMA, TOKOBARI GUWAHATI, ASSAM	781001	9435118754	9435118754
ASSAM	GUWAHATI	BAGARIA TOOLS AND HARDWARE	NEAR HOTEL VISHWARATNA AT ROAD GUWAHATI, ASSAM	781001	9435011008/9864077172	9435011008/9864077172
ASSAM	GUWAHATI	VINAYAK TOOLS AND MACHINERY	A-1, MANGAL RAM TOWER OPPOSITE POLICE RESERVE, A.T.ROAD GUWAHATI, ASSAM	781001	0361 - 2731558	8811098307
ASSAM	GUWAHATI	VISHWAKARMA ENTERPRISES	R-4, City Trade Center, Punjab National Bank Building, A T Road, Guwahati, ASSAM	781001		9707742197
ASSAM	JORHAT	ASSAM MACHINE TOOLS	GAR-ALI, JORHAT, ASSAM	785001	9435050699	9435050699
ASSAM	TEZPUR	SHYAM MACHINERY AND TOOLS	A.C. PLAZA, N.B.ROAD, TEZPUR, ASSAM	784001	03712-230142	9435081917
ASSAM	TINSUKIA	DURGA INDUSTRIAL STORES	Sovasaria Mansion, Near Indian Bank, State Bank Road, TINSUKIA, ASSAM.	786125		9435527249
BIHAR	GAYA	JAI AMBEY TRADERS	RAMNA ROAD, NEAR RAMA BHAVAN, P.S.-CIVIL LAIN, P.O.- GAYA, BIHAR	823001	9431224989	9431224989
CHATTISGARH	BILASPUR	ASHOK TOOLS AND MACHINERIES	SHOP NO 32, BDA COMPLEX, DAYALBANDH.	495001	07752-434585	9993784585
CHATTISGARH	DURG	VISWAKARMA MACHINERY	SHOP# 17, MAHATMA GANDHI MKT.STATION ROAD, DURG, CHATTISGARH	491001	9827492028	9827492028
CHATTISGARH	RAIGARH	KRISHNA SALES CORPORATION	NEAR MAA RESTAURANT, BY PASS ROAD, DHIMRAPUR CHOWK, RAIGARH, CHATTISGARH	496001		8719977880
CHATTISGARH	RAIGARH	SANJAY ENGINEERING CO	BHAGWANPUR, KHARSIA ROAD	496001	9827400257	9827112880
CHATTISGARH	RAIPUR	SAMRAT CORPORATION	samrat towers, (Opp. Naveen market), Phool chowk, badaipara road	492001	0771-2223242	9827140470
CHATTISGARH	RAIPUR	SHRI SATYAM ENTERPRISES	K K ROAD, MOUDHAPARA	492001		9575199000
JHARKHAND	JAMSHEDPUR	INDUSTRIAL TOOLS & EQUIPMENTS	S ' TYPE CHAWK , MAIN ROAD ADITYAPUR, JAMSHEDPUR WEST BENGAL	831013	0657-2383282	9431348948
JHARKHAND	JAMSHEDPUR	MANGILALL RUNGTA	P.O.JUGSALAI JAMSHEDPUR, JHARKHAND JAMSHEDPUR	831006	0657-423738	9334804626
JHARKHAND	RANCHI	INDUSTRIAL TOOLS AGENCY	DR. FATAULLAH ROAD RANCHI JHARKHAND	834001	0651-2206712	9334706264
ORISSA	BHUBANESWAR	UTKAL POWER TOOLS & SALES	SHOP NO 121, ANAND PLAZA LAKSHMI SAGAR SQUARE BHUBANESHWAR	751006	0674-2571079	9437033867
ORISSA	BHUBANESWAR	SUPREME TOOLS CENTRE	CUTTACK ROAD, KALPANA AREA, APEX MARKET COMPLEX	751006	06742311368	9437001368
ORISSA	CUTTACK	M/S ADITYA TRADE & CO	LINK ROAD, NEAR URBAN BANK, CUTTACK	753012	0671-2332000	9132400000
ORISSA	CUTTACK	HINDUSTAN TRADERS-ORISSA	Bhadrakvati Road, Sanjay Cafe Building, Cuttack	753001	9437029980	9437029980
ORISSA	ROURKELA	SUBHAM ENTERPRISES	NO. 41, TARINGINI MARKET ROURKELA ORISSA	769004	0661-440 1443	9437041443
WEST BENGAL	HOWRAH	CUTWELL TOOLS	BELOW WBESEB OFFICE HOWRAH AMTA ROAD, DASNAGAR HOWRAH, WEST BENGAL	711105	9830057455; 9330034464	9830057455; 9330034464
WEST BENGAL	KOLKATA	BARDIA TRADING CO.	NO. 17, PRINCE STREET KOLKATA WEST BENGAL	700072	033 - 22129722	9831013176; 9831022454
WEST BENGAL	KOLKATA	MACHINERY & TOOLS (INDIA)	24, NETAJI SUBHAS ROAD KOLKATA WEST BENGAL	700001	033-2221-3840	9830052968
WEST BENGAL	KOLKATA	ESKAY CORPORATION	26, N.S.ROAD(NETHAJI SUBAS ROAD) (GROUND FLOOR) KOLKATA	700001	9830154296	9830154296
WEST BENGAL	KOLKATA	PRAKASH TRADING CORPORATION	113-A, MANOHARDAS CHOWK, 2ND FLOOR, ROOM NO. 270	700007	033 22725560	
WEST BENGAL	SILIGURI	Sinhal Brothers & Co.	Sevoke Road, Siliguri (W.B)	734001		9434777777

NORTHERN REGION

State	Location	ASC Name	P.O. Box & Mail Address	Area Code	Tel	Mobile No.
DELHI/NCR	DELHI	JMR TECHSERV INDIA	M-7 1st FLOOR GURU RAM DASS BHAWAN COMMUNITY CENTRE RANJIT NAGAR NEW DELHI	110041	011-45669290	9990119290
DELHI/NCR	DELHI	JYOTI SALES CO	Jyoti Sales & Co., 4073, Kucha Dilwali Singh, Ajmeri Gate, New Delhi	110006	011-43536435	9810330626
DELHI/NCR	FARIDABAD	MAHALAKSHMI TRADING CORPORATION	Plot no 40/66B, Industrial area, (near Raj gas agency) Near Hardware chowk, FARIDABAD	121001	0129-4023814	9811547845
DELHI/NCR	GURGAON	M/S SHRI GANPATI TRADERS	Plot NO:377/24, Model Town (4Marla) Near Gurudwara, Gurgaon-122001 GURGAON	122001	0124 2320088	9871502888
DELHI/NCR	NEW DELHI	VAMSOR ENTERPRISES	SHARDHANAND MARG, , NEW DELHI	110006	011-321 6575	9810989810
DELHI/NCR	NOIDA	SHIVA MACHINERY TOOLS	C-100, SECTOR-9 NOIDA-UTTAR PRADESH	201301	0120-4356062	9811162293
HARYANA	BHIWADI	HARYANA AGENCIES	NEAR ALLAHABAD BANK NH-8 , DELHI-JAIPUR HIGHWAY, BANIPUR CHOWK BAWAL(REWARI)HARYANA	123501	01493-226319	9928508305
HARYANA	GURGAON	BANSAL AGENCIES	469/11, GROUND FLOOR, SUBHASH NAGAR, OLD RAILWAY ROAD, GURGAON	122001	9416065358	9416065358
HIMACHAL PRADESH	BADDI	CHANDAN INDUSTRIES	B.O. OPP. 4 SEASON HOTEL, PINJORE ROAD, NEAR BUS STAND BADDI, HIMACHAL PRADESH	177701	94180-01785	9418001785
JAMMU AND KASHMIR	JAMMU	BHAGWATI SALES CORPORATION	MAIN ROAD, LAST MORTH GANDHI NAGAR , JAMMU	180001	0191-2452718	9419182433
MADHYA PRADESH	BHOPAL	BHOPAL TOOLS	64, HAMIDIA ROAD, BHOPAL- MADHYA PRADESH	462001	0755-2736173	9826335611
MADHYA PRADESH	INDORE	RELIABLE POWER TOOLS	12, JAWAHAR MARG, SHOP NO 9 , 1st FLOOR, SHALIMAR PLAZA, INDORE- MADHYA PRADESH	452007	0731-2366352	9425317352
MADHYA PRADESH	INDORE	BALAJI ENTERPRISES	118, SIYAGANJ MAIN ROAD, INDORE- MADHYA PRADESH	452001	0731-2549374	9302110344
PUNJAB	CHANDIGARH	D.P.JAGAN & SONS	SCO 46-47, SEC.NO-28-C CHANDIGARH, HARYANA	160002	0172-5072717	9876177441
PUNJAB	CHANDIGARH	J.V. MILL AND HARDWARE STORES	418-A , INDUSTRIAL AREA PHASE II RAM DARBAR , CHANDIGARH	160002	0172-2640658	9855443304
PUNJAB	JALANDHAR	FAIRDEAL AGENCIES	NEHRU GARDEN ROAD NEAR AJIT PRESS JALANDHAR	144001	0181-5030304	9814202900
PUNJAB	LUDHIANA	ARNEJA MACHINERY STORE	GILL ROAD LUDHIANA PUNJAB	141003	0161-2537923	9876300375
PUNJAB	LUDHIANA	super electric company	Near, Vishkarma chowk, Opp: Nanda stationeries, Gill road, Millers Ganj, Ludhiana	141003	0161-2530233	9872017474
PUNJAB	PANCHKULA	VIKAS WELD	PLOT NO-257 ,INDUSTRIAL AREA, PHASE- I , PANCHKULA HARYANA	134113	0172-2576437	98216800168
PUNJAB	PHAGWARA	MOHINDRA BROS. OIL CO.	DANA MANDI, PHAGWARA PHAGWARA PHAGWARA	144401	01824 269082	9814533780
RAJASTHAN	AJMER	S. S. AUTO AGCIES	4, KHALAND MARKET, AJMER AJMER	305001	9828053750	9828053750
RAJASTHAN	ALWAR	HARYANA IRON TRADERS	RAM GANJ, ALWAR ALWAR	301001	0144-2700205	9829215175
RAJASTHAN	JAIPUR	ATUL ENTERPRISES	NEAR SIKAR HOTEL HANS MARG, S.C.ROAD JAIPUR, RAJASTHAN	302001	0141-2360327	9829013905
RAJASTHAN	JODHPUR	BHATI HARDWARE HOUSE	OPP-HANWANT SCHOOL PAL ROAD, JODHPUR (RAJ) JODHPUR-342003	342003	0291-277606 / 0291-2770337	9649133544
RAJASTHAN	JODHPUR	SEJAL POWER TOOLS	1ST PAL PULIYA NEAR GOVT SCHOOL MAIN PAL ROAD VILLAGE PAL JODHPUR	342001	0823-3994001	9829294001
RAJASTHAN	JODHPUR	USHA TRADING COMPANY	INSIDE SOJATI GATE, JODHPUR JODHPUR	342001	9829790240	9829790240
RAJASTHAN	SIKANDARA	JAGDAMBA ENTERPRISES	NEAR THANDI PAU KI THADI, Agra Road, Sikandra Chouraya SIKANDARA	303303	9414095522	9414095522
RAJASTHAN	UDAIPUR	M.P.TRADERS	40, NEW KESHAV NAGAR ROOPSAAGAR ROAD UDAIPUR	313001	9414168109	9414168109
UTTAR PRADESH	ALLAHABAD	ASSOCIATED BROTHERS	17 RAM BAGH, ALLAHABAD-UTTAR PRADESH	211003	0532-2418381	9415310663
UTTAR PRADESH	GHAZIABAD	SHARMA ELECTRICALS	1577, VIVEKANAND NAGAR, DOUBLE STORY, GHAZIABAD-UTTAR PRADESH	201001	0120-2702670	8860602092
UTTAR PRADESH	GHAZIABAD	CHANANA BROTHERS	228/6, HAPUR ROAD, GHAZIABAD-UTTAR PRADESH	201001	0120-4115993	9312249307
UTTAR PRADESH	KANPUR	MAGADH INDUSTRIAL COMPANY	123/414-A, GURU NANAK MARKET, GADARIAN PURVA, KANPUR- UTTAR PRADESH	208022	0512-2230545	9415042109
UTTAR PRADESH	KANPUR	VIRAT ENTERPRISES	122/230, SAROJINI NAGAR, KANPUR -UTTAR PRADESH	208012	0512-2221264	9839115747
UTTAR PRADESH	LUCKNOW	YASH ENGINEERING WORKS	83, NAYA GAON EAST (BARROW MARKET) LATOUCH ROAD, LUCKNOW-UTTAR PRADESH	226218	0522-3046252	9415109785
UTTAR PRADESH	LUCKNOW	POWER TOOLS COMMERCE	TALKATORA ROAD, NEAR HARDOI CROSSING, LUCKNOW-UTTAR PRADESH	226017	0522-3296595	9005060000
UTTAR PRADESH	MEERUT	GARG STEEL CENTRE	419, PATEL GANJ, KABARI BAZAR, MEERUT CITY-UTTAR PRADESH	250002	0121-2515926	9837021060
UTTAR PRADESH	SAHARANPUR	PREMIER MACHINERY STORE	VENUS CINEMA BUILDING, RAILWAY ROAD , SAHARANPUR -UTTAR PRADESH	247001	0132-2641663	9837300288
UTTRAKHAND	DEHRADUN	AGGARWAL HARDWARE & TOOLS	SHOP NO. 8, DOON PLAZA, 59 GANDHI ROAD, NEAR PRINCE CHOWK, DEHRADUN,	248001	0135 2722224	
UTTRAKHAND	HARIDWAR	U & D CORP	1243, ARYA NAGAR, KANKHAL- JWALAPUR ROAD, HARIDWAR-UTTRAKHAND	249404	01334-253452	7669055066
UTTRAKHAND	RUDRAPUR	NATIONAL MACHINERY STORES	39, GALLA MANDI, U.S. NAGAR, RUDRAPUR-UTTRAKHAND	263153	05944-243417	9897591984



AUTHORISED SERVICE CENTRES

SOUTHERN REGION

State	Location	ASC Name	P.O. Box & Mail Address	Area Code	Tel	Mobile No.
ANDHRA PRADESH	ANANTHPUR	GENERAL ENGINEERING	# 18-246 ,ROOM NO - 2 PINNI COMPLEX OPP KRISHNA THEATRE, ANANTHPUR, ANDHRA PRADESH	515001	0854-235706	9849388650
ANDHRA PRADESH	HYDERABAD	GAYATHRI INDUSTRIAL CORPORATION	10C, USHODAYA TOWERS, INDUSTRIAL ROAD, SHAPURNAGAR, JEEDEENMTLA, HYDERABAD, ANDHRA PRADESH	500055	040 65964671	9866689671
ANDHRA PRADESH	HYDERABAD	ORIENTAL ENGINEERING CORPORATION	5-2-990 NIZAM SHAHI ROAD, NEAR OSMANGUNJ, HYDERABAD, ANDHRA PRADESH	500095	040 460 0056, 460 5319	9848029996
ANDHRA PRADESH	HYDERABAD	S.V.INDUSTRIAL & MARKETING SERVICES	2-3-64/8, S.NO-1 & 2, SAI POORNIMA OPP-AMBERPET NEW POLICE STATION, HYDERABAD, ANDHRA PRADESH	500013	040-27424828	9391032617
ANDHRA PRADESH	HYDERABAD	SRINIVASA ENTERPRISES	5-5-80,2ND FLOOR, SRI SRINIVASA COMMERCIAL COMPLEX, BESIDE PAO'S HOTEL,RANGUNJ,SECUNDE HYDERABAD, ANDHRA PRADESH	500003	040-66489943	9899039943
ANDHRA PRADESH	HYDERABAD	VRINDAVAN ENTERPRISES	SHOP NO - 113,MEGHANA COMPLEX, OPP- ANDHRA BANK , BALANAGAR HYDERABAD	500037	9346617435	9346617435
ANDHRA PRADESH	HYDERABAD	GANPATI TRADING	10-11-186,Fathenagar, MAIN ROAD	500016	040-64611718	8374679636
ANDHRA PRADESH	HYDERABAD	KUNAL MACHINE TOOLS AND HARDWARE	D NO.5-1-262, JAMBAGH, HYDERABAD	500095	040-66821418	
ANDHRA PRADESH	KAKINADA	LAKSHMI SIVARAM ENTERPRISES	#43-1-48, OPP:IDBI BANK, MAIN ROAD, KAKINADA, BRANCHSARPAWARAM JUNCTION, BESIDE POLICE STATION KAKINADA, ANDHRA PRADESH	533001	9848317859	9848317859
ANDHRA PRADESH	RAJAMUNDY	SRK POWER TOOLS CORPORATION	KISAN MART, INNESPETA, NEAR STATE BANK, OPP.ANDHRA PINDINANTALU, STADIUM ROAD, RAJAHMUNDY	533101	9966644555	9966644555
ANDHRA PRADESH	SECUNDERABAD	SHIV SHAKTI INDUSTRIAL CORPORATION	5-4-187/5, KARBALA MAIDAN, MAHATMA GANDHI ROAD, SECUNDERABAD,	500003	040 - 66332491	8121002491
ANDHRA PRADESH	TIRUPATI	MAHARAJA SPARES	NO. 42 NETHAJI ROAD TIRUPATI	517501	0877 2253426	9440079249
ANDHRA PRADESH	VIJAYAWADA	GOPALAKRISHNA ENGINEERING CO,	DOOR NO 12-6-15, HART STREET, TARAPET, VIJAYAWADA VIJAYAWADA VIJAYAWADA	520001	9848156713	9848066713 /0866 2425942
ANDHRA PRADESH	VISAKHAPATANAM	S B ENTERPRISES	28-16-14 , SURYABAGH VISAKHAPATANAM, ANDHRA PRADESH	530020	0891-2562208 /2569917	9440191723
ANDHRA PRADESH	VISAKHAPATANAM	SRI GANESH HARDWARE & ELECTRICALS	NO. 7-16-73 OLD GAJUWAKA JIN VISAKHAPATANAM, ANDHRA PRADESH	530026	0891 515524	9393100146
KARNATAKA	BANGALORE	HINDUSTAN TOOLS	Shop No.40/3, Dr. Ismail complex, S.P.Road, Bangalore	560002	080-41513796	9844154212
KARNATAKA	BANGALORE	MINI SALES AND TOOLS SERVICE	NO 12,1ST FLOOR,R.K.BUILDING 1ST CROSS, N.R.ROAD BANGALORE, KARNATAKA	560002	9845036264	9845036264
KARNATAKA	BANGALORE	NEW BANGALORE POWER TOOLS	NO-637/4,FRST FLOOR, MUNIVAPPA COMPLEX, OPPL.B.PPETROL BUNK, JALAHALLI CROSS BANGALORE, KARNATAKA	560057	9980013389	9980013389
KARNATAKA	BANGALORE	PATEL TRADING CORPORATION	#85/1, 3rd Cross, 1st Main Road, New Timberyard layout, Mysore Road, Bangalore	560026	8026754572	
KARNATAKA	BANGALORE	VISHAL ENTERPRISES	I FLOOR, NO.5 MANDI VEERAPPA LANE S.J.P. ROAD CROSS BANGALORE, KARNATAKA	560002	080-40903826	9845115289
KARNATAKA	BELGAUM	ABG INDUSTRIAL PRODUCTS	KHANAPUR ROAD UDYAMBAG BELGAUM, KARNATAKA	590008	0831-2441256	9480422522
KARNATAKA	BHATKAL	CITY TOOLS CENTER	ISMAIL COMPLEX, N H-17 MAIN ROAD BHATKAL, KARNATAKA	581320	9448791748	9448791748
KARNATAKA	BIJAPUR	SAGAR ELECTRICALS	SHOP NO. 55 CMC COMPLEX BAGALKOT CROSS BIJAPUR, KARNATAKA	586101	08352-22637	9448440229
KARNATAKA	HUBLI	A B AGENCIES	RAZAK BUILDING, KOPPIKAR ROAD KOPPIKAR ROAD, HUBLI KARNATAKA	580020	0836-2366812	9844027961
KARNATAKA	MANGALORE	LAKSHMI SALES CORPORATION	LAKSHMI TOWERS, MAIN ROAD,KULAI, MANGLORE MANGALORE	574196	0824-2407836	7204342964
KARNATAKA	CALICUT	TOOL TECH INC	DOOR NO. 16/931 & 932B ARADHANA TOURIST HOME, KALLAI ROAD, CALICUT	673002	0495-4025065	
KERALA	ERNAKULAM	TOOL IMPEX	63/835/1, A A TOWERS,NEAR KUMARANAVASAN JN,KALOOR KATHRIKADAVU ROAD	682017	9061837111	974743890
KERALA	KOCHI	POWERTOOL ENTERPRISES	44/2133E, FREEDOM ROAD KALOOR KOCHI, KERALA	682017	0484-4047593	9895405593
KERALA	KOCHI	TOOL WORLD	44/2708C KARUKAPPILLY DESHABHIMANI ROAD KOCHI,KERALA	682017	0484-3295546/2409745	9388485397
KERALA	KOCHI	VINDIA ENTERPRISES	39/3686, RAVIPURAM ROAD ERNAKULAM, KOCHI, KERALA	682016	0484-2356924	9847219831
KERALA	KOCHI	UNIVERSAL TOOLS AND ABRASIVES	29/1349-B&B1, B C G CITY GATE, S A ROAD, VYTILLA, KOCHI	682019	0484-2305480	9447089519
KERALA	KOTHAMANGALAM	JAMSAS TRADELINKS PRIVATE LTD	IX/529 D,FORSQARE, THRIKKARAYOOR, NELLIKUZHI ROAD, ERNAKULAM DISTRIC, KOTHAMANGALAM	686692	0485-2828520	9847010591
KERALA	MALLAPURAM	KOLAR MILL STORES PVT. LTD.	18/1819 KOLAR BUILDINGS OPP POLICE STATION, UP HILL, P.O MALLAPURAM	676505	0483-2730603	9447136306
KERALA	THRISSUR	TOOL MEC	XII/689/27, MARS COMPLEX POOTHOLE ROAD THRISSUR, KERALA	680004	0487-2389739	9895757185
KERALA	TRIVANDRUM	VIZHINJAM POWER TOOLS	SARHAN BUILDING, ARYASALAI TRIVANDRUM	695036	0471-6050001	9562606201
TAMIL NADU	CHENNAI	CHENNAI POWER TOOLS AND ELECTRICALS	NO-648 , 1st Floor, MTH Road MANNURPET PADI CHENNAI	600050	044-26251663	9841402911
TAMIL NADU	CHENNAI	K.S.ENGINEERING EQUIPMENTS	16, TRUNK ROAD, POONAMALLEE CHENNAI	600056	044 - 26492223	9840986541
TAMIL NADU	CHENNAI	ROYAL TOOLS AGENCIES	Old.No.11, New.No.21, ERRABAW CHETTY ST, PARRYS CHENNAI	600001	044 - 25212150/25212160	9884176366
TAMIL NADU	CHENNAI	PROFESSIONAL POWER TOOLS SALES &SERVICE	NO 77/155, BROADWAY CHENNAI CHENNAI	600108	044-64555872	9094004387
TAMIL NADU	CHENNAI	SHRIMMA POWER TOOLS	NO. 13, OLD MAHABALIPURAM ROAD KANDANCHAVADI, CHENNAI, CHENNAI, TAMIL NADU	600096	044-64534203	9884489709
TAMIL NADU	CHENNAI	SRI KATHYAYENI ENTERPRISES	H-24, CENTRAL AVENUE KORATTUR CHENNAI, TAMIL NADU	600080	044 - 26873550 /42878495	9841810789
TAMIL NADU	Chennai	THOMAS ENTERPRISES	1/23, Kamatchi Nagar, vanagaram, Chennai	600095	044-24767133	9444463310
TAMIL NADU	COIMBATORE	AARDWOLF ENGINEERING CO.	NO. 180 A/9, DR. NANJAPPA ROAD NSP COMPLEX, COIMBATORE COIMBATORE, TAMIL NADU	641018	0422 - 2301884 / 2380974	9363101650
TAMIL NADU	COIMBATORE	ORIENT EQUIPMENT & SERVICES	P.B. NO. 3795, SHOP NO G-5, V. R. ARCADE 295, DR. NANJAPPA ROAD COIMBATORE, TAMIL NADU	641018	0422 - 2236432 /2238507	9842265222
TAMIL NADU	HOSUR	BANU TOOLS	PLOT NO 7 , AMARAVATHI TOWERS VASAVI STREET,NEAR KVB BANK , NH 7, BYE PASS ROAD, HOSUR	635109	04344 - 242102	9443242102
TAMIL NADU	MADURAI	SANKER SALES CORPORATION	NO. 270, WEST MASI STREET MADURAI TAMIL NADU	625001	0452 - 2341803	9345275715
TAMIL NADU	Madurai	SRI CHELLAM TOOLS	166C NORTH VELI STREET Madurai Madurai	625001	04524-4504200	8608235181
TAMIL NADU	SALEM	SRI ANDAL AGENCIES	47/10E DEVANGAPURAM EXTN ST SHEVAPET, SALEM	636002	0427 2223718	9362755919
TAMIL NADU	TRICHY	SRI ANDAL POWER TOOLS	NO.5A, II FLOOR, KASTHURI COMPLEX, CHAN BAZAR, MADURAI ROAD CORNER, TRICHY, TAMILNADU	620008	0431 4544271	9944262656
TAMIL NADU	TUTICORN	BLESSON TRADERS	NO.15, DEVARPURAM ROAD, TUTICORN	628003	9842833401	9842833401
TELANGANA	SECUNDERABAD	RAMAN TRADING COMPANY	SHOP NO.3,GAYATRI COMMERCIAL COMPLE, LALATEMPLE SREET,RANIGUNJ,SECUNDERABAD	500003	9391052709	9391052709



AUTHORISED SERVICE CENTRES

WESTERN REGION

State	Location	ASC Name	P.O. Box & Mail Address	Area Code	Tel	Mobile No.
GOA	MARGAO	ZARO TOOLS ENTERPRISES	Luis Miranda Road, Margao	403604	0832 - 2714773	9370275782
GOA	PANJIM	MECH-TECH ENGINEERING SYSTEMS	G-2, EMERALD TOWERS, M.G. ROAD OPP STATE BANK ZONAL OFFICE, PANJIM, GOA	403001	0832-2223601	9822129221
GOA	PONDA	ESSAR SALES AND SERVICES	G-10, KURTARKAR COMMERCIAL ARCADE, KAZIWADA, PONDA, GOA	403401	0832 - 2312514	9432060452
GUJARAT	AHMEDABAD	RUSHABH TRADERS	MIRA CHEMBER, OPP SYNDICATE BANK KADIA KUJ, RELIEF ROAD AHMEDABAD	380001	079 22180265	9327070493
GUJARAT	AHMEDABAD	SHIVAM SALES & SERVICE	Shop No.7 GF, Mira Mangal Apt., Opp. Uday Tenament, Times Of India Road, Satellite, Ahmedabad	380051	079-69501111	9723267626
GUJARAT	AHMEDABAD	SHREE MARUTI TOOLS	B/5, NEW SHIKRIPA APARTMENT OPP, AGIYARAS MATA MANDIR, NAVA AHMEDABAD, GUJARAT	380013	079-76435807...	9724313764
GUJARAT	AHMEDABAD	GITANJALI TRADERS	LAXMI NAGAR CORNER OPP-GANGOTRI HOTEL, NH NO 8 MARODA, AHMEDABAD, GUJARAT	382330	079-22801346	9898555610
GUJARAT	AHMEDABAD	SHREE GANESH SALES & SERVICE	E/21, MIRA MANGAL APARTMENTS OPP: UDAY SOC TIMES OF INDIA ROAD, VEJALPUR, SATELLITE, AHMEDABAD	380051	079 - 40320976	9925013976
GUJARAT	ANAND	VIGOUR MARKETING	SUBHASH ROAD, ANAND (GUJARAT)	388001	9825282655	9924378564
GUJARAT	BARDDOLI	VON ENTERPRISE PVT LTD	201, 1ST FLOOR, M.G ROAD DARSHAN APARTMENT, BARDDOLI	394601	0262 - 2236250	8690090022
GUJARAT	BHARUCH	METRO TOOLS	2/15, MUNSHI COMPLEX, NEAR MUSLIM SOCIETY, JAMBUSAR BYPASS ROAD, BHARUCH	392001	9033141400	9033141400
GUJARAT	HALOL	CHAMPION TRADING COMPANY	OPP. GIDC COLONY, GIDC ESTATE, HALOL, DIST. PANCHMAHALS	389351	02676-223404	9898094555
GUJARAT	RAJKOT	JAY ENTERPRISE	Dhebar Road, Near Ashok Guest House, RAJKOT	360001	0281 - 2236235	982456452
GUJARAT	SILVASSA	INDIA TOOLS CENTRE	NO.8, Silver Point, OPP: TO DCI BANK, Silvassa - Vapi Main Road SILVASSA	396230	9377304750	9377304750
GUJARAT	SURAT	NATIONAL POWER TOOLS (SURAT)	HG41-42, RUSHABH TOWERS, Near Jain Temple, Adajan Patla Rander Road, Surat	395009	0261-2788227	9825297078
GUJARAT	SURAT	SOHAM REPAIRING CENTER	11, PAMESHWAR SOCIETY, BESIDE RUDRAKSH RESIDENCE, KAPODRA CROSSING, VARUCHA ROAD SURAT	395006	9898231287	9898231287
GUJARAT	SURAT	VIKRAM ENGINEERS	M.G.ROAD, NO-4, SANGHVI HOUSE UDYOGNAGAR UDHAHA	394210	0261 - 2274025	9427137657
GUJARAT	SURAT	SHREE ENTERPRISES	2019, VAIBHAV COMPLEX, NEAR RUPALI NAHER, BHATAR ROAD, SURAT	395006	98791 87370	98791 87370
GUJARAT	VADODARA	AMBCA TRADERS	749/3/2/3, GIDC, OPP. HINDUSTAN FASHION, MAKARPURA, BARODA	390010	0265-2645015	9825789508
GUJARAT	VAPI	BRIGHT MACHINE TOOLS	A-1 Plot no 126, Opp Hotel way wait bhadrakmora silvassa road, vapi	396195	0260-2450808	9428460429
MADHYA PRADESH	INDORE	PIONEER MARKETING SERVICES	223, SHASTRI MARKET, 2ND FLOOR, , INDORE	452007	0731-2538007	9826053800
MAHARASHTRA	AHMEDNAGAR	DATTA ENTERPRISES	N-16, NIMBALAK ROAD MIDC INDUSTRIAL AREA AHMEDNAGAR, MAHARASHTRA	414111	0241-6611130 / 6611131	9225300400 / 9225310081
MAHARASHTRA	AKOLA	R B MACHINERY	MALPURA CHOWK AKOLA, MAHARASHTRA	444001	0241-2424354	9820080021
MAHARASHTRA	AUNDHERI (E) MUMBAI	UNIQUE AGENCIES	MAROL MAROSHI ROAD, MAROL, MUMBAI MUMBAI MUMBAI	400059	022-29257512	9224295450
MAHARASHTRA	AURANGABAD	ANKIT ENTERPRISES	X-324, NEAR HDFC BANK MAHARANA PRATAP CHOWK, BALAJI NAGAR MIDC, AURANGABAD	431005	0249-2563312	9532769194
MAHARASHTRA	AURANGABAD	PADMAVATI ELECTRICALS	OPP. RAMANAND COLONY KRANTI CHOWK, AURANGABAD	431005	0240 - 2323033	9823083783
MAHARASHTRA	AURANGABAD	SHACO SALES & SERVICES-AURANGABAD	Shop No. 9, Awargankar Complex, Below Hotel Ramgiri Jalna Road, Cidco, Aurangabad	431005	0240-6542111	9822466426 / 9028028763
MAHARASHTRA	CHAKAN	SADAGURU POWER TOOLS AND ELECTRICAL	KOHNODRE CENTRE SHIVAJI CHOWK CHAKAN, PUNE	410501	9822351008	9822351008
MAHARASHTRA	ICHALKARANJLI	SAPANA ENTERPRISES	23/151, PANCHGANGA FACTORY TO SHAHPUR ROAD, NEAR KOTHARI SIZING, P O - GANGANI ICHALKARANJLI, MAHARASHTRA	416116	0230-2440592	9371678843
MAHARASHTRA	JALGAON	SHRI GALJANAN ELECTRICALS & MACHINER	327-A, MAIN GATE, BASEMENT NEW B.J.MARKET, JALGAON MAHARASHTRA	425001	0257-222 4198	9422184432
MAHARASHTRA	JALGAON	J.B. ENTERPRISES	75, HOUSING SOCIETY, COURT ROAD	425001	012572217960	
MAHARASHTRA	KOLHAPUR	SUSHTO ENTERPRISES	B.LINDER GROUND - 1 PRABHAKAR PLAZA, STATION ROAD KOLHAPUR, MAHARASHTRA	416001	0231-2667433	9423258000
MAHARASHTRA	KOLHAPUR	YASH ENTERPRISES	1446 B/C, EMPIRE TOWER, SHOP NO.16-B DASARA CHOWK, LAXMI PURI KOLHAPUR, MAHARASHTRA	416002	0231-2644811	9422414211
MAHARASHTRA	KOLHAPUR	SUNJO TOOLS & ACCESSORIES	1229, 'E' SHOP NO 11 LAXMI AMBLE MARKET BAGAL CHOWK	416008	0231 - 2521484	9545513464
MAHARASHTRA	LONAVALA	SUPER AGENCIES	G' WARD, SHOP NO - 6 GURJUNANAK CO-OPP HSE SOCIETY LONAVALA, MAHARASHTRA	410401	02114-237379	9823062516
MAHARASHTRA	MUMBAI	RAJ MACHINE TOOLS	II ND FLOOR 71/73, NAGDEV STREET MUMBAI, MAHARASHTRA	400003	022-65213643/2035	9323910798
MAHARASHTRA	MUMBAI	S. A. TRADERS	76, NAGDEV CROSS LANE, SHOP NO 3, MUMBAI, MAHARASHTRA	400003	022 - 23400988	9870084598
MAHARASHTRA	MUMBAI	UNIQUE ENGINEERS	OFFICE NO.3, 183 MUTTON STREET, NULL BAZAR, MUMBAI	400003	022-23475221	9920555852
MAHARASHTRA	MUMBAI	ANIL TRADERS	SHOP NO 2 PARALKAR WADI, R.C MARG, CHEMBUR NAKA, MUMBAI	400071	25229900	9323247026
MAHARASHTRA	NAGPUR	RATH ENGINEERING COMPANY	31 A, RADKE LAYOUT OPP- SAINT XAVIERS HIGH SCHOOL NAGPUR, MAHARASHTRA	440016	07104-232221	9373107555
MAHARASHTRA	NAGPUR	UNION HARDWARE STORES	CENTRAL AVENUE DARODKAR CHOWK, NEAR ITWARI HIGH SCHOOL NAGPUR	440002	9971068950 / 9822564150	9971068950 / 9822564150
MAHARASHTRA	NASIK	VIDAD ENGINEERING & ELECTRICALS	MAHADEV NAGAR CORNER NEAR SATPUR BUS STOP, SATPUR - TRIMBAK ROAD SATPUR NASIK	422007	0253 2363567	9822049760
MAHARASHTRA	NASIK	H A ENTERPRISES	SHOP NO.1, PLOT NO.30-41, MAHESHWARI PLAZA, NEAR XLD POINT, SATPUR LINK ROAD, NASIK,	422001	9833242516	9833242516
MAHARASHTRA	NAVI MUMBAI	NEW BOMBAY (HARDWARE) TRADERS PVT.	PLOT NO 107, SECTOR-23 TURBHE SERVICE INDUSTRIES, NEAR JANITA MARKET VASHI, NAVI MUMBAI	400705	+912227833331	9987774337
MAHARASHTRA	NAVI MUMBAI	MAHALAXMI TRADERS	Plot No # 9, Shop No 10, Sector 23, Janita Market Complex, Turbhe	400705	022-27835186	9892459274
MAHARASHTRA	NAVI MUMBAI	PATEL ELECTRIC WORKS	SHOP NO. 6, GULFAM APARTMENT, NEAR LAKSHMI EYE INSTITUTE, NEW URAN ROAD, PANVEL,	410206	022 27453911	9221489786
MAHARASHTRA	PUNE	EVEREST ENTERPRISES	SUKHWANI NEST SHOP NO. 7, VIDHYAM NAGAR PIMPRI, PUNE	411018	9762003665	9762003665
MAHARASHTRA	PUNE	MAX CORPORATION	NO. 95, GANESH PETH, LAXMI ROAD DULYA MARUTI CHOWK, PUNE	411002	020-2634945 / 2634946 / 26341647	9371006743
MAHARASHTRA	PUNE	TECHNO TOOLS	1 & 2, P.J. CHAMBERS NEAR AMBEDKAR STATUE PIMPRI, PUNE	411018	020 306833345/6/7/8	9822362903
MAHARASHTRA	PUNE	TOOL MAX	"MAULI" 738, BUDHWAR PETH GANESH ROAD, NR. PHADKE HOLID PUNE	411002	020 64007995	7709111795
MAHARASHTRA	PUNE	ABRA SALES	T-96/1 BHOSARI PIMPRI ROAD, M.L.D.C. BHOSARI, PUNE, MAHARASHTRA	411026	020-66300599	
MAHARASHTRA	PUNE	HAKIMI TOOLS CENTRE	985, Pawar Peth, Laxmi Road	411002	020 - 24489150	9371072752
MAHARASHTRA	PUNE	EXCELLENCE ENTERPRISES	GAT NO. 227, PUNE NASIK HIGHWAY, OPP. TO BHARAT PETROL PUMP, GAWATE VASTI, NANAKARWADI, KHED, PUNE	410501		7507250099
MAHARASHTRA	SANGLI	ARC POWER TOOLS & EQUIPMENTS	Atharv Sankul, Basement, Near Hotel New Raina, Kupwad Prata, Vishrambag, Sangli	416436	0233-2670443	9423871653 / 83789913
MAHARASHTRA	SATARA	M P ENGINEERS	SHOP NO - 7, JINWALA HOUSING SOCIETY NEAR BOMBAY RESTAURANT, OLD M.L.D.C SATARA	415001	02162 - 247341	9822637283
MAHARASHTRA	SATARA	NEW MAHARASHTRA TRADERS	NO. 184 B/C, RAVINWAR PETH POWAI NAKA SATARA, MAHARASHTRA	415002	02162-235605	9422033369
MAHARASHTRA	SOLAPUR	MAVAN J. DALVI	GALA NO - 7, L.V. COMPLEX RAMLAL CHOWK, RAILWAY LINE SOLAPUR, MAHARASHTRA	413001	0217-2727051	9422068351
MAHARASHTRA	SOLAPUR	SIDDHARTHA SALES & SERVICES	NO. 64 JODBHAVI PETH SOLAPUR	413002	0217 2728911	9423066906
MAHARASHTRA	THANE	SUPER SALES & SERVICES	MONALISA BLDG, SHOP NO.5, HARINWAS CIRCLE, THANE	400602	022 - 25368845	9892375131

