

---

**DEWALT**®

---

**[www.DEWALT.com](http://www.DEWALT.com)**

**DCF680**

---

<b>English (<i>original instructions</i>)</b>	<b>03</b>
<b>简体中文</b>	<b>12</b>
<b>繁體中文</b>	<b>21</b>
<b>한글판</b>	<b>30</b>

---

Figure 1

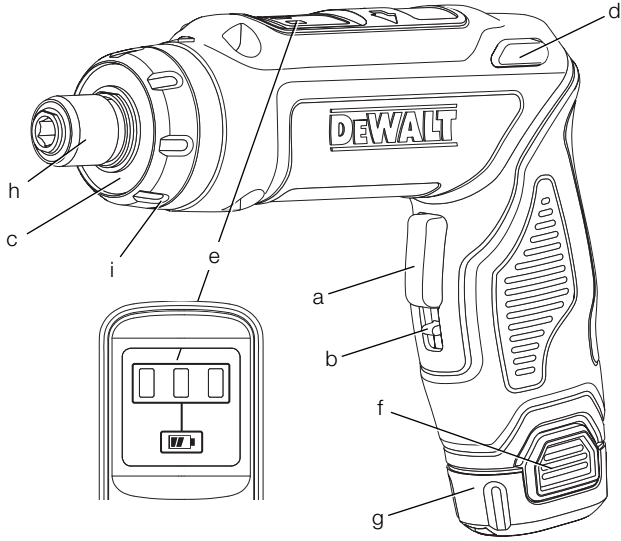


Figure 2

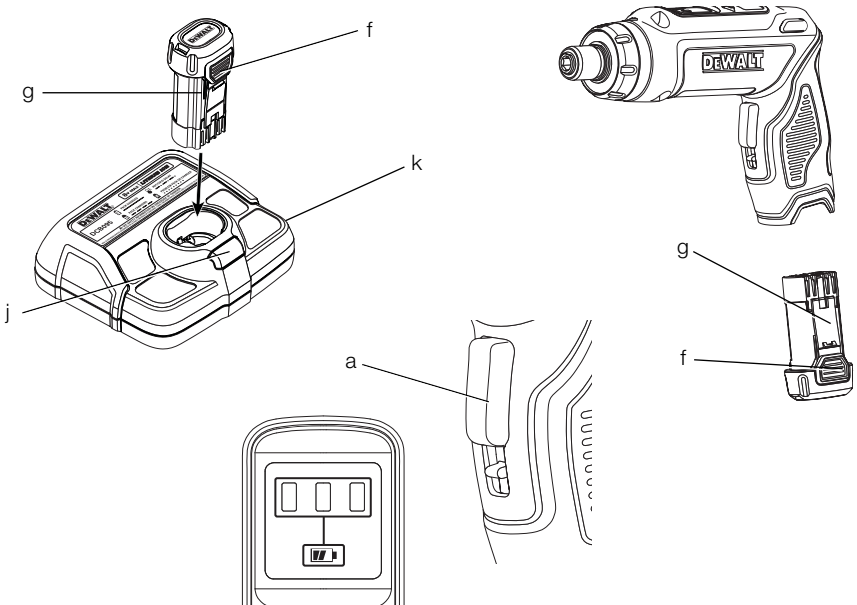


Figure 3

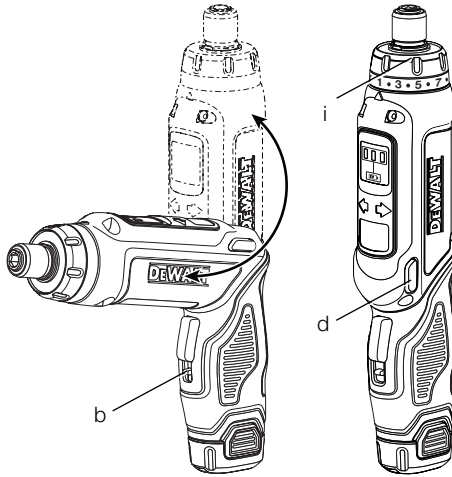


Figure 4

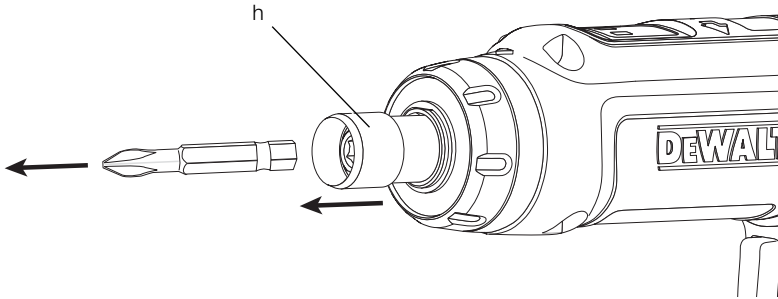


Figure 5a

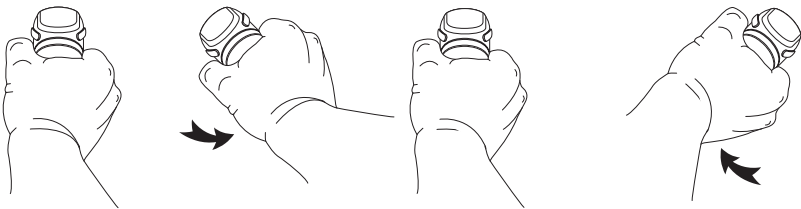
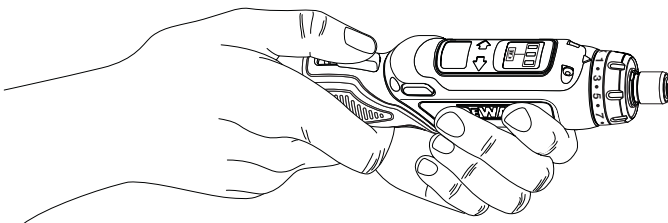


Figure 5b



# 7.2 V HEAVY-DUTY CORDLESS SCREWDRIVER

## DCF680

### Congratulations!

You have chosen a DEWALT tool. Years of experience, thorough product development and innovation make DEWALT one of the most reliable partners for professional power tool users.

### Technical Data

		DCF680
Voltage	$V_{DC}$	7.2
Type		1
No-load speed	$\text{min}^{-1}$	0–430
Max. torque	Nm	4.0
Tool holder	mm	6.35 hex
Weight (without battery pack)	kg	0.42

Battery pack		DCB080
Battery type		Li-Ion
Voltage	$V_{DC}$	7.2
Capacity	$A_h$	1.0
Weight	kg	0.08

Charger		DCB095
Mains voltage	$V_{AC}$	220–240
Charging time	min	60
Weight	kg	0.2

### Definitions: Safety Guidelines

The definitions below describe the level of severity for each signal word. Please read the manual and pay attention to these symbols.



**DANGER:** Indicates an imminently hazardous situation which, if not avoided, **will result in death or serious injury.**



**WARNING:** Indicates a potentially hazardous situation which, if not avoided, **could result in death or serious injury.**



**CAUTION:** Indicates a potentially hazardous situation which, if not avoided, **may result in minor or moderate injury.**

**NOTICE:** Indicates a practice **not related to personal injury** which, if not avoided, **may result in property damage.**



Denotes risk of electric shock.



Denotes risk of fire.



**WARNING:** To reduce the risk of injury, read the instruction manual.

### General Power Tool Safety Warnings



**WARNING! Read all safety warnings and all instructions.** Failure to follow the warnings and instructions may result in electric shock, fire and/or serious injury.

#### SAVE ALL WARNINGS AND INSTRUCTIONS FOR FUTURE REFERENCE

The term “power tool” in the warnings refers to your mains-operated (corded) power tool or battery-operated (cordless) power tool.

#### 1) WORK AREA SAFETY

- Keep work area clean and well lit.** Cluttered or dark areas invite accidents.
- Do not operate power tools in explosive atmospheres, such as in the presence of flammable liquids, gases or dust.** Power tools create sparks which may ignite the dust or fumes.
- Keep children and bystanders away while operating a power tool.** Distractions can cause you to lose control.

#### 2) ELECTRICAL SAFETY

- Power tool plugs must match the outlet. Never modify the plug in any way. Do not use any adapter plugs with earthed (grounded) power tools.** Unmodified plugs and matching outlets will reduce risk of electric shock.
- Avoid body contact with earthed or grounded surfaces such as pipes, radiators, ranges and refrigerators.** There is an increased risk of electric shock if your body is earthed or grounded.
- Do not expose power tools to rain or wet conditions.** Water entering a power tool will increase the risk of electric shock.
- Do not abuse the cord. Never use the cord for carrying, pulling or unplugging the power tool. Keep cord away from heat, oil, sharp edges or moving parts.**

*Damaged or entangled cords increase the risk of electric shock.*

- e) **When operating a power tool outdoors, use an extension cord suitable for outdoor use.** Use of a cord suitable for outdoor use reduces the risk of electric shock.
- f) **If operating a power tool in a damp location is unavoidable, use a residual current device (RCD) protected supply.** Use of an RCD reduces the risk of electric shock.

### **3) PERSONAL SAFETY**

- a) **Stay alert, watch what you are doing and use common sense when operating a power tool. Do not use a power tool while you are tired or under the influence of drugs, alcohol or medication.** A moment of inattention while operating power tools may result in serious personal injury.
- b) **Use personal protective equipment. Always wear eye protection.** Protective equipment such as dust mask, non-skid safety shoes, hard hat, or hearing protection used for appropriate conditions will reduce personal injuries.
- c) **Prevent unintentional starting. Ensure the switch is in the off position before connecting to power source and/or battery pack, picking up or carrying the tool.** Carrying power tools with your finger on the switch or energising power tools that have the switch on invites accidents.
- d) **Remove any adjusting key or wrench before turning the power tool on.** A wrench or a key left attached to a rotating part of the power tool may result in personal injury.
- e) **Do not overreach. Keep proper footing and balance at all times.** This enables better control of the power tool in unexpected situations.
- f) **Dress properly. Do not wear loose clothing or jewellery. Keep your hair, clothing and gloves away from moving parts.** Loose clothes, jewellery or long hair can be caught in moving parts.
- g) **If devices are provided for the connection of dust extraction and collection facilities, ensure these are connected and properly used.** Use of dust collection can reduce dust-related hazards.

### **4) POWER TOOL USE AND CARE**

- a) **Do not force the power tool. Use the correct power tool for your application.** The correct power tool will do the job better and safer at the rate for which it was designed.
- b) **Do not use the power tool if the switch does not turn it on and off.** Any power tool that cannot be controlled with the switch is dangerous and must be repaired.
- c) **Disconnect the plug from the power source and/or the battery pack from the power tool before making any adjustments, changing accessories, or storing power tools.** Such preventive safety measures reduce the risk of starting the power tool accidentally.
- d) **Store idle power tools out of the reach of children and do not allow persons unfamiliar with the power tool or these instructions to operate the power tool.** Power tools are dangerous in the hands of untrained users.
- e) **Maintain power tools. Check for misalignment or binding of moving parts, breakage of parts and any other condition that may affect the power tool's operation. If damaged, have the power tool repaired before use.** Many accidents are caused by poorly maintained power tools.
- f) **Keep cutting tools sharp and clean.** Properly maintained cutting tools with sharp cutting edges are less likely to bind and are easier to control.
- g) **Use the power tool, accessories and tool bits etc., in accordance with these instructions taking into account the working conditions and the work to be performed.** Use of the power tool for operations different from those intended could result in a hazardous situation.

### **5) BATTERY TOOL USE AND CARE**

- a) **Recharge only with the charger specified by the manufacturer.** A charger that is suitable for one type of battery pack may create a risk of fire when used with another battery pack.
- b) **Use power tools only with specifically designated battery packs.** Use of any other battery packs may create a risk of injury and fire.

- c) **When battery pack is not in use, keep it away from other metal objects like paper clips, coins, keys, nails, screws or other small metal objects that can make a connection from one terminal to another.** Shorting the battery terminals together may cause burns or a fire.
- d) **Under abusive conditions, liquid may be ejected from the battery; avoid contact. If contact accidentally occurs, flush with water. If liquid contacts eyes, additionally seek medical help.** Liquid ejected from the battery may cause irritation or burns.

## 6) SERVICE

- a) **Have your power tool serviced by a qualified repair person using only identical replacement parts.** This will ensure that the safety of the power tool is maintained.

## Additional Safety Instructions for Cordless Screwdrivers

- **Wear ear protectors with screwdrivers.** Exposure to noise can cause hearing loss.
- **Hold power tool by insulated gripping surfaces when performing an operation where the cutting tool may contact hidden wiring or its own cord.** Contact with a "live" wire will also make exposed metal parts of the power tool "live" and shock the operator.

## Residual Risks

The following risks are inherent to the use of drills:

- Injuries caused by touching the rotating parts or hot parts of the tool.

In spite of the application of the relevant safety regulations and the implementation of safety devices, certain residual risks cannot be avoided. These are:

- Impairment of hearing.
- Risk of squeezing fingers when changing accessories.
- Health hazards caused by breathing dust developed when working in wood.
- Risk of personal injury due to flying particles.
- Risk of personal injury due to prolonged use.

## Markings on Tool

The following pictograms are shown on the tool:



Read instruction manual before use.

## DATE CODE POSITION

The date code, which also includes the year of manufacture, is printed into the housing surface that forms the mounting joint between tool and battery.

Example:

2013 XX XX

Year of Manufacture

## Important Safety Instructions for All Battery Chargers

**SAVE THESE INSTRUCTIONS:** This manual contains important safety and operating instructions for the DCB095 battery charger.

- Before using the charger, read all instructions and cautionary markings on charger, battery pack, and product using battery pack.



**WARNING:** Shock hazard. Do not allow any liquid to get inside charger. Electric shock may result.



**CAUTION:** Burn hazard. To reduce the risk of injury, charge only DEWALT rechargeable batteries. Other types of batteries may burst causing personal injury and damage.



**CAUTION:** Children should be supervised to ensure that they do not play with the appliance.

**NOTICE:** Under certain conditions, with the charger plugged into the power supply, the exposed charging contacts inside the charger can be shorted by foreign material. Foreign materials of a conductive nature such as, but not limited to, steel wool, aluminum foil, or any buildup of metallic particles should be kept away from charger cavities. Always unplug the charger from the power supply when there is no battery pack in the cavity. Unplug charger before attempting to clean it.

- **DO NOT attempt to charge the battery pack with any chargers other than the ones in this manual.** The charger and battery pack are specifically designed to work together.
- **These chargers are not intended for any uses other than charging DEWALT rechargeable batteries.** Any other uses may result in risk of fire, electric shock or electrocution.
- **Do not expose charger to rain or snow.**

- **Pull by plug rather than cord when disconnecting charger.** This will reduce risk of damage to the electric plug and cord.
- **Make sure that the cord is located so that it will not be stepped on, tripped over, or otherwise subjected to damage or stress.**
- **Do not use an extension cord unless it is absolutely necessary.** Use of improper extension cord could result in risk of fire, electric shock, or electrocution.
- **Do not place any object on top of the charger or place the charger on a soft surface that might block the ventilation slots and result in excessive internal heat.** Place the charger in a position away from any heat source. The charger is ventilated through slots in the top and the bottom of the housing.
- **Do not operate charger with damaged cord or plug — have them replaced immediately.**
- **Do not operate charger if it has received a sharp blow, been dropped, or otherwise damaged in any way.** Take it to an authorised service centre.
- **Do not disassemble charger; take it to an authorised service centre when service or repair is required.** Incorrect reassembly may result in a risk of electric shock, electrocution or fire.
- **In case of damaged power supply cord the supply cord must be replaced immediately by the manufacturer, its service agent or similar qualified person to prevent any hazard.**
- **Disconnect the charger from the outlet before attempting any cleaning. This will reduce the risk of electric shock.** Removing the battery pack will not reduce this risk.
- **NEVER attempt to connect 2 chargers together.**
- **The charger is designed to operate on standard 220-240 V household electrical power. Do not attempt to use it on any other voltage.** This does not apply to the vehicular charger.

**SAVE THESE INSTRUCTIONS**

**Chargers**

The DCB095 chargers accept 7.2 V Li-Ion batteries. These chargers require no adjustment and are designed to be as easy as possible to operate.

**Charging Procedure (fig. 2)**

1. Plug the charger (k) into an appropriate outlet before inserting battery pack.
2. Insert the battery pack (g) into the charger. Ensure that the battery is positioned so the latch (f) is on the same side as charging light (j). The red (charging) light (j) will blink continuously indicating that the charging process has started.
3. The completion of charge will be indicated by the red light remaining ON continuously. The pack is fully charged and may be used at this time or left in the charger.

**NOTE:** To ensure maximum performance and life of Li-Ion batteries, charge the battery pack fully before first use.

**Charging Process**

Refer the table below for the state of charge of the battery pack.

State of charge	
charging	- - - -
fully charged	————
hot/cold pack delay	— - — -
replace battery pack	●●●●●●●●

**Hot/Cold Pack Delay**

When the charger detects a battery that is too hot or too cold, it automatically starts a Hot/Cold Pack Delay, suspending charging until the battery has reached an appropriate temperature. The charger then automatically switches to the pack charging mode. This feature ensures maximum battery life.

**LI-ION BATTERY PACKS ONLY**

Li-Ion batteries are designed with an Electronic Protection System that will protect the battery against overloading, overheating or deep discharge. The tool will automatically turn off if the Electronic Protection System engages. If this occurs, place the Li-Ion battery on the charger until it is fully charged.

**Important Safety Instructions for All Battery Packs**

When ordering replacement battery packs, be sure to include catalog number and voltage.

The battery pack is not fully charged out of the carton. Before using the battery pack and charger, read the safety instructions below, then follow the charging procedures outlined.



## READ ALL INSTRUCTIONS

- **Do not charge or use battery in explosive atmospheres, such as in the presence of flammable liquids, gases or dust.** Inserting or removing the battery from the charger may ignite the dust or fumes.
- **Never force battery pack into charger. Do not modify battery pack in any way to fit into a non-compatible charger as battery pack may rupture causing serious personal injury.**
- Charge the battery packs only in DEWALT chargers.
- **DO NOT splash or immerse in water or other liquids.**
- **Do not store or use the tool and battery pack in locations where the temperature may reach or exceed 40 °C (105 °F) (such as outside sheds or metal buildings in summer).**



**WARNING:** Never attempt to open the battery pack for any reason. If battery pack case is cracked or damaged, do not insert into charger. Do not crush, drop or damage battery pack. Do not use a battery pack or charger that has received a sharp blow, been dropped, run over or damaged in any way (i.e., pierced with a nail, hit with a hammer, stepped on). Electric shock or electrocution may result. Damaged battery packs should be returned to a service centre for recycling.



**CAUTION:** When not in use, place tool on its side on a stable surface where it will not cause a tripping or falling hazard. Some tools with large battery packs will stand upright on the battery pack but may be easily knocked over.

### SPECIFIC SAFETY INSTRUCTIONS FOR LITHIUM ION (Li-Ion)

- **Do not incinerate the battery pack even if it is severely damaged or is completely worn out.** The battery pack can explode in a fire. Toxic fumes and materials are created when lithium ion battery packs are burned.
- **If battery contents come into contact with the skin, immediately wash area with mild soap and water.** If battery liquid gets into the eye, rinse water over the open eye for 15 minutes or until irritation ceases. If medical attention is needed, the battery electrolyte is composed of a mixture of liquid organic carbonates and lithium salts.

- **Contents of opened battery cells may cause respiratory irritation.** Provide fresh air. If symptoms persist, seek medical attention.



**WARNING:** Burn hazard. Battery liquid may be flammable if exposed to spark or flame.

## Battery Pack

### BATTERY TYPE

The DCF680 operates on a 7.2 volt battery pack.

### Storage Recommendations

1. The best storage place is one that is cool and dry away from direct sunlight and excess heat or cold. For optimum battery performance and life, store battery packs at room temperature when not in use.
2. For long storage, it is recommended to store a fully charged battery pack in a cool, dry place out of the charger for optimal results.

**NOTE:** Battery packs should not be stored completely depleted of charge. The battery pack will need to be recharged before use.

### Labels on Charger and Battery Pack

In addition to the pictographs used in this manual, the labels on the charger and the battery pack show the following pictographs:



Read instruction manual before use.



Battery charging.



Battery charged.



Battery defective.



Hot/cold pack delay.



Do not probe with conductive objects.



Do not charge damaged battery packs.



Use only with DEWALT battery packs, others may burst, causing personal injury and damage.



Do not expose to water.



Have defective cords replaced immediately.



Charge only between 4 °C and 40 °C.



Discard the battery pack with due care for the environment.

LI-ION



Do not incinerate the battery pack.



See **Technical Data** for charging time.



Only for indoor use.

## Package Contents

The package contains:

- 1 Cordless Screwdriver
- 1 Charger
- 2 Battery packs (G2 model)
- 1 Battery pack (G1 model)
- 1 Kitbox (G2 model)
- 1 Instruction manual
- 1 Exploded drawing
- *Check for damage to the tool, parts or accessories which may have occurred during transport.*
- *Take the time to thoroughly read and understand this manual prior to operation.*

## Description (fig. 1)



**WARNING:** Never modify the power tool or any part of it. Damage or personal injury could result.

- a. Motion control activation trigger
- b. Lock off switch
- c. LED worklight
- d. Release button
- e. Battery fuel gauge
- f. Battery release button
- g. Battery pack
- h. Chuck sleeve
- i. Torque adjustment collar

## INTENDED USE

Your DCF680 screwdriver has been designed for professional screwdriving applications.

**DO NOT** use under wet conditions or in presence of flammable liquids or gases.

This screwdriver is a professional power tool.

**DO NOT** let children come into contact with the tool. Supervision is required when inexperienced operators use this tool.

- This product is not intended for use by persons (including children) suffering from diminished physical, sensory or mental abilities; lack of experience, knowledge or skills unless they are supervised by a person responsible for their safety. Children should never be left alone with this product.

## Electrical Safety

The electric motor has been designed for one voltage only. Always check that the battery pack voltage corresponds to the voltage on the rating plate. Also make sure that the voltage of your charger corresponds to that of your mains.



Your DEWALT charger is double insulated in accordance with EN 60335; therefore no earth wire is required.



**WARNING:** 115 V units have to be operated via a fail-safe isolating transformer with an earth screen between the primary and secondary winding .

If the supply cord is damaged, it must be replaced by a specially prepared cord available through the DEWALT service organisation.

## Using an Extension Cable

An extension cord should not be used unless absolutely necessary. Use an approved extension cable suitable for the power input of your charger (see **Technical Data**). The minimum conductor size is 1 mm<sup>2</sup>; the maximum length is 30 m.

When using a cable reel, always unwind the cable completely.

## ASSEMBLY AND ADJUSTMENTS



**WARNING:** Prior to assembly and adjustment, always remove the battery pack. Always switch off the tool before inserting or removing the battery pack.



**WARNING:** Use only DEWALT battery packs and chargers.

### Inserting and Removing the Battery Pack from the Tool (fig. 2)



**WARNING:** To reduce the risk of serious personal injury, turn tool off and disconnect battery pack before making any adjustments or removing/installing attachments or accessories. An accidental start-up can cause injury.

**NOTE:** Make sure your battery pack (g) is fully charged.

#### TO INSTALL THE BATTERY PACK INTO THE TOOL HANDLE

1. Align the battery pack (fig. 2) with the recess inside the tool's handle.
2. Slide the battery pack firmly into the handle until you hear the lock snap into place.

#### TO REMOVE THE BATTERY PACK FROM THE TOOL

1. Press the release button (f) and firmly pull the battery pack out of the tool handle.
2. Insert battery pack into the charger as described in the charger section of this manual.

### Battery Fuel Gauge (fig. 1, 2)

The DEWALT cordless screwdriver has a fuel gauge (e) which consists of three green LED lights that indicate the level of charge remaining in the battery pack.

To actuate the fuel gauge, press and hold the motion control activation trigger (a). A combination of the three green LED lights will illuminate designating the level of charge left. When the level of charge in the battery is below the usable limit, the fuel gauge will not illuminate and the battery will need to be recharged.

**NOTE:** The fuel gauge is only an indication of the charge left on the battery pack. It does not indicate tool functionality and is subject to variation based on product components, temperature and end-user application.

### Bit Installation (fig. 4)

To install a bit, insert the bit into the chuck until the clip locks it in place.

To remove a bit, pull the chuck sleeve (h) forward. Remove the bit and release the sleeve.

### Two Position Screwdriver (fig. 3)

To convert the tool to an angled screwdriver press the release button (d) and rotate the top portion of the tool as shown in figure 3.

**NOTICE:** Do not use screwdriver as a pry bar in either position.



**CAUTION:** To avoid screwdriver being turned on accidentally, put the lock off switch (b) in the up, locked-off, position.

### Torque Adjustment Collar (fig. 1)

The torque adjustment collar (i) is marked with numbers and a MAX symbol. To set the torque align the desired setting with the arrow on the tool housing. The higher the number on the collar, the higher the torque. To lock the clutch for heavy fastening operations, move to the MAX position. Failure to do this will allow the clutch to slip while attempting to fasten.

### Prior to Operation

- Make sure your battery pack is (fully) charged.
- Insert the appropriate bit.

## OPERATION

### Instructions for Use



**WARNING:** Always observe the safety instructions and applicable regulations.



**WARNING:** To reduce the risk of serious personal injury, turn tool off and disconnect battery pack before making any adjustments or removing/installing attachments or accessories.

### Proper Hand Position (fig. 5)



**WARNING:** To reduce the risk of serious personal injury, ALWAYS use proper hand position as shown.



**WARNING:** To reduce the risk of serious personal injury, ALWAYS hold securely in anticipation of a sudden reaction.

Proper hand position requires one hand on the main handle as shown.



**WARNING:** If the tool will be used in elongate position and highest MR please hold tool with both hands as shown in figure 5b.

## Screwdriving (fig. 1, 5a)

Your screwdriver uses gyroscopic technology to sense your hand motion. To operate, press in the motion control activation trigger and turn your hand in the direction that you want the screwdriver to operate.

### SETTING INITIAL STARTING POINT

1. Grasp the screwdriver as shown in figure 5a.
2. Press and hold in the motion control activation trigger.
3. When the LED illuminates the tool is ready for use.
4. To reset initial starting point first release the motion control activation trigger. Move tool to new position, then press and hold in the motion control activation trigger.

### OPERATING IN FORWARD DIRECTION

1. Grasp the screwdriver as shown in figure 5a.
2. Engage head of fastener with screwdriver accessory on work piece. Follow instructions for setting initial starting point.
3. Rotate your hand clockwise and the screwdriver will activate in the forward direction.

### OPERATING IN REVERSE DIRECTION

1. Grasp the screwdriver as shown in figure 5a.
2. Engage head of fastener with screwdriver accessory on work piece. Follow instructions for setting initial starting point.
3. Rotate your hand anti-clockwise and the screwdriver will activate in the reverse direction.

To turn the tool off, release the motion control activation trigger.

**NOTE:** When the tool is not in use or during transit please be sure to remove any accessory from the tool and activate trigger lock (b).

### VARIABLE SPEED

- The spindle speed is dependent upon the speed that you rotate your hand.
- The slower you rotate your hand, the slower the screwdriver turns.
- The faster you rotate your hand, the faster the screwdriver turns.
- If you wish to increase the spindle speed, rotate your hand further in the same direction.

- If you wish to decrease the spindle speed, rotate your hand back towards the initial starting point.

## MAINTENANCE

Your DEWALT power tool has been designed to operate over a long period of time with a minimum of maintenance. Continuous satisfactory operation depends upon proper tool care and regular cleaning.



**WARNING:** To reduce the risk of serious personal injury, turn tool off and disconnect battery pack before making any adjustments or removing/installing attachments or accessories. An accidental start-up can cause injury.

The charger and battery pack are not serviceable. There are no serviceable parts inside.



## Lubrication

Your power tool requires no additional lubrication.



## Cleaning



**WARNING:** Blow dirt and dust out of the main housing with dry air as often as dirt is seen collecting in and around the air vents. Wear approved eye protection and approved dust mask when performing this procedure.



**WARNING:** Never use solvents or other harsh chemicals for cleaning the non-metallic parts of the tool. These chemicals may weaken the materials used in these parts. Use a cloth dampened only with water and mild soap. Never let any liquid get inside the tool; never immerse any part of the tool into a liquid.

### CHARGER CLEANING INSTRUCTIONS



**WARNING:** Shock hazard. Disconnect the charger from the AC outlet before cleaning. Dirt and grease may be removed from the exterior of the charger using a cloth or soft non-metallic brush. Do not use water or any cleaning solutions.

## Optional Accessories



**WARNING:** Since accessories, other than those offered by DEWALT, have not been tested with this product, use of such accessories with this tool could be hazardous. To reduce the risk of injury, only DEWALT recommended accessories should be used with this product.

Consult your dealer for further information on the appropriate accessories.

## Protecting the Environment



Separate collection. This product must not be disposed of with normal household waste.

Should you find one day that your DEWALT product needs replacement, or if it is of no further use to you, do not dispose of it with household waste. Make this product available for separate collection.



Separate collection of used products and packaging allows materials to be recycled and used again. Re-use of recycled materials helps prevent environmental pollution and reduces the demand for raw materials.

Local regulations may provide for separate collection of electrical products from the household, at municipal waste sites or by the retailer when you purchase a new product.

DEWALT provides a facility for the collection and recycling of DEWALT products once they have reached the end of their working life. To take advantage of this service please return your product to any authorised repair agent who will collect them on our behalf.

You can check the location of your nearest authorised repair agent by contacting your local DEWALT office at the address indicated in this manual. Alternatively, a list of authorised DEWALT repair agents and full details of our after-sales service and contacts are available on the Internet at: **[www.2helpU.com](http://www.2helpU.com)**.



## Rechargeable Battery Pack

This long life battery pack must be recharged when it fails to produce sufficient power on jobs which were easily done before. At the end of its technical life, discard it with due care for our environment:

- Run the battery pack down completely, then remove it from the tool.
- Li-Ion cells are recyclable. Take them to your dealer or a local recycling station. The collected battery packs will be recycled or disposed of properly.

# 7.2V 重型无线螺丝起子

## DCF680

### 恭喜！

您已选择了得伟工具。凭借多年的经验和在产品开发与创新方面的不断努力，得伟已经成为专业电动工具用户的最可靠伙伴之一。

### 技术参数

		DCF680
电压	$V_{DC}$	7.2
型号		1
空载转速	$\text{min}^{-1}$	0-430
最大扭矩	Nm	4.0
工具手柄	毫米	6.35 六角
重量（不含电池组）	千克	0.42

电池组		DCB080
电池类型		锂离子
电压	$V_{DC}$	7.2
电容	$A_h$	1.0
重量	千克	0.08

充电器		DCB095
电源电压	$V_{AC}$	220
充电时间	分钟	60
重量	千克	0.2

### 定义：安全指引

下列定义解释了各警示词的严重程度。请仔细阅读本手册，并注意这些警示符号。



**危险：**表示紧急的危险情形，如不加以阻止，**将导致死亡或严重伤害。**



**警告：**表示潜在的危险情形，如不加以避免，**可能导致死亡或严重伤害。**



**警示：**表示潜在的危险情形，如不加以避免，**可能导致轻度或中度伤害。**

**注意：**表示不涉及人身伤害的情况，如不加以避免，**可能导致财产损失。**



表示存在触电风险。



表示存在火灾风险。



**警告：**为降低伤害风险，请阅读使用手册。

### 电动工具一般安全警告



**警告！阅读所有警告和所有说明。**不遵照以下警告和说明会导致电击、着火和/或严重伤害

**请保存所有警告和说明书，以备将来查阅。**

在所有下列警告中术语“电动工具”指市电驱动（有线）电动工具、或电池驱动（无线）电动工具。

#### a) 工作场地的安全

- 1) **保持工作场地清洁和明亮。**混乱和黑暗的场地会引发事故。
- 2) **不要在易爆环境，如有易燃液体、气体或粉尘的环境下操作电动工具。**电动工具产生的火花会点燃粉尘或气体。
- 3) **让儿童和旁观者离开后操作电动工具。**注意力不集中会使操作者失去对工具的控制。

#### b) 电气安全

- 1) **电动工具插头必须与插座相配。绝不能以任何方式改装插头。需接地的电动工具不能使用任何转换插头。**未经改装的插头和相配的插座将减少电击风险。
- 2) **避免人体接触接地表面，如管道、散热片、冰箱。**如果你身体接地会增加电击危险。
- 3) **不得将电动工具暴露在雨中或潮湿环境中。**水进入电动工具将增加电击危险。

- 4) **不得滥用电线。绝不能使用电线搬运、拉动电动工具或拔出其插头。使电线远离热源、油、锐边或运动部件。**受损或缠绕的软线会增加电击危险。
  - 5) **当在户外操作电动工具时，使用适合户外使用的外接软线。**适合户外使用的软线将减少电击的危险。
  - 6) **如果在潮湿的环境下操作电动工具是不可避免的，应使用剩余电流动作保护器 (RCD)。**使用 RCD 可减小电击的危险。
- c) 人身安全**
- 1) **保持警觉。当操作电动工具时关注所从事的操作并保持清醒。当你感到疲倦，或在有药物、酒精或治疗反应时，不要操作电动工具。**在操作电动工具时瞬间的疏忽会导致严重人身伤害。
  - 2) **使用个人防护装置。始终佩戴护目镜。**安全装置，诸如适当条件下使用防尘面具、防滑安全鞋、安全帽，听力保护等装置能减少人身伤害。
  - 3) **防止意外起动。确保开关在连接电源和/或电池盒，拿起或搬运工具时处于关断位置。**手指放在已接通电源的开关上或开关处于接通时插入插头可能会导致危险。
  - 4) **在电动工具接通之前，拿掉所有调节钥匙或扳手。**遗留在电动工具旋转零件上的扳手或钥匙会导致人身伤害。
  - 5) **手不要伸得太长。时刻注意立足点和身体平衡。**这样在意外情况下能很好地控制电动工具。
  - 6) **着装适当。不要穿宽松的衣服或佩戴饰品。**让衣服、手套和头发远离运动部件。宽松衣服、配饰或长发可能会卷入运动部件中。
  - 7) **如果提供了与排屑装置、集尘设备连接用的装置，要确保这些装置连接完好且使用得当。**使用这些装置可减少碎屑引起的危险。
- d) 电动工具的使用和注意事项**
- 1) **不要滥用电动工具。根据用途使用适当的电动工具。**选用适当设计的电动工具会使您工作更有效、更安全。
  - 2) **如果开关不能接通或关断工具电源，则不能使用该电动工具。**不能用开关来控制的电动工具是危险的且必须进行修理。
  - 3) **在进行任何调节、更换附件或贮存电动工具之前，必须从电源上拔掉插头和/或使电池盒与工具脱开。**这种防护性措施将减少工具意外起动的危险。
  - 4) **将闲置不用的电动工具贮存在儿童所及范围之外，并且不要让不熟悉电动工具或对这些说明不了解的人操作电动工具。**电动工具在未经培训的用户手中是危险的。
  - 5) **保养电动工具。检查运动部件是否调整到位或卡主、检查零件破损情况和影响电动工具运行的其它状况。如有损坏，电工工具应在使用前修理好。**许多事故由维护不良电动工具所导致。
  - 6) **保持切削刀具锋利和清洁。**保养良好的有锋利切削刃的刀具不易卡住，而且更容易控制。
  - 7) **按照使用说明书，考虑作业条件和进行的工作来使用电动工具、附件和工具的刀头等。**将电动工具用于那些与其用途不符的操作可能会导致危险。
- e) 电池工具的使用以及注意事项**
- 1) **只能使用制造商指定的充电器为电池充电。**使用适用于其它类型电池组的充电器充电可能会引发火灾。
  - 2) **电动工具只能配备明确指定的电池组。**使用其它类型的电池组可能会造成人身伤害和引发火灾。
  - 3) **电池组放置不用时，要远离回形针、硬币、钥匙、钉子、螺丝以及其它可连通电池两极的金属物品。**将电池两极短路会造成灼伤或引发火灾。

- 4) **滥用电池的情况下，液体会从电池中喷出；要避免与液体接触。如果不小心接触到电池液体，请立即用清水冲洗。如果液体喷溅到眼睛上，冲洗之后还要进行治疗。从电池喷出的液体可能会刺激皮肤或造成灼伤。**

#### f) 检修

- 1) **将你的电工工具送交专业维修人员，使用同样的备件进行修理。这样将确保所维修的电动工具的安全性。**

## 无线螺丝起子的附加安全说明

- **使用螺丝起子时请佩戴听力保护器。** 噪音会损伤听力。
- **执行操作时如果切割工具可能会接触隐藏的电线或工具本身的电源线，请握住绝缘手柄表面。** 如果接触到“带电”导线，电动工具金属部件表面就会“带电”并使操作人员触电。

## 剩余风险

使用电钻时具有下列风险：

- 碰触工具的旋转部件或带热的部件会导致人身伤害。

尽管遵守了相关的安全法规并采用了安全装备，某些剩余风险仍然是无法避免的。这些风险包括：

- 听力损伤。
- 更换配件时扭伤手指的风险。
- 锯切木材时，吸入粉尘导致的健康危害。
- 飞散颗粒造成的人身伤害风险。
- 长时间使用导致的人身伤害风险。

## 工具上的标记

工具有下列标志：



使用前请阅读使用手册。

## 日期码的位置

包含制造年份的日期码印在工具外壳上，位置介于工具和电池之间的接合处。

例如：

2013 XX XX

制造年份

## 针对所有电池充电器的重要安全说明

**请妥善保管好这些说明：** 本手册包含重要的 DCB095 电池充电器安全和操作说明。

- 使用充电器之前，请阅读充电器、电池组以及电池组产品上的所有说明和警示标记。



**警告：** 触电危险。禁止任何液体渗入充电器，否则会引起触电。



**警示：** 灼伤危险。为了减少受伤的危险，只能使用得伟充电式电池充电。使用其它类型的电池可能会引起爆裂，并导致人身伤害和损害。



**警示：** 必须监督小孩，确保他们没有耍玩器具。

**注意：** 在某些情况下，当充电器的插头插入电源插座时，充电器内部裸露的充电触点可能因为外来物件而短路。请勿让能导电的异物靠近充电器腔，这些异物包括但不限于钢棉、铝箔或任何金属颗粒的堆积物。充电器内没有电池组时，请断开充电器与电源的连接。清洗前，务必拔掉充电器。

- **不要使用本手册指定充电器以外的任何充电器为电池组充电。** 充电器和电池组经特别设计以便配合工作。
- **除了为得伟充电式电池充电以外，这些充电器并不能用于其它用途。** 否则，可能会导致火灾、触电或电击。
- **不得将充电器暴露在雨中或雪中。**



- **断开充电器连接时应拔下插头，切勿拉拽电线。**这将减低对电插头和电线的损害风险。
- **确保电线布置在不易踩踏、踢绊或会受到损害或压力的位置。**
- **非绝对必要条件下禁止使用延长电线。**使用不正确的延长电线可能存在火灾、触电或电击风险。
- **不要将任何物件放置在充电器顶端或将充电器置放在软表面上，这可能会阻挡通风槽，导致内部过热。**将充电器放置在远离任何热源的位置。充电器外壳顶端和底端都具有通风槽。
- **操作充电器时，不得使用损坏的电线或插头 — 必须立即将其更换。**
- **如果充电器受到重击、掉落或出现其它损坏情况，请不要使用充电器。**请将损坏的充电器送到授权的服务中心维修。
- **不要拆卸充电器，请将需要维修或修理的充电器送到授权的服务中心。**重装不正确可能存在触电、电击或火灾风险。
- **已损坏的电源线必须立即交由制造商、服务代理或类似的合格人员进行更换以防止安全隐患。**
- **尝试进行任何清洁之前将充电器从插座上拔下，以减少触电风险。**仅取出电池不会减少触电风险。
- **切勿尝试将 2 个充电器连接在一起。**
- **充电器额定电压是标准 220V 家用电压。禁止在任何其它电压下使用充电器。**此规则不适用于车载充电器。

请妥善保存这些说明

## 充电器

DCB095 充电器接受 7.2V 锂离子电池。这些充电器无需做出任何调整，专为简易操作而设计。

## 充电程序（图2）

1. 插入电池组之前请将充电器 (k) 插头插入相应的插座。
2. 将电池组 (g) 插入到充电器中。确保电池安装到位，使得锁定栓 (f) 与充电指示灯 (i) 位于同一侧。红色（充电中）指示灯 (i) 将不断闪烁，表示充电过程已经开始。
3. 红色灯持续亮起表示充电完成。此时电池组已完全充电，您可以使用电池组或将电池组留在充电器上。

**注：**为了确保锂离子电池的效能和使用寿命最大化，在首次使用电池组之前必须将其完全充电。

## 充电过程

有关电池组的充电状态，请参阅下表。

充电状态	
充电中	— — — —
已完全充电	—————
热/冷电池组延迟	— — — —
更换电池组	●●●●●●●●●●

## 热 / 冷电池组延迟

当充电器检测到电池过热或过冷时，它会启动热/冷电池延迟模式，暂停充电，直到电池达到适当的温度。然后，充电器会自动切换到电池组充电模式。此功能可确保电池拥有最长的使用寿命。

### 仅限锂离子电池

锂离子电池具有“电子保护系统”设计，可保护电池免受过载、过热或过度放电之害。如果电子保护系统处于运作状态，该工具将自动停止操作。如果发生这种情况，请将锂离子电池放在充电器上直到完全充电。

## 针对所有电池组的重要安全说明

在订购更换电池组时，请务必提供产品目录号和电压。

包装箱内的电池组并未完全充电。在使用电池组和充电器之前，请阅读下面的安全说明，然后按照充电程序进行操作。

### 请阅读所有说明

- **不要在易爆环境中充电或使用电池，如有易燃液体、气体或粉尘的环境。**在充电器中插入或取出电池时可能会点燃粉尘或气体。
- **切勿将电池组强行插入充电器。不要以任何方式改装电池组并将电池组插入不兼容的充电器，这种操作可能会导致电池组破裂，造成严重的人身伤害。**
- 电池组只可在得伟充电器中充电。
- **不要喷溅或沉浸在水或其它液体中。**
- **不要在温度可能达到或超过 40°C(105°F) 的地方（如夏天户外的棚子或金属建筑物中）存储或使用工具和电池组。**



**警告：**切勿以任何理由试图打开电池组。电池组外壳破裂或损坏时，不要将电池组插入充电器。不要挤压、掉落或损坏电池组。不要使用受过强烈重击、掉落、碾压或以任何其它方式（如被钉子穿破、受到锤子的重击、踩踏）受损的电池组或充电器，否则可能会引起触电或电击。损坏的电池组应交回服务中心进行回收。



**警示：**不用时，将工具侧放在平稳的表面上，确保不会有踢绊或掉落的风险。一些具有大型电池组的工具的电池组可以直立但可能会轻易被撞到。

### 锂离子电池的附加安全说明

- **即使电池组严重受损或完全损坏，也不要焚化电池组。**电池组会在火中爆炸。锂离子电池组在燃烧时会释放有毒烟雾和物质。
- **如果皮肤接触到电池内部物质，请立即用中性肥皂和清水冲洗接触的地方。**如果电池液体不慎进入眼睛，应睁开眼睛并用清水冲洗至少 15 分钟或直到刺激感消失。如果需要医疗救助，请告知医护人员。电池电解质是由液状有机碳酸盐和锂盐的混合物组成。

- **已打开电池的內部物质可能导致呼吸道刺激。**提供新鲜空气。如果症状持续存在，请就医。



**警告：**灼伤危险。电池液如果接触到火花或火焰可能会燃烧。

## 电池组

### 电池类型

DCF680 使用 7.2 伏特的电池组。

## 存储建议

1. 最好将电池存放在阴凉、干燥、远离阳光直射、不会过热或过冷的地方。为了获得最佳的电池性能和使用寿命，在不使用时请将电池组存储在室温下。
2. 长期存储时，建议将完全充电的电池组从充电器取出，存储在阴凉、干燥的地方，以达到最佳效果。

**注：**电池组存储时不能处于电荷完全耗尽的状态。在使用电池组之前，电池组必须重新充电。

## 充电器和电池组上的标签

除了在本手册中使用的标志，充电器和电池组的标签还包括：



使用前请阅读使用手册。



电池充电中。



电池已充电。



电池故障。



热/冷电池组延迟。



不要使用导电物体碰触。



不要对损坏的电池组充电。



只能使用得伟电池组，其它电池组可能会爆裂，导致人身伤害和损害。



不要暴露在水中。



应立即更换有缺陷的电线。



只在 4°C 至 40°C 的温度下充电。



弃置电池组时，请妥善处理以保护我们的环境。



禁止焚烧电池组。



有关充电时间，请参阅**技术参数**。



只能在室内使用。

## 包装内容

本产品包装内含有：

- 1 个无线螺丝起子
- 1 个充电器
- 2 个电池组 (G2 型号)
- 1 个电池组 (G1 型号)
- 1 个工具箱 (G2 型号)
- 1 本使用手册
- 1 份剖视结构图

- 检查工具、部件或配件是否在运输过程中损坏。
- 使用前，请抽空彻底阅读并掌握本手册内容。

## 说明 (图 1)



**警告：**切勿改装本电动工具或其任何部件，否则可能会导致损坏或人身伤害。

- a. 运动控制启动触发器
- b. 锁止开关
- c. LED 工作灯
- d. 释放按钮
- e. 电池电量计
- f. 电池释放按钮

- g. 电池组
- h. 夹头套管
- i. 扭矩调节轴环

## 设计用途

您的 DCF680 螺丝起子设计用于专业螺旋。

**不要在**潮湿或存在易燃液体、气体的环境中使用本工具。

本螺丝起子是专业的电动工具。

**不要让**儿童接触本工具。缺乏经验的操作员需要在监督下使用本工具。

- 本产品不适合体力、感官或智力不足以及缺乏经验、知识或技能的人员（包括儿童）使用，除非一旁有能为他们的安全负责的监督人员。不得在无人监管的情况下让儿童触及本产品。

## 电气安全

电机只适用一种工作电压。请务必检查电池组的电压是否和铭牌上的电压一致。另外，请确保充电器电压和主电源的电压一致。



您的得伟充电器依据 EN 60335 进行双重绝缘，因此无须接地线。



**警告：**115V 装置必须通过故障保险隔离变压器操作，在初级绕组和次级绕组之间使用接地屏蔽。

如果电源线损坏，必须采用得伟维修机构提供的专用电线进行更换。

## 使用延长线

除非绝对必要，否则请勿使用延长电线。使用适合您的充电器电源输入的合格延长线（见**技术参数**）。最小导体尺寸为 1 平方厘米，最大长度为 30 米。

使用电缆卷筒时，请务必拉出所有电缆。

## 组装与调整



**警告：** 组装与调整之前，务必取出电池组。插入或取出电池组之前，请关闭工具。



**警告：** 只能使用得伟电池组和充电器。

## 插入和取出电池组 (图 2)



**警告：** 为降低严重的人身伤害风险，在进行任何调整或取出/安装附加装置或配件之前，请关闭工具并断开电池组连接。意外启动可能会导致伤害。

注：请确保您的电池组 (i) 已完全充电。

### 将电池组安装在工具手柄中

1. 将电池组 (图 2) 与工具手柄内的凹槽对齐。
2. 将电池组稳定滑入手柄中直至它锁定到位。

### 从工具中取出电池组

1. 按下释放按钮 (1)，将电池组从工具手柄中稳妥地拉出。
2. 按本手册充电器部分所述将电池组插入充电器中。

## 电池电量计 (图 1,2)

得伟无线螺丝起子带有一个包含三个绿色 LED 指示灯的电量计 (e)，用于指示电池组内的剩余电量。

按住运动控制启动触发器 (a)，即可启动电量计。三个绿色 LED 指示灯将以组合方式亮起，以指示剩余电量。当电池内的电量低于可用限制时，电量计将不会亮起，电池则必须重新充电。

**注：** 电量计仅指示电池组的剩余电量。它并不表示该工具的功能，且将根据产品组件、温度和最终用户的使用情况而有所不同。

## 起子头安装 (图4)

若要安装起子头，请将起子头插入夹头，直到夹具锁定到位。

若要拆除起子头，请向前拉动尖头套管 (h)。拆除起子头并松开套管。

## 双位螺丝起子 (图 3)

若要将工具转换为角形螺丝起子，请按下释放按钮 (d) 并旋转工具的顶部，如图 3 所示。

**注意：** 在任一位置都不要将螺丝起子用作撬杆。



**警告：** 若要避免螺丝起子意外开启，请将锁止开关 (b) 向上拨至锁止位置。

## 扭矩调节轴环 (图 1)

扭矩调节轴环 (i) 标有编号和 MAX 符号。若要设置扭矩，请将所需的设置与工具外壳上的箭头保持一致。轴环上的编号越大，扭矩越高。若要锁定夹头以进行繁重的紧固操作，请移至 MAX 位置，否则夹头会在您试图紧固时滑动。

### 使用前的准备工作

- 确保您的电池组已 (完全) 充电。
- 插入相应的起子头。

## 操作

### 使用说明



**警告：** 务必遵守安全说明和适用法规。



**警告：** 为降低严重的人身伤害风险，在进行任何调整或取出/安装附加装置或配件之前，请关闭工具并断开电池组连接。

## 正确的手持方式 (图5)



**警告：** 为降低严重的人身伤害风险，请务必使用正确的手持方式，如图所示。



**警告：** 为降低严重的人身伤害风险，请务必紧握工具以防止意外事件。

正确的手持方式需要一只手握住主手柄，如图所示。



**警告：** 如果工具将用于拉长位置和最高的 MR，请使用双手握住工具，如图 5b 所示。

## 螺旋 (图 1, 5a)

本工具可调整到三个不同的位。螺丝起子采用陀螺仪技术来感知您的手部动作。若要操作，请按下运动控制启动触发器并朝要使用螺丝起子的方向转动您的手。

### 设置初始起点

1. 抓住螺丝起子，如图 5a 所示。
2. 按住运动控制启动触发器。
3. LED 亮起时，可使用工具。
4. 若要重设初始起点，请先释放运动控制启动触发器。将工具移至新位置，然后按住运动控制启动触发器。

### 正向操作

1. 抓住螺丝起子，如图 5a 所示。
2. 将紧固件的头部与工件上的螺丝起子配件啮合。按照说明设置初始起点。
3. 顺时针转动您的手，螺丝起子将正向启动。

### 反向操作

1. 抓住螺丝起子，如图 5a 所示。
2. 将紧固件的头部与工件上的螺丝起子配件啮合。按照说明设置初始起点。
3. 逆时针转动您的手，螺丝起子将反向启动。

若要关闭工具，请释放运动控制启动触发器。

**注：**不使用工具时或在运输过程中，请务必从工具上拆下所有配件并启动触发器锁 (b)。

### 变速

- 主轴速度取决于您转动手的速度。
- 转动手的速度越慢，螺丝起子转动的速度也越慢。
- 转动手的速度越快，螺丝起子转动的速度也越快。
- 如果您要增加主轴速度，请朝相同方向继续向前转动您的手。
- 如果您要降低主轴速度，请朝初始起点方向往回转动您的手。

## 维护

您的得伟电动工具设计精良，可以长期使用，仅需极少维护。若要连续、有效的操作，需要进行适当的工具维护和定期清洁。



**警告：**为降低严重的人身伤害风险，在进行任何调整或取出/安装附加装置或配件之前，请关闭工具并断开电池组连接。意外启动可能会导致伤害。

充电器和电池组无法维修。这些组件内没有可以维修的部件。



## 润滑

本电动工具无需另行润滑。



## 清洁



**警告：**一旦看到通风口及其周围积聚了尘屑，请用干燥的空气将灰尘和尘屑从主机外壳内吹出。执行此过程时，需戴上经认可的护目装备和防尘面具。



**警告：**切勿使用溶剂或其它刺激性化学制品来清洁工具的非金属部件。这些化学物质可能会削弱这些部件使用的材料。请用布蘸温和的肥皂水擦拭。切勿让任何液体渗入工具；切勿让工具的任何部位浸在液体中。

### 充电器清洁说明



**警告：**触电危险。清洁前，请将充电器从交流电源插座上拔下。可用布或非金属软刷清除充电器外部的污垢和油脂。不要使用水或任何清洁剂。

## 可选配件



**警告：**除了得伟提供的配件之外，其它配件都未经此产品兼容性测试，若将此类配件与本工具一起使用将存在安全隐患。为降低伤害风险，本产品仅可使用得伟推荐的配件。

请向您的经销商咨询更多关于合适配件的信息。

## 环境保护



分类回收。本产品不得与普通家庭垃圾一起处理。

如果您发现您的得伟产品需要进行更换，或您已经不再需要使用这些产品，请不要将它们与家庭垃圾一起处理。请将它们单独分类回收。



分类回收使用过的产品和包装能够让材料得以再循环和再利用。再生材料的再利用有助于防止环境污染，并降低对原材料的需求。

当地法规可能要求由市政废物处理点或向您出售新产品的零售商提供从家庭中分类回收电气产品的服务。

得提供 施收集和再循 利用使用 命到期的得 品。若要享受 服 ， 品送回任一授 修代理，他 代表我 回收您的 品。

您可通过联系本手册中所载的当地得伟办事处查询离您最近的授权维修代理的位置。您也可以通过网站获得得伟授权维修代理名单以及我们售后服务与联络人的完整详情，网址为：[www.2helpU.com](http://www.2helpU.com)。



## 充电式电池组

本电池组使用寿命长，不能提供顺利完成工作所需的电力时，必须进行充电。电池技术寿命结束时，请妥善处理以保护我们的环境。

- 耗尽电池组的电力，然后从工具中取出。
- 锂离子电池是可回收的。将它们送往您的经销商处或当地的回收站。回收的电池组将被妥善回收或处理。

制造商：百得美国公司

地 址：701 E Joppa Rd, TW050 MD21286, Towson, 美国

产 地：江苏苏州

## 7.2 V 充電體感起子機

### DCF680

#### 恭喜閣下！

感謝您選購 DeWALT 工具。憑藉多年的產品開發和創新經驗，DeWALT 已成為專業電動工具使用者最信賴的夥伴。

#### 技術資料

		DCF680
電壓	$V_{DC}$	7.2
類型		1
空載轉速	$\text{min}^{-1}$	0-430
最大扭矩	Nm	4.0
工具固定器	公釐	6.35 六角
重量（不包括電池組）	公斤	0.42

電池組		DCB080
電池類型		鋰離子電池
電壓	$V_{DC}$	7.2
電容	$A_h$	1.0
重量	公斤	0.08

充電器		DCB095
電源電壓	$V_{AC}$	110
充電時間	分鐘	60
重量	公斤	0.2

#### 定義：安全指南

以下定義描述了每一個詞彙的嚴重程度。請閱讀本手冊並注意這些符號。



**危險：**表示緊急危險情況，若未能避免，**將導致死亡或嚴重傷害。**



**警告：**表示潛在危險情況，若未能避免，**可能導致死亡或嚴重傷害。**



**小心：**表示潛在危險情況，若未能避免，**可能導致輕微或中度傷害。**

**注意：**表示一種非人身傷害的行為，若未能避免，**可能導致財產損失。**



表示觸電危險。



表示火災危險。



**警告：**為了降低受傷的風險，必須仔細閱讀使用手冊。

#### 電動工具一般安全警告



**警告！請閱讀所有安全警告及指示。**不遵循這些警告和指示可能會導致觸電、火災及/或嚴重傷害。

請妥善保存所有的警告和使用手冊以備將來查閱

警告中的名詞「電動工具」是指電源驅動（插電）電動工具，或者電池驅動（充電）電動工具。

##### 1) 工作場地安全

- 保持工作場地清潔和明亮。混亂或黑暗的場地會引發事故。
- 不要在易爆環境，如有易燃液體、氣體或塵埃的環境中操作電動工具。電動工具產生的火花會點燃塵埃或氣體。
- 請等待兒童和旁觀者離開之後才操作電動工具。分心會導致您疏於控制。

##### 2) 電氣安全

- 電動工具插頭必須與插座相符。請勿以任何方式改裝插頭。需接地的電動工具不能使用任何配接器插頭。未經改裝的插頭和相符的插座可以減少觸電危險。
- 避免人體接觸接地表面，如管道、散熱片、爐灶和冰箱。若您的身體接地會增加觸電危險。
- 不得將電動工具暴露在雨中或潮濕環境中。水進入電動工具會增加觸電危險。

- d) **切勿濫用電線。請勿使用電線來搬運、拉動電動工具或拔出插頭。讓電線遠離熱、油、銳邊或活動部件。受損或纏繞的電線會增加觸電危險。**
- e) **若要在戶外使用電動工具，請使用適合戶外使用的延長電線。使用適合戶外使用的電線可減少觸電危險。**
- f) **若必須在潮濕場合使用電動工具，請使用漏電保護器 (RCD)。使用 RCD 可降低觸電危險。**

### 3) 人身安全

- a) **保持警覺；在操作電動工具時，請留意所執行的操作並按照一般的程式執行。切勿在疲倦，或受到藥物、酒精或治療的影響下操作電動工具。操作電動工具期間注意力分散會導致嚴重人身傷害。**
- b) **使用個人防護裝置。始終佩戴護目鏡。防護裝置，例如在適當條件下使用的防塵面具、防滑安全鞋、安全帽或聽力保護等裝置可減少人身傷害。**
- c) **避免意外 動。連接電源和/或電池組、檢取或搬運電動工具之前，請確定開關處於關閉位置。搬運電動工具時若將手指放在開關上，或是在接通開關電源時插入插頭都會引發危險。**
- d) **接通電動工具之前，請卸下所有的調整鑰匙或扳手。遺留在電動工具旋轉部件上的扳手或鑰匙會導致人身傷害。**
- e) **不要過度伸張雙手。時刻注意腳下和身體的平衡。如此即可在發生意外的情況下更好地控制電動工具。**
- f) **適當穿著。不要穿寬鬆衣服或佩戴飾品。讓您的頭髮、衣服和手套遠離活動部件。寬鬆衣服、佩飾和長髮可能會捲入活動部件。**
- g) **若配備用於連接排屑裝置、集塵設備的裝置，請確定正確連接和使用這些裝置。使用集塵設備可減少與塵埃有關的危險。**

### 4) 電動工具的使用與注意事項

- a) **不要超負荷使用電動工具。根據您的用途使用適當的電動工具。使用適當的電動工具、讓它在設計可負荷的應用內運轉，會讓您更有效、更安全地執行工作。**
- b) **若開關不能開啟或關閉電源，切勿使用該電動工具。不能用開關來控制的電動工具將存在危險，必須進行維修。**
- c) **在執行任何調整、更換配件或儲存工具之前，必須從電源上拔掉插頭及/或卸下電池組。這類防護性措施可降低電動工具意外啟動的風險。**
- d) **將閒置的電動工具儲存在兒童無法接觸的地方，並且不要讓不熟悉電動工具或對這些使用指示不瞭解的人員操作電動工具。電動工具在未經培訓的使用者手中會發生危險。**
- e) **維護電動工具。檢查活動部件是否對準或卡住、破損情況以及是否存在影響電動工具運行的其他情況。若有損毀，必須在使用之前修理電動工具。許多事故都是由於電動工具欠缺維護所導致。**
- f) **保持刀具鋒利和清潔。妥善維護、切削鋒利的切割工具不會輕易卡住並可更輕鬆控制。**
- g) **遵循使用指示以及工作條件和所要執行的工作使用電動工具、配件和工具刀頭等。不按照設計目的使用電動工具會導致危險。**

### 5) 電池工具的使用與注意事項

- a) **只能使用製造廠商指定的充電器為電池充電。使用僅適合一種電池組的充電器為其他類型的電池組充電會導致火災危險。**
- b) **請使用原廠的電動工具電池組。使用其他非原廠的電池組會導致人身傷害和火災危險。**
- c) **不使用電池組時，請將其遠離迴紋針、硬幣、鑰匙、釘子、螺絲以及其他可連通電池兩極的金屬物品。將電池兩極短路會導致灼傷或火災。**



- d) 濫用電池的情況下，液體會從電池中噴出；  
避免與液體接觸。若不小心接觸液體，請用清水沖洗。若液體噴濺到眼睛上，沖洗之後還要進行治療。從電池噴出的液體會刺激皮膚或造成灼傷。

## 6) 檢修

- a) 本電動工具必須由合格的維修人員採用相同的原廠部件來執行檢修。這將確保電動工具的安全性。

## 充電螺絲起子之附加安全指示

- 請在使用螺絲起子時佩戴聽力保護器。噪音會使聽力受損。
- 若在執行操作時切割工具可能會接觸隱藏的電線或它本身的電線，則只能從絕緣手柄表面握住電動工具。若還接觸到「帶電」導線，電動工具金屬部件表面也會「帶電」，從而導致操作人員觸電。

## 剩餘風險

使用電鑽具有以下危險：

- 接觸旋轉部件或工具的高溫部件導致的傷害。

即使應用有關的安全規定並採用安全設備，仍然還有一些無法避免的剩餘風險。危險包括：

- 聽力受損。
- 更換配件時擠壓手指的危險。
- 在木材工作環境下產生的可吸入塵埃對健康的危害。
- 飛散的顆粒引起的人身傷害風險。
- 長時間使用引起的人身傷害風險。

## 工具上的標誌

工具上可能會附帶下列圖示：



使用前請閱讀使用手冊。

## 日期碼的位置

日期碼也包括製造年份，已經印刷在工具外殼上電池安裝接口的表面上。

範例：

2013 XX XX

製造年份

## 所有電池充電器之重要安全指示

請保存這些安全指示：本手冊提供有關 DCB095 充電器的重要安全和操作指示。

- 在使用充電器之前，請先閱讀充電器、電池組和採用電池組的產品上的所有的指示及警告標記。



**警告：**觸電危險。切勿讓任何液體進入充電器，否則可能會導致觸電。



**小心：**灼傷危險。為了減低受傷風險，只可以使用 DEWALT 可充電電池。其他非原廠電池可能會爆裂，導致人身傷害和損害。



**小心：**必須監督小孩，確保他們沒有耍玩器具。

**注意：**在某些情況下，充電器連接到電源後，充電器內暴露的充電觸頭會被異物導致短路。導電的異物，包括但不限於鋼絲絨、鋁箔紙或任何由金屬粒子組成的物件，必須要遠離充電器範圍。在拔掉充電器的電源之前，一定要卸下充電器裡的電池組。請先拔掉電源插頭後再清潔充電器。

- 切勿嘗試使用本手冊未提到的充電器替電池組充電。充電器和電池組是為了一同使用而特別設計。
- 除了為 DEWALT 可充電電池充電之外，這些充電器不可以用於其他用途。否則可能會導致火災、觸電或觸電致死。
- 切勿把充電器暴露在雨、雪之中。

- **中斷充電器的電源時，請拔除插頭而不要拉扯電線。**這樣會減低電源插頭和電線損壞的風險。
- **請確保電線的位置不會被踐踏、令人絆倒或引起其他方式的損壞或受壓。**
- **除非絕對需要，否則請勿使用延長電線。**使用不適當的延長電線會引起火災、觸電或觸電致死。
- **請勿將任何物件放在充電器上面，或是把充電器放在可能會堵住通風槽的柔軟表面，導致充電器的內部過熱。**請將充電器放到遠離熱源的位置。充電器通過外殼頂部和底部的通風槽散熱。
- **切勿操作電線或插頭損壞的充電器** — 請立即更換損壞的部分。
- **如果充電器受到重、墜落或出現其他損壞情況，請勿操作充電器，並拿到授權維修中心修理。**
- **切勿自行拆卸充電器。需要維護或修理時，請拿到授權維修中心。重新組裝不當可能會導致觸電、觸電致死或火災。**
- 若電源線損毀，必須讓製造廠商、檢修代理或類似合格人員更換以避免發生危險。
- **在清潔之前，請將充電器的插頭從電源插座上拔掉，這樣可以減低觸電風險。**拆除電池組並不能夠降低這種風險。
- **切勿試圖將兩個充電器連接在一起。**
- **充電器是為標準 110 伏特的家用電源而設計。切勿試圖使用其他電壓。**本規定不適用於車載充電器。

請保存這些安全指示

## 充電器

DCB095 充電器接受 7.2 伏特鋰離子電池。這些充電器毋須調節，極易使用。

## 充電程序 (圖 2)

1. 放進電池組前，先將充電器 (k) 的插頭插到適當的插座。
2. 將電池組 (g) 放進充電器。確保電池安裝到位，使得釋放門 (f) 與充電指示燈 (j) 位於同一側。紅燈 (充電中) 會不斷閃爍，這表示充電程序已經開始。
3. 當紅燈會持續亮起時，代表充電完成。這個時候，電池組的電力全滿，可以立即使用或是留在充電器裡。

注：為了確保鋰離子電池的效能和使用壽命最大化，在第一次使用電池組之前必須將它完全充電。

## 充電過程

請見下表瞭解電池組的充電狀態。

充電狀態	
充電中	— — — —
電力全滿	—————
電池組熱/冷延遲	— — — —
更換電池組	●●●●●●●●

## 電池組熱/冷延遲

當充電器偵測到電池過熱或過冷，就會自動啟動電池組熱/冷延遲，在電池達到適合的溫度之前暫停充電。然後，充電器會自動轉換到電池組充電模式。這項功能有效地延長了電池的壽命。

### 只限鋰離子電池組

鋰離子電池設計有電子保護系統，保護電池免受過載、過熱或深度放電。如果電子保護系統啟動，本工具會自動關閉。如果出現此情況，請將鋰離子電池放進充電器直到電力全滿。

## 所有電池組之重要安全指示

購買更換電池組時，務必附上目錄號和電壓資料。包裝內的電池組並未完全充電。在使用電池組和充電器之前，請先閱讀以下安全指示並遵循所列的充電程序。

## 請閱讀所有指示

- 不要在易爆環境，如有易燃液體、氣體或塵埃的環境中進行充電或使用電池。將電池組放進充電器或拆除電池可能會點燃塵埃或氣體。
- 切勿強行將電池放進充電器。請勿以任何方式改裝電池組以在不相容的充電器中使用，否則電池組可能會破裂，導致嚴重人身傷害。
- 只可使用 DEWALT 充電器為電池充電。
- 請勿將水分或其他液體飛濺到電池組或將電池組浸沒。
- 請勿在溫度可能達到或超過 40°C(105°F) 的地方儲存或使用本工具和電池組（例如夏季時沒有遮擋的地方或金屬建築物）。



**警告：**不論是因為任何理由，都不要嘗試打開電池。如果電池組的外殼破裂或損毀，請勿放進充電器。請勿撞擊、摔落或損毀電池組。請勿使用受到重擊、墜落或出現其他損壞情況的電池組或充電器（例如釘子刺穿、以錘子敲打或踩踏），否則可能會引起觸電或觸電致死。損毀的電池組應該送回維修中心進行回收。



**小心：**不使用工具時，請將工具放在穩定的表面上，以免導致絆倒或墜落等危險。一些具有大型電池組的工具可以直立但可能會輕易被撞到。

## 鋰離子電池之特殊安全指示

- 即使電池組已嚴重損毀或磨損，請勿焚燒電池組。電池組可能會在火中爆炸。焚燒鋰離子電池組時會產生有毒氣體和物料。
- 如果電池液體接觸到皮膚，請立即以中性肥皂和清水沖洗接觸範圍。若電池液進入眼睛，立即用清水沖洗 15 分鐘或直到刺激消失。如果需要接受治療，電池的電解質由液化有機碳酸鹽和鋰鹽構成。

- 開啟的電池中的物質可能會刺激呼吸道。提供新鮮空氣。如果症狀持續，請尋求醫療救助。



**警告：**燒傷危險。電池液如遇到火花或火焰將會引起燃燒。

## 電池組

## 電池類型

DCF680 使用 7.2 伏特電池組。

## 儲存建議

1. 乾燥、涼爽、太陽不會直接照射、不會過熱或過冷的地方，就是電池組的最佳存放地點。為達到最大效能和壽命，不使用電池時請以室溫儲存電池組。
2. 欲長期儲存，建議將電力全滿的電池組從充電器卸下，儲存於涼爽、乾燥處，使電池組效能達到最佳。

**注：**電池組不應在電力耗盡的情況下儲存。在使用之前需要為電池組再次充電。

## 充電器和電池組上的標籤

除了本手冊的圖示之外，充電器和電池組上的標籤包含以下圖示：



使用前請閱讀使用手冊。



電池充電中。



電池充電完畢。



電池受損。



電池組熱/冷延遲。



切勿插入導體。



不要為損毀的電池組充電。



只可以使用 DEWALT 電池組。其他電池可能會爆裂，造成人身傷害及損毀。



切勿接觸水分。



立即更換損壞的電線。



只在溫度介於 4°C 至 40°C 之間充電。



棄置電池組時要顧及環保。

LI-ION



切勿焚化電池組。



充電時間見**技術資料**。



僅供室內使用。

## 套裝內的物件

本套裝包括：

- 1 個充電螺絲起子
- 1 個充電器
- 2 個電池組（G2 型號）
- 1 個電池組（G1 型號）
- 1 個工具箱（G2 型號）
- 1 本使用手冊
- 1 份分解圖

- 檢查工具、部件或配件有否在運送途中損壞。
- 操作前，請詳細閱讀和掌握本使用手冊的內容。

## 說明（圖 1）



**警告：**切勿改裝本電動工具或其任何部件，否則可能導致損壞或人身傷害。

- a. 運動控制啟動觸發器
- b. 鎖止按鈕
- c. LED 工作燈
- d. 釋放按鈕
- e. 電池電量計
- f. 電池釋放按鈕

- g. 電池組
- h. 夾頭套管
- i. 扭矩調整環

## 設計用途

DCF680 螺絲起子是為專業螺旋應用而設計。

**切勿**在潮濕有水或存有易燃液體或氣體的環境下使用本工具。

此螺絲起子是專業的電動工具。

**不要**讓兒童接觸本工具。缺乏經驗的操作人員需要在監督下使用本工具。

- 體力、感覺或智力不足，以及缺乏經驗、知識或技能的人員（包括兒童）不適合使用本產品，除非一旁有能為他們的安全負責的監督人員。切勿讓兒童單獨接觸本工具。

## 電氣安全

電動機只適用一種電壓。請務必檢查電池組的電壓是否與銘牌一致，並且確保充電器的電壓與電源電壓一致。



DeWALT 充電器根據 EN60335 進行雙重絕緣，因此不需要使用接地線。



**警告：**110 伏特裝置必須透過失靈安全隔離變壓器運作，在初級繞組和次級繞組之間使用接地屏蔽。

如果電源線損壞，必須使用 DeWALT 維修機構提供的專用電源線進行更換。

## 使用延長電纜

如非絕對必要，否則不要使用延長電纜。請使用與充電器的輸入功率相配的認可延長電纜（請見**技術資料**）。導體的最小尺寸為 1 平方公釐；最長為 30 公尺。

使用電纜捲筒時，每次必須把電纜完全展開。

## 裝配與調整



**警告：**每次進行組裝和調整之前，務必取出電池組。放進或取出電池組之前，務必關閉工具。



**警告：**僅可以使用 DEWALT 電池組和充電器。

## 放進及取出工具的電池組 (圖 2)



**警告：**為了減低造成嚴重人身傷害的風險，在進行任何調整或卸下或安裝附件或配件之前，切記關掉工具並取出電池組。意外啟動工具可能會造成傷害。

**注：**請確保電池組 (g) 完全充滿。

將電池組安裝到工具手柄中

1. 將電池組和工具手柄裡的凹槽對齊 (圖 2)。
2. 將電池組緊緊地滑入手柄，直到聽到鎖定位的聲音。

從工具取出電池組

1. 按下釋放按鈕 (1)，將電池組從工具手柄中穩妥地拉出。
2. 按照本手冊有關充電器的章節所述，將電池組放進充電器。

電池電量計 (圖 1,2)

DEWALT 充電螺絲起子帶有包含三個綠色 LED 燈的電量計，可以指示電池組的剩餘電量。

若要啟用電量計，請按住運動控制啟動觸發器 (a)。三個綠色 LED 燈將以組合方式亮起，以指示剩餘電量。電池電量低於可用限值時，電量計不會亮起，此時需要對電池充電。

**注：**電量計只指示電池組的剩餘電量。它並不指示工具功能，且根據工具組件、溫度和最終使用者的應用而有所不同。

## 起子頭安裝 (圖 4)

若要安裝起子頭，請將起子頭插入夾頭，直到夾具鎖定到位。

若要卸下起子頭，請向前拉動尖頭套管 (h)。然後卸下起子頭並且鬆開套管。

## 雙位螺絲起子 (圖 3)

若要將工具轉換成角形螺絲起子，請按下釋放按鈕 (d) 並旋轉工具的頂部，如圖 3 所示。

**注意：**在任一位置都不能將螺絲起子用作撬杆。



**小心：**若要避免螺絲起子意外開啟，請將鎖止開關 (b) 向上撥至鎖止位置。

## 扭矩調整環 (圖 1)

扭矩調節環 (i) 標有編號和 MAX 符號。若要設定扭矩，請將所需的設定與工具外殼上的箭頭保持一致。調整環上的編號越大，扭矩越高。若要鎖定夾頭以進行繁重的鎖緊操作，請移至 MAX 位置，否則夾頭會在您試圖鎖緊時滑動。

操作之前

- 確保您的電池組已 (完全) 充電。
- 插入相應的起子頭。

## 操作

### 使用說明



**警告：**務必遵守安全指示和適用的規則。



**警告：**為了減低造成嚴重人身傷害的風險，在進行任何調整或卸下或安裝附件或配件之前，切記關掉工具並取出電池組。

## 正確的雙手放置位置 (圖 5)



**警告：**為了減低造成嚴重人身傷害的風險，**務必**如圖示那樣正確放置雙手。



**警告：**為了減低造成嚴重人身傷害的風險，**預期**有突然反應時**務必**握緊。

正確的雙手放置位置是一只手握住主手柄，如圖所示。



**警告：**如果工具將用於拉長位置和高度的 MR，請使用雙手握住工具，如圖 5b 所示。

## 螺旋操作（圖 1, 5a）

螺絲起子採用陀螺儀技術來感應您的手部動作。若要操作，請按下運動控制啟動觸發器並朝要使用螺絲起子的方向轉動您的手。

### 設定初始起點

1. 抓住螺絲起子，如圖 5a 所示。
2. 按住運動控制啟動觸發器。
3. LED 燈亮起時，工具已準備就緒。
4. 若要重設初始起點，請先釋放運動控制啟動觸發器。將工具移至新位置，然後按住運動控制啟動觸發器。

### 正向操作

1. 抓住螺絲起子，如圖 5a 所示。
2. 將扣件的頭部與工件上的螺絲起子配件啮合。按照說明設定初始起點。
3. 順時針轉動您的手，螺絲起子將正向啟動。

### 反向操作

1. 抓住螺絲起子，如圖 5a 所示。
2. 將扣件的頭部與工件上的螺絲起子配件啮合。按照說明設定初始起點。
3. 逆時針轉動您的手，螺絲起子將反向啟動。

若要關閉工具，請釋放運動控制啟動觸發器。

**注：**不使用工具時或在運輸過程中，請務必從工具上拆下所有配件並啟動觸發器鎖 (b)。

### 變速

- 主軸速度取決於您轉動手的速度。

- 轉動手的速度越慢，螺絲起子轉動的速度也越慢。
- 轉動手的速度越快，螺絲起子轉動的速度也越快。
- 如果您要增加主軸速度，請朝相同方向繼續向前轉動您的手。
- 如果您要降低主軸速度，請朝初始起點方向往回轉動您的手。

## 維護

DeWALT 電動工具採用卓越的設計，能夠長時間使用，並且只需最少的維護。若要持續獲得滿意的操作效果，需進行正確的工具維護和定期的清潔。



**警告：**為了減低造成嚴重人身傷害的風險，在進行任何調整或卸下或安裝附件或配件之前，**切記**關掉工具並取出電池組。意外啟動工具可能會造成傷害。

充電器和電池組是不可檢修的裝置。充電器和電池組內不含可檢修的部件。



## 潤滑

本電動工具毋需額外潤滑。



## 清潔



**警告：**一旦通風口及其周圍積聚可見的塵埃，請立即使用乾燥的壓縮空氣吹掉主機外殼內的塵埃和灰塵。執行此步驟時，請佩戴經認可的護目裝備和防塵面罩。



**警告：**切勿使用溶劑或其他刺激性化學品來清潔工具的非金屬部件。這些化學品可能會削弱部件中使用的材料。只能使用抹布蘸中性肥皂水進行

清潔。不要讓任何液體進入工具；不要讓工具的任何部分浸入液體中。

和售後服務及聯絡資料之詳細資訊，網址是：  
[www.2helpU.com](http://www.2helpU.com)。

### 充電器清潔指示



**警告：**觸電危險。在清潔之前，請將充電器的插頭從電源插座上拔掉。使用軟布或非金屬軟刷，去除充電器外部的污垢和油脂。請勿使用水或任何清潔劑。

進口商:永安實業股份有限公司

地址:新北市三重區新北大道二段137號

電話:02-29994633

### 選購配件



**警告：**由於非 DeWALT 所提供的配件未在本產品上進行過使用測試，在本產品上使用這些配件可能會引發危險。為降低傷害危險，在本產品上只應使用 DeWALT 所推薦的配件。

如需進一步瞭解適用配件的相關資訊，請洽詢當地經銷商。

### 保護環境



分類收集。本產品必須與一般家庭廢物分開處置。

若您發現您的 DeWALT 產品需要進行更換，或您已經不再需要使用這些產品，請不要將它們與家庭廢物一起處置。務必將本產品送往分類收集處。



分類收集用過的產品和包裝允許材料循環再生利用。重新使用循環利用的材料有助於防止環境污染，並減少原材料的需求。

當地法規可能要求由市政廢物回收點，或由向您出售新產品的經銷商來提供從家庭中分類收集電子產品的服務。

DeWALT 提供設施收集和回收使用壽命結束的 DeWALT 產品。若要享受此項服務，請將產品送回任一授權維修中心，由其代表我們進行收集。

請根據本手冊上所提供地址與當地 DeWALT 辦事處聯絡，查詢離您最近的授權維修中心所在位置。亦可瀏覽網站查詢 DeWALT 授權維修中心清單

## 7.2 V 고성능 충전식 드라이버 DCF680

### 축하합니다!

DEWALT 공구를 선택해 주셔서 감사합니다. DEWALT는 오랜 경험과 제품 개발 및 혁신을 통해 전문 전동 공구 사용자들이 인정하는 기업으로 자리잡아 왔습니다.

### 기술 데이터

		DCF680
전압	$V_{DC}$	7.2
유형		1
무부하회전수	$min^{-1}$	0-430
최대 토크	Nm	4.0
공구 홀더	mm	6.35 육각
무게 (배터리 팩 제외)	kg	0.42

배터리 팩		DCB080
배터리 유형		리튬 이온
전압	$V_{DC}$	7.2
용량	$A_h$	1.0
무게	kg	0.08

충전기		DCB095
전원 전압	$V_{DC}$	220-240
충전 시간	분	60
무게	kg	0.2

### 정의: 안전 지침

다음 정의는 각 경고 문구의 심각도를 설명합니다. 사용 설명서를 읽고 다음 기호들에 유의하십시오.



**위험:** 임박한 위험 상태를 나타내며, 방지하지 않으면 **사망 또는 심각한 부상을 초래할 수 있습니다.**



**경고:** 잠재적 위험 상태를 나타내며, 방지하지 않으면 **사망 또는 심각한 부상을 초래할 수 있습니다.**



**주의:** 잠재적 위험 상태를 나타내며, 방지하지 않으면 **경미한 부상을 초래할 수 있습니다.**

**참고:** 신체 부상을 초래하지 않는 행위를 나타내며, 방지하지 않으면 **재산상의 손해가 발생할 수 있습니다.**



감전 위험을 나타냅니다.



화재 위험을 나타냅니다.



**경고:** 부상 위험을 줄이려면 사용 설명서를 숙지하십시오.

### 전동 공구에 관한 일반 안전 경고



**경고! 모든 안전 경고와 모든 지시사항을 읽으십시오.** 경고와 지시 사항을 준수하지 않으면 감전, 화재 및/또는 심각한 부상을 초래할 수 있습니다.

향후 참고할 수 있도록 모든 경고 및 지시 사항을 보관해두십시오.

경고에서 사용된 "전동 공구" 라는 용어는 주 공급 전원에 의해 전기가 공급되는(유선) 전동 공구 또는 충전식(무선) 전동 공구를 의미합니다.

#### 1) 작업 영역 안전

- 작업 영역을 청결하고 밝게 유지하십시오. 혼잡하거나 어두운 작업장에서는 사고가 발생할 수 있습니다.
- 가연성 액체, 가스 또는 먼지 등 폭발 가능성이 있는 환경에서 전동 공구를 사용하지 마십시오. 전동 공구에서 먼지나 가스를 발화시킬 수 있는 불꽃이 될 수 있습니다.
- 전공 공구를 사용하는 동안에는 어린이와 주변 사람들이 가까이 오지 못하게 하십시오. 주변이 산만해져 통제력을 잃을 수 있습니다.

#### 2) 전기 안전

- 전동 공구의 플러그는 콘센트와 형식이 일치해야 합니다. 플러그를 어떤 방식으로든 절대 개조하지 마십시오. 접지된(지면 접지) 전동 공구에서 어떤 어댑터 플러그도 사용하지 마십시오. 개조되지 않은 플러그 및 형식이 일치하는 콘센트를 사용하면 감전 위험이 줄어듭니다.
- 파이프, 라디에이터, 렌지 및 냉장고 등과 같이 접지된 표면에 몸이 닿지 않도록 하십시오.



- 신체가 접지되어 있으면 감전 위험이 높아집니다.
- c) **전동 공구를 비 또는 습한 환경에 노출하지 않도록 주의하십시오.** 전동 공구에 물이 들어가면 감전 위험이 높아집니다.
- d) **코드를 함부로 다루지 마십시오.** 코드를 사용하여 전동 공구를 운반하거나 잡아당기거나 플러그를 뽑지 마십시오. 열, 오일, 날카로운 모서리 또는 움직이는 부품에서 멀리 떨어진 장소에 코드를 보관하십시오. 코드가 손상되거나 얽혀 있으면 감전 위험이 높아집니다.
- e) **전동 공구를 실외에서 사용할 때는 실외 사용에 적합한 연장 코드를 사용하십시오.** 실외 사용에 적합한 코드를 사용하면 감전 위험이 줄어듭니다.
- f) **어쩔 수 없이 습한 장소에서 전동 공구를 사용해야 하는 경우에는 누전 차단기(RCD)로 보호된 전원 공급 장치를 사용하십시오.** RCD를 사용하면 감전 위험이 줄어듭니다.
- 3) 신체 안전**
- a) **전동 공구로 작업할 때는 방심하지 말고 작업에 주의하면서 상식에 따르십시오.** 피곤한 상태이거나 약물, 술, 치료제를 복용한 상태에서는 전동 공구를 사용하지 마십시오. 전동 공구를 사용하는 중에 주의력을 잃어 순간적으로 부상을 당할 수 있습니다.
- b) **신체 보호 장구를 착용하십시오. 항상 보안경을 착용하십시오.** 적절한 상황에서 방진 마스크, 미끄럼 방지 안전화, 안전모 또는 청력 보호 기구 등의 보호 장비를 사용하면 신체 부상 위험이 줄어듭니다.
- c) **의도하지 않은 장비 가동 방지. 전원 및/또는 배터리 팩에 연결한 상태로 공구를 선택 또는 운반할 때는 사전에 스위치가 꺼짐 위치에 있는지 반드시 확인하십시오.** 스위치가 켜짐 위치에 있는 상태에서 스위치에 손가락이 닿은 상태로 전동 공구를 운반하거나 전동 공구에 전원을 공급하면 사고가 발생할 수 있습니다.
- d) **전동 공구를 켜기 전에 모든 조정 키 또는 렌치를 제거하십시오.** 전동 공구의 회전 부품에 렌치나 키가 부착되어 있으면 부상을 당할 수 있습니다.
- e) **무리하게 팔을 뻗지 마십시오. 항상 올바른 자세로 서서 균형을 유지하십시오.** 그러면 예기치 않은 상황에서의 전동 공구 제어 능력이 향상됩니다.
- f) **적절한 의복을 착용합니다. 헐렁한 옷이나 장신구를 착용하지 마십시오. 머리카락, 옷 및 장갑이 움직이는 부품에 닿지 않도록 유의하십시오.** 헐렁한 옷, 장신구 또는 긴 머리가 움직이는 부품에 걸 수 있습니다.
- g) **먼지 배출 및 집진 시설 연결을 위한 장치 제공된 경우, 이를 장치가 연결되어 적절히 사용되고 있는지 반드시 확인하십시오.** 집진 장치를 사용하면 먼지와 관련된 위험을 줄일 수 있습니다.
- 4) 전동 공구 사용 및 주의 사항**
- a) **전동 공구에 무리한 힘을 가하지 마십시오.** 해당 용도에 맞는 올바른 전동 공구를 사용하십시오. 올바른 전동 공구를 사용해야 설계된 속도로 작업을 더욱 안전하고 정확하게 수행할 수 있습니다.
- b) **스위치로 켜지고 꺼지지 않는 전동 공구는 사용하지 마십시오.** 스위치로 제어되지 않는 전동 공구는 위험하며 수리해야 합니다.
- c) **전동 공구를 조정하거나 액세서리를 변경하거나 보관하기 전에 전원 및/또는 배터리 팩에서 플러그를 빼십시오.** 이러한 예방적 안전 조치를 따라야 전동 공구가 갑자기 작동할 위험이 줄어듭니다.
- d) **사용하지 않는 전동 공구는 어린이의 손이 닿지 않는 곳에 보관하고, 전동 공구나 본 지시 사항에 익숙하지 않은 사람이 전동 공구를 절대 사용하지 못하게 하십시오.** 전동 공구는 훈련을 받지 않은 사용자가 다루면 위험합니다.
- e) **전동 공구 유지 보수. 움직이는 부품의 잘못된 정렬이나 바인딩, 부품 파손 및 기타 전동 공구의 작동에 영향을 미칠 수 있는 상태가 있는지 확인하십시오.** 손상된 부분이 있는 경우 사용하기 전에 전동 공구를 수리하십시오. 많은 사고는 전동 공구를 제대로 유지 보수하지 않아 발생합니다.
- f) **절삭 공구를 예리하고 깨끗한 상태로 유지하십시오.** 절단지식 가장자리를 예리하게 잘 유지하면 절단기를 사용할 때 바인딩이 적고 다루기가 용이합니다.
- g) **작업 환경과 수행할 작업을 고려하여, 본 지시 사항에 따라 전동 공구, 액세서리 및 톨 비트 등을 사용하십시오.** 본 사용 설명서의 내용과 다른 용도로 전동 공구를 사용하면 위험한 상황이 발생할 수 있습니다.

5) 배터리 공구 사용 및 주의 사항

- a) **다시 충전할 때는 제조업체에서 지정한 충전기만 사용하십시오.** 한 배터리의 팩 유형에 적합한 충전기를 다른 배터리의 팩과 함께 사용할 경우 화재의 위험이 있습니다.
- b) **전동 공구를 사용할 때는 구체적으로 지정되어 있는 배터리의 팩만 사용하십시오.** 다른 배터리의 팩을 사용하면 부상을 입거나 화재의 위험이 있습니다.
- c) **배터리 팩을 사용하지 않을 때에는 클립, 동전, 키, 못, 나사 등의 금속 물체나, 단자 간에 연결할 수 있는 작은 금속 물체가 닿지 않도록 멀리 두십시오.** 배터리 단자가 단락되면 화상을 입거나 화재가 발생할 위험이 있습니다.
- d) **배터리를 과다 사용하면 액체가 배터리에서 흘러 나올 수 있으므로 접촉을 피하십시오. 실수로 접촉한 경우에는 물로 씻으십시오. 액체가 눈에 들어간 경우 치료를 받으십시오.** 배터리에서 나온 액체는 통증을 유발하거나 화상을 입힐 수 있습니다.

6) 정비

- a) **자격을 갖춘 기술자가 동일 교체 부품을 사용하여 정비 작업을 수행해야 합니다.** 그래야 전동 공구의 안전이 보장됩니다.

충전식 드라이버 관련 추가 안전 지시 사항

- **드라이버 사용 시 귀 보호 장구를 착용하십시오.** 소음에 노출되면 청력이 손상될 수 있습니다.
- **절삭 공구가 숨겨진 배선 또는 자재 코드에 접촉할 수 있는 작업을 수행할 때는 절연된 부분으로 전동 공구를 잡으십시오.** 또한 "전류가 흐르는" 전선과 접촉하면 전동 공구의 노출된 금속 부분에 "전류가 흘러" 작업자가 감전될 수도 있습니다.

기타 발생 가능한 위험

드릴 사용 시에는 다음과 같은 위험이 수반됩니다.

- 공구의 회전부를 만지거나 가열된 부위에 닿아 발생한 부상.

관련된 안전 규정을 준수하고 안전 장치를 사용한다고 해도 특정한 위험은 피할 수 없습니다. 이러한 위험은 다음과 같습니다.

- 청력 손상
- 액세서리를 교체할 때 손가락이 끼일 위험

- 나무 가공 시 발생한 먼지를 들이마셔서 발생할 수 있는 건강 위험.
- 파편 날림으로 인한 신체 부상 위험.
- 장시간 사용으로 인한 신체 부상의 위험

공구에 표시된 마크

공구에는 다음과 같은 그림이 있습니다.



사용 전에 사용 설명서의 내용을 숙지하십시오.

날짜 코드 위치

날짜 코드에는 제조년도가 포함되어며 이 제조년도는 공구와 배터리의 탑재 이음부가 되는 케이스에 인쇄되어 있습니다.

예:

2013 XX XX  
제조년도

모든 배터리 충전기에 대한 중요한 안전 지침

**본 지침을 잘 보관해 두십시오.** 본 사용 설명서에는 DCB095 배터리 충전기에 대한 중요한 안전 및 작업 지침이 포함되어 있습니다.

- 충전기를 사용하기 전에 충전기, 배터리 팩, 그리고 배터리 팩 관련 제품에 대한 지침과 주의 표시를 숙지하십시오.



**경고:** 감전 위험. 충전기 내부에 액체가 들어가지 않도록 하십시오. 감전될 수 있습니다.



**주의:** 화재 위험. 신체 부상의 위험을 줄이려면 DEWALT 충전용 배터리로만 충전하십시오. 다른 유형의 배터리는 폭발로 인한 신체 부상과 손상을 초래할 수 있습니다.



**주의:** 어린이가 본 제품을 가지고 놀지 못하도록 항상 주시해야 합니다.

**참고:** 특정 조건에서, 충전기가 전원 공급기에 연결되어 있으면 충전기 내부에 노출된 충전 접점이 이물질에 의해 단락될 수 있습니다. 스틸 울(steel wool), 알루미늄 호일, 금속 입자 축적물 등의 전도성 이물질은 충전기 캐비티에 닿지 않게 두어야 합니다. 캐비티 안에 배터리 팩이

없을 경우 항상 배터리 전원 공급기에서 충전기의 플러그를 뽑으십시오. 충전기를 청소할 때는 플러그를 뽑아야 합니다.

- **본 사용 설명서에 명시된 충전기 외의 다른 충전기로 배터리 팩을 충전하지 마십시오.** 본 충전기와 배터리 팩은 함께 사용하도록 특수 설계되었습니다.
- **이 충전기는 DEWALT 충전용 배터리 충전 이외의 용도로는 사용할 수 없습니다.** 다른 용도로 사용하면 화재, 감전 또는 감전사의 위험이 있습니다.
- **충전기가 비나 눈을 맞지 않도록 하십시오.**
- **충전기를 분리할 때는 코드가 아닌 플러그를 쥐고 뽑으십시오.** 그래야만 전기 플러그 및 코드 손상의 위험이 줄어듭니다.
- **코드가 밟히거나 걸리거나 기타 원인에 의해 손상되거나 압박을 받지 않도록 유의하십시오.**
- **불가피한 경우가 아니면 연장 코드를 사용하지 마십시오.** 연장 코드를 잘못 사용하면 화재, 감전 또는 감전사의 위험이 있습니다.
- **충전기 위에 물건을 올려놓거나 부드러운 표면에 충전기를 두면 환기 슬롯이 막혀 내부가 과열될 수 있습니다.** 충전기는 열원에 가까이 두지 마십시오. 충전기는 하우징의 상단과 하단에 있는 슬롯을 통해 환기됩니다.
- **코드나 플러그가 손상된 충전기를 작동시키지 마십시오.** — 즉시 교체하십시오.
- **심한 충격을 받았거나 떨어뜨렸거나 기타의 방식으로 손상된 경우에는 충전기를 작동시키지 마십시오.** 공인 서비스 센터로 가져가십시오.
- **충전기를 분해하지 마십시오.** 서비스나 수리가 필요한 경우에는 공인 서비스 센터로 가져가십시오. 잘못 재조립하면 화재, 감전 또는 감전사의 위험이 있습니다.
- **전원 코드가 손상된 경우 사고 방지를 위해 제조업체, 서비스 대리점 또는 이에 준하는 자격을 가진 수리 기술자를 통해 즉시 교체하십시오.**
- **청소하려면 먼저 충전기를 콘센트에서 분리하십시오.** 그래야 감전 위험이 줄어듭니다. 배터리 팩을 제거하는 것만으로 이러한 위험이 줄어들지는 않습니다.
- **절대로 충전기 두 개를 함께 연결하지 마십시오.**
- **충전기는 가정용 표준 전력(220~240V)으로**

**작동하도록 설계되어 있습니다. 다른 전압에서는 사용하지 마십시오.** 공용 충전기는 제외됩니다.

**본 지침을 잘 보관해 두십시오.**

## 충전기

DCB095 충전기는 7.2V 리튬 이온 배터리를 사용합니다. 이러한 충전기는 어떠한 조절 작업도 필요 없으며 최대한 작동하기 쉽게 설계되었습니다.

## 충전 절차 (그림 2)

1. 배터리 팩을 넣기 전에 충전기(k)를 적절한 콘센트에 꽂습니다.
2. 배터리 팩(q)을 충전기에 넣습니다. 래치 (f)가 충전 중 표시등 (j)과 같은 쪽에 오도록 배터리를 배치하십시오. 빨간색(충전 중) 표시등 (j)이 계속 깜박이면서 충전 프로세스가 시작되었음을 알립니다.
3. 충전이 완료되면 빨간색 불이 계속 켜져 있습니다. 팩이 완전히 충전되면 바로 사용하거나 충전기에 그대로 둡니다.

**참고:** 리튬이온 배터리의 성능과 수명을 극대화하려면 처음 사용하기 전에 배터리 팩을 완전히 충전시키십시오.

## 충전 프로세스

배터리 팩의 충전 상태는 아래 표를 참조하십시오.

충전 상태	
충전 중	— — — — —
완전 충전됨	—————
냉은 팩 지연	— — — — —
배터리 팩 교체	●●●●●●●●●●

## 냉/온 팩

충전기에서 너무 뜨겁거나 차가운 배터리가 감지되면, 냉/온 팩 지연이 자동으로 시작되어 배터리가 적절한 온도가 될 때까지 충전이 중단됩니다. 이 과정이 끝나면 충전기가 자동으로 팩 충전 모드로 전환됩니다. 이 기능은 배터리 수명을 최대한으로 보장하기 위한 것입니다.

## 리튬이온 배터리 팩에만 해당

리튬이온 배터리는 배터리에 과부하가 걸리거나 과열 또는 완전 방전되는 것을 방지하는 전자 보호 시스템으로 설계되었습니다. 이 공구는 전자 보호 시스템이 작동하면 자동으로 꺼집니다. 공구가

자동으로 꺼지면 리튬이온 배터리가 완전히 충전될 때까지 충전기에 꽂아 놓으십시오.

## 모든 배터리 팩에 대한 중요한 안전 지침

배터리 팩 교체를 주문할 때는 카탈로그 번호와 전압을 반드시 포함시켜야 합니다.

포장을 풀었을 때의 배터리 팩은 완전히 충전된 상태가 아닙니다. 배터리 팩과 충전기를 사용하기 전에 아래 안전 지침을 숙독한 후 요약되어 있는 충전 절차를 따르십시오.

### 모든 지침을 숙지하십시오.

- **가연성 액체, 가스 또는 먼지 등으로 인한 폭발할 가능성이 있는 환경에서 배터리를 충전하거나 사용하지 마십시오.** 배터리를 삽입하거나 충전기에서 제거할 때 먼지나 가스에 불이 붙을 수 있습니다.
- **충전기에 배터리 팩을 끼울 때 과도한 힘을 주지 마십시오.** 어떤 형태로든 호환되지 않는 충전기에 사용하기 위해 배터리 팩을 개조하지 마십시오. 배터리 팩이 파열되어 심각한 부상을 유발할 수 있습니다.
- **DEWALT 충전기에서만 배터리 팩을 충전하십시오.**
- **물이나 기타 액체가 튀어 묻거나 액체에 빠지지 않도록 하십시오.**
- **온도가 40° C(105° F)를 초과될 수 있는 곳 (여름철 허름한 차고 또는 금속 건물 등)에 공구와 배터리 팩을 보관하거나 이런 곳에서 사용하지 마십시오.**



**경고:** 어떤 이유로든 배터리 팩을 절대 분해하지 마십시오. 배터리 팩 케이스가 깨지거나 손상되면 충전기에 넣지 마십시오. 배터리 팩을 문개거나 떨어뜨리거나 손상시키지 마십시오. 강한 충격을 받았거나, 떨어뜨렸거나, 차에 치였거나 기타의 원인으로 어떤 방식으로든 손상된 (뚫이 박히거나 망치로 맞았거나 밟힘) 배터리 팩이나 충전기는 사용하지 마십시오. 감전 또는 감전사의 위험이 있습니다. 손상된 배터리 팩은 재활용을 위해 서비스 센터에 반환해야 합니다.



**주의:** 사용하지 않는 공구는 걸려 넘어지거나 떨어질 위험이 없는 안정된

**표면에 눕혀 두십시오.** 배터리 팩이 큰 일부 공구들은 배터리 팩 위에 바로 서 있지만 쉽게 넘어질 수 있습니다.

### 리튬 이온(Li-Ion) 전용 안전 지침

- **배터리 팩이 심하게 손상되거나 완전히 낡았다더라도 절대 소각하지 마십시오.** 배터리 팩은 불 속에서 폭발할 수 있습니다. 리튬이온 배터리 팩은 연소되면서 독성 연기와 물질을 발생시킵니다.
- **배터리 내용물이 피부에 닿으면 즉시 순한 비누와 물로 해당 부위를 씻어내십시오.** 배터리 액체가 눈에 들어갔을 경우, 15분 정도 또는 통증이 가실 때까지 눈을 뜨고 물로 씻어냅니다. 치료가 필요한 경우를 위해, 배터리 전해질은 액체 유기 탄산염과 리튬염의 혼합물로 구성되어 있음을 알아 두십시오.
- **열린 배터리 셀의 내용물은 호흡기 질환을 일으킬 수 있습니다.** 신선한 공기를 마시십시오. 증상이 계속되면 치료를 받으십시오.



**경고:** 화상 위험. 배터리액은 불꽃이나 화염에 노출되면 연소될 수 있습니다.

## 배터리 팩

### 배터리 유형

DCF680은 7.2V 배터리 팩으로 작동됩니다.

## 보관 권장 사항

1. 보관 장소로는 직사광선을 받지 않고 지나치게 덥거나 춥지 않은 시원하고 건조한 곳이 가장 좋습니다. 최적의 배터리 성능과 수명을 위해, 사용하지 않을 때에는 배터리 팩을 실온에서 보관하십시오.
2. 오랫동안 보관할 때는 최적의 결과를 위해 완전 충전된 배터리 팩을 충전기에서 꺼내 건냉한 장소에 보관하는 것이 좋습니다.

**참고:** 완전 방전 상태로 배터리 팩을 보관해서는 안 됩니다. 사용 전에 배터리 팩을 재충전해야 합니다.

## 충전기 및 배터리 팩에 부착된 레이블

본 설명서에 사용된 그림 외에도 충전기 및 배터리 팩에 부착된 레이블에는 다음과 같은 그림이 표시되어 있습니다.



사용 전에 사용 설명서의 내용을 숙지하십시오.



배터리 충전 중.



배터리 충전 완료.



배터리에 결함 있음.



냉/온 팩 지연.



전도성 있는 물체로 시험하지 마십시오.



손상된 배터리 팩을 충전하지

DEWALT 배터리 팩만 사용하십시오. 다른 유형의 배터리 팩은 폭발로 인한 신체 부상과 손상을 초래할 수 있습니다.



DCB095



물에 닿지 않도록 하십시오.



손상된 코드는 즉시 교체하십시오.



4°C ~ 40°C 사이에서만 충전하십시오.



환경 보호 차원에서 배터리 팩을 폐기하십시오.



배터리 팩을 소각하지 마십시오.



충전 시간은 **기술 데이터** 를 참조하십시오.



실내 전용.

## 포장 내용물

포장에는 다음 내용물이 들어 있습니다.

충전식 드라이버 1개

충전기 1개

배터리 팩 (G2 모델) 2개

배터리 팩 (G1 모델) 1개

공구박스 (G2 모델) 1개

사용 설명서 1개

분해도 1개

- 운반 중에 발생할 수 있는 공구, 부품 또는 액세서리의 손상 여부를 확인하십시오.
- 작동 전에 시간을 내어 본 사용 설명서를 읽고 숙지하십시오.

## 설명 (그림 1)



**경고:** 전동 공구 또는 전동 공구의 어떤 부품도 절대 개조하지 마십시오. 제품이 파손되거나 신체 부상을 당할 수도 있습니다.

- 동작 제어 작동 트리거
- 락오프 스위치
- LED 작업등
- 탈착 버튼
- 배터리 잔량표시계
- 배터리 탈착 버튼
- 배터리 팩
- 척 슬리브
- 토크 조절 칼라

## 용도

DCF680 드라이버는 전문가용 드라이버 장비로 제작되었습니다.

습한 환경이나 가연성 액체 또는 가스가 있는 장소에서 사용하지 **마십시오**.

어린이가 이 공구를 만지지 **않도록 하십시오**. 경험이 없는 작업자가 이 공구를 사용할 때는 감독자의 지도가 필요합니다.

- 이 제품은 신체, 지각 또는 정신 능력이 낮거나 경험 및 지식 또는 기술이 부족한 사람(어린이 포함)이 사용하도록 설계되어 있지 않았습니다. 이러한 사람이 사용할 때는 안전 책임자의 감독이 필요합니다. 이 제품 옆에 어린이들이 있게 해서 는 안됩니다.

## 전기 안전

전기 모터는 한 가지 전압에만 맞추어 설계되었습니다. 배터리 팩 전압이 명판에 기재된 전압과 일치하는지 항상 확인하십시오. 또한 충전기의 전압이 주전원의 전압과도 일치하는지 확인하십시오.



DEWALT 충전기는 EN 60335에 따라 이중 절연되어 있습니다. 따라서 접지선이 필요하지 않습니다.



**경고:** 115 V 기기는 첫 번째 감은 것과 두 번째 감은 것 사이의 접지판과 함께 안전 페일 세이프 절연 변압기를 통해 작동되어야 합니다.

전원 코드가 손상된 경우에는 DEWALT 서비스 센터를 통해 특수 제작된 코드로 교체해야만 합니다.

## 연장 케이블 이용

연장 코드는 가급적 사용하지 말아주세요. 사용 중인 전원공급기 정격전원에 맞는 승인된 연장 코드를 사용하십시오. **(기술 데이터 참조)**. 최소 도체 크기는 1mm<sup>2</sup>, 최대 길이는 30m 입니다.

케이블 릴을 사용할 때는 항상 케이블을 완전히 푸십시오.

## 조립 및 조정



**경고:** 조립 및 조정 작업 전에는 항상 배터리 팩을 분리하십시오. 배터리 팩을 끼우거나 분리하기 전에 항상 공구 스위치를 끄십시오.



**경고:** DEWALT 배터리 팩과 충전기만 사용하십시오.

## 배터리 팩 삽입 및 공구에서 배터리 팩 분리(그림 2)



**경고:** 심각한 신체 부상의 위험을 줄이려면 공구를 조정하거나 부착물 또는 액세서리를 제거/설치하기 전에 공구를 끄고 배터리 팩을 분리하십시오. 공구가 갑자기 작동하여 부상을 당할 수 있습니다.

**참고:** 배터리 팩 (g)이 완전히 충전되었는지 확인하십시오.

공구 핸들에 배터리 팩을 설치하려면 다음 절차를 따르십시오.

1. 공구 핸들 안쪽의 들어간 부분에 배터리 팩(그림 2)을 맞추십시오.
2. '찰칵'하고 잠기는 소리가 들릴 때까지 배터리 팩을 핸들로 완전히 밀어 넣습니다.

## 공구에서 배터리 팩을 분리하려면 다음과 같이 조치합니다.

1. 해제 버튼(1)을 누르고 배터리 팩을 공구 핸들에서 완전히 빼냅니다.
2. 본 사용 설명서의 충전기 단원에 설명된 대로 배터리 팩을 충전기에 끼웁니다.

## 배터리 잔량표시계(그림 1,2)

DEWALT 충전식 드라이버에는 배터리 팩의 남아 있는 충전 레벨을 표시하는 세 개의 녹색 LED 등으로 구성된 배터리 잔량표시계(e)가 있습니다.

배터리 잔량표시계를 작동시키려면, 동작 제어 작동 트리거 (a)를 누릅니다. 녹색 LED 표시등 3개가 조합되어 커짐으로써 충전 잔량 수준을 나타냅니다. 배터리 잔량이 사용 가능한 한계치 미만이면 배터리 잔량표시계가 켜지지 않으며 배터리를 재충전해야 합니다.

**참고:** 배터리 잔량표시계는 배터리 팩에 남아 있는 충전 레벨을 나타내는 것일 뿐입니다. 공구 기능성을 나타내는 것이 아니며 제품 구성품, 온도 및 최종 사용자의 용도에 따라 변경될 수 있습니다.

## 비트 장착 (그림 4)

비트를 장착하려면 클립이 제자리에 고정될 때까지 비트를 척에 삽입합니다.

비트를 분리하려면, 척 슬리브(h)를 앞으로 당기십시오. 비트를 제거하고 슬리브를 해제합니다.

## 2 포지션 드라이버(그림 3)

공구를 각도가 있는 드라이버로 전환하려면 해제 버튼 (d)를 누른 뒤 그림3에서와 같이 공구 맨 윗부분을 돌리십시오.



**참고:** 어떤 위치에서든 드라이버를 지렛대로 사용하지 마십시오.

**주의:** 실수로 드라이버가 켜지지 않도록 락오프 스위치(b)를 위쪽, 잠금 해제 위치에 두십시오.

## 토크 조절 칼라(그림 1)

토크 조절 칼라 (i)에는 숫자와 MAX 기호가 표시되어 있습니다. 토크를 설정하려면 원하는 설정을 공구 하우징의 화살표에 맞추십시오. 칼라의 숫자가 클 수록 토크 출력도 커집니다. 강하게 조이는 작업을 위해 클러치를 잠그려면 MAX 위치로 옮기십시오.

이렇게 하지 않으면 조이는 도중 클러치가 미끄러질 수 있습니다.

### 작동을 하기 전에

- 배터리 팩이 (완전히) 충전되었는지 확인하십시오.
- 적절한 비트를 삽입합니다.

## 작동

### 사용 지침



**경고:** 안전 지시 사항과 해당 규정을 항상 준수하십시오.



**경고:** 심각한 신체 부상의 위험을

줄이려면 공구를 조정하거나 부착물 또는 액세서리를 제거/설치하기 전에 공구를 끄고 배터리 팩을 분리하십시오.

### 올바른 손 위치(그림 5)



**경고:** 심각한 신체 부상의 위험을

줄이려면 항상 그림과 같이 올바르게 손을 위치하십시오.



**경고:** 심각한 부상의 위험을 줄이려면

항상 급작스러운 반응을 예상하고 확실하게 잡으십시오.

올바른 손의 위치가 되려면 그림에서와 같이 한 손을 주 핸들에 놓아야 합니다.



**경고:** 공구를 길게 뻗은 위치에서 가장 높은 MR로 사용할 경우 그림 5b에서와 같이 양손으로 공구를 쥐십시오.

### 나사 조이기(그림 1, 5a)

드라이버는 자이로스코프 기술을 사용해 손동작을 감지합니다. 조작을 하려면 동작 제어 작동 트리거를 누른 뒤 드라이버를 조작할 방향으로 손을 돌리십시오.

#### 최초 시작 지점 설정

1. 그림 5a와 같이 드라이버를 쥐십시오.
2. 동작 제어 작동 트리거를 누르십시오.
3. LED가 켜지면 공구를 사용할 준비가 된 것입니다.
4. 최초 시작 지점을 다시 설정하려면 먼저 동작 제어 작동 트리거를 해제하십시오. 공구를 새 위치로 옮긴 뒤 동작 제어 작동 트리거를 누릅니다.

#### 전진 방향으로 조작

1. 그림 5a와 같이 드라이버를 쥐십시오.
2. 작업물에서 드라이버 액세서리를 사용해 패스너 헤드를 체결하십시오. 최초 시작 지점을 설정하려면 지침을 준수하십시오.
3. 손을 시계 방향으로 돌리면 드라이버가 전진 방향으로 작동합니다.

#### 후진 방향으로 조작

1. 그림 5a와 같이 드라이버를 쥐십시오.
2. 작업물에서 드라이버 액세서리를 사용해 패스너 헤드를 체결하십시오. 최초 시작 지점을 설정하려면 지침을 준수하십시오.
3. 손을 시계 반대 방향으로 돌리면 드라이버가 후진 방향으로 작동합니다.

공구를 끄려면 동작 제어 작동 트리거를 해제합니다.

**참고:** 공구를 사용하고 있지 않거나 이동 중인 경우에는 반드시 공구에서 액세서리를 분리하고 트리거 락 (b)을 활성화하십시오.

#### 변속

- 스피들 속도는 손을 돌리는 속도에 따라 달라집니다.
- 손을 천천히 돌릴 수록 드라이버 회전 속도가 느려집니다.
- 손을 빨리 돌릴 수록 드라이버 회전 속도가 빨라집니다.
- 스피들 속도를 높이려면 같은 방향으로 손을 더 많이 돌리십시오.
- 스피들 속도를 낮추려면 처음 시작 지점으로 손을 뒤로 돌리십시오.

## 유지 보수

DEWALT 전동 공구는 최소한의 유지 보수로 장기간에 걸쳐 작업이 가능하도록 설계되어 있습니다. 만족스러운 동작을 계속 유지하려면 적절한 공구 관리와 정기적인 청소가 필요합니다.



**경고:** 심각한 신체 부상의 위험을

줄이려면 공구를 조정하거나 부착물 또는 액세서리를 제거/설치하기 전에 공구를 끄고 배터리 팩을 분리하십시오.

공구가 갑자기 작동하여 부상을 당할 수 있습니다.

충전기 및 배터리 팩은 수리할 수 없습니다. 내부에는 수리할 수 있는 부품이 없습니다.



### 윤활방법

전동 공구는 별도의 윤활 작업이 필요하지 않습니다.



### 청소



**경고:** 통풍구 속이나 주변에 먼지가 쌓여있는 것이 보이면 가능한 한 자주 건조한 공기를 이용하여 몸체에서 먼지를 풀어내십시오. 이 절차를 수행할 때에는 승인된 눈 보호 장구 및 승인된 방진 마스크를 착용하십시오.



**경고:** 공구의 금속 이외의 부품을 청소할 때는 용제 등의 강력한 화학약품을 절대 사용하지 마십시오. 그렇지 않으면 이러한 부분에 사용된 재료가 약해질 수 있습니다. 형겅에 물과 순한 비누를 적셔 닦아주십시오. 공구 내부에 액체를 넣거나 공구 부품을 액체에 담그는 행동은 절대 금물입니다.

### 충전기 청소 지시 사항



**경고:** 감전 위험. 청소하려면 먼저 충전기를 콘센트에서 분리하십시오. 형겅이나 부드러운 금속 이외의 브러시로 충전기 외관 부분에 묻은 먼지 및 기름을 제거할 수 있습니다. 물이나 세제를 사용하지 마십시오.

### 옵션 액세서리



**경고:** DEWALT에서 제공하지 않은 액세서리는 본 제품에서 테스트되지 않았으므로 본 제품에서 이러한 액세서리를 사용하면 위험할 수 있습니다. 신체 부상의 위험을 줄이려면 본 제품에 DEWALT 권장 액세서리만 사용해야 합니다.

해당 액세서리에 대한 자세한 정보는 판매 대리점으로 문의하십시오.

### 환경 보호



분리 수거하십시오. 본 제품을 일반 가정용 쓰레기로 처리하면 안됩니다.

DEWALT 제품을 교체해야 하거나 더 이상 쓸모가 없어졌다고 판단될 때는 본 제품을 가정용 쓰레기와 함께 처리하지 마십시오. 이 제품은 분리 수거하십시오.



사용하던 제품과 포장을 분리 수거하면 자원을 재활용 및 재사용할 수 있습니다. 재활용 자원을 이용하면 환경 오염이 방지되고 고철 자원에 대한 수요를 줄일 수 있습니다.

지역에 따라 가정용 가전제품을 분리 수거하는 규정이 마련되어 있거나 새로운 제품을 구입할 때 판매점에서 폐기 방법을 알려줄 수 있습니다.

DEWALT는 사용이 끝난 DEWALT 제품을 수집하여 재활용하기 위한 시설을 운영하고 있습니다. 이 서비스를 활용하려면 당사가 폐제품 수거를 위임한 공인 수리 대리점에 제품을 반환해 주십시오.

본 사용 설명서에 기재된 연락처로 가까운 DEWALT 센터에 연락하면 가까운 수리 지정점 위치를 찾을 수 있습니다. 또는 다음 웹 사이트를 방문하여 DEWALT 공인 수리 대리점 목록과 A/S 및 연락처 등 자세한 정보를 찾아볼 수 있습니다.

[www.dewalt.co.kr](http://www.dewalt.co.kr)



### 충전용 배터리 팩

이전에 쉽게 수행했던 작업에 대해 충분한 힘을 발휘하지 못하는 배터리 팩은 재충전해야 합니다. 배터리 수명이 다하면 환경 보호 차원에서 배터리 팩을 폐기하십시오.

- 배터리 팩을 완전히 사용하고 난 후 공구에서 분리하십시오.
- 리튬이온 셀은 재활용할 수 있습니다. 이 전지를 판매점이나 지역 재활용 센터로 가져가십시오. 수집된 배터리 팩은 재활용되거나 적절히 폐기됩니다.