

DEWALT®

www.DEWALT.eu

DW887



Figure 1

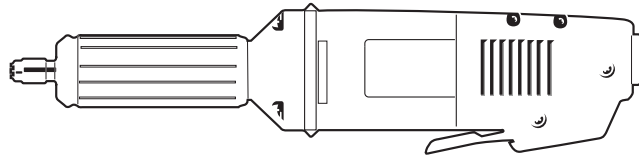


Figure 2

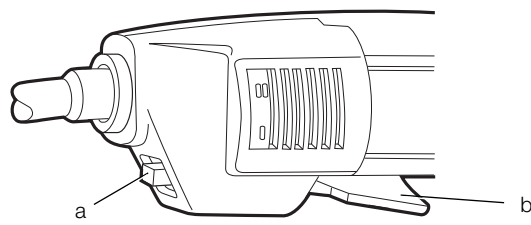
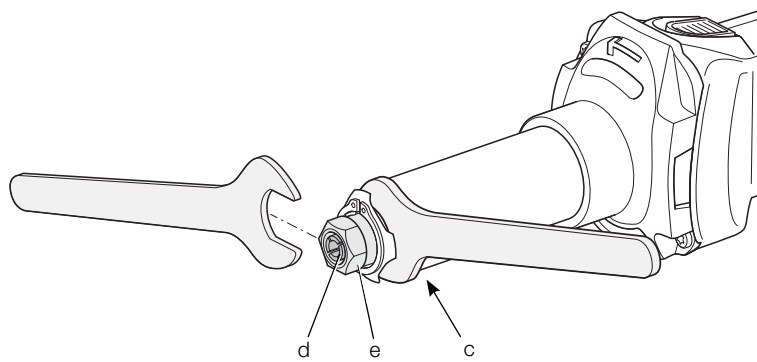


Figure 3



DIE GRINDER DW887

Congratulations!

You have chosen a DEWALT tool. Years of experience, thorough product development and innovation make DEWALT one of the most reliable partners for professional power tool users.

Technical Data

| DW887 | | | |
|---|-------------------|-----------|--------|
| Voltage | V _{AC} | 220/240 V | 120 V |
| Power output | W | 400 | 400 |
| No load speed | min ⁻¹ | 25,000 | 25,000 |
| Wheel diameter | mm | 38 | 38 |
| Spindle | | M14 | M14 |
| Collet size | | 1/4" | 1/4" |
| Weight | kg | 1.7 | 1.7 |
| <hr/> | | | |
| L _{pA} (sound pressure) | dB(A) | 81 | 81 |
| K _{pA} (sound pressure uncertainty) | dB(A) | 3 | 3 |
| L _{WA} (acoustic power) | dB(A) | 92 | 92 |
| K _{WA} (acoustic power uncertainty) | dB(A) | 3.2 | 3.2 |
| <hr/> | | | |
| Vibration total values (triax vector sum) determined according to EN 60745: | | | |
| Vibration emission value a _h | | | |
| a _h = | m/s ² | 2.5 | 2.5 |
| Uncertainty K = | m/s ² | 2.5 | 2.5 |

The vibration emission level given in this information sheet has been measured in accordance with a standardised test given in EN 60745 and may be used to compare one tool with another. It may be used for a preliminary assessment of exposure.



WARNING: The declared vibration emission level represents the main applications of the tool. However if the tool is used for different applications, with different accessories or poorly maintained, the vibration emission may differ. This may significantly increase the exposure level over the total working period.

An estimation of the level of exposure to vibration should also take into account the times when the tool is switched off

or when it is running but not actually doing the job. This may significantly reduce the exposure level over the total working period.

Identify additional safety measures to protect the operator from the effects of vibration such as: maintain the tool and the accessories, keep the hands warm, organisation of work patterns.

Definitions: Safety Guidelines

The definitions below describe the level of severity for each signal word. Please read the manual and pay attention to these symbols.



DANGER: Indicates an imminently hazardous situation which, if not avoided, **will** result in **death or serious injury**.



WARNING: Indicates a potentially hazardous situation which, if not avoided, **could** result in **death or serious injury**.



CAUTION: Indicates a potentially hazardous situation which, if not avoided, **may** result in **minor or moderate injury**.

CAUTION: Used without the safety alert symbol indicates a potentially hazardous situation which, if not avoided, **may** result in **property damage**.



Denotes risk of electric shock.



Denotes risk of fire.

EC-Declaration of Conformity



DW887

DEWALT declares that these products described under "technical data" have been designed in compliance with:

98/37/EEC (until Dec. 28, 2009), 2004/108/EC, 2006/42/EC (from Dec. 29, 2009), 2006/95/EC, EN 55014-1, EN 55014-2, EN 61000-3-2, EN 61000-3-3, EN 60745-1, EN 60745-2-3.

For more information, please contact DEWALT at the following address or refer to the back of the manual.

The undersigned is responsible for compilation of the technical file and makes this declaration on behalf of DEWALT.



Horst Grossmann
Vice President Engineering and Product
Development
DEWALT, Richard-Klinger-Straße 11,
D-65510, Idstein, Germany
01.07.2008



WARNING: To reduce the risk of injury, read the instruction manual.

General Power Tool Safety Warnings



WARNING! Read all safety warnings and instructions Failure to follow the warnings and instructions may result in electric shock, fire and/or serious injury.

SAVE ALL WARNINGS AND INSTRUCTIONS FOR FUTURE REFERENCE

The term "power tool" in the warnings refers to your mains-operated (corded) power tool or battery-operated (cordless) power tool.

1) WORK AREA SAFETY

- a) **Keep work area clean and well lit.** Cluttered or dark areas invite accidents.
- b) **Do not operate power tools in explosive atmospheres, such as in the presence of flammable liquids, gases or dust.** Power tools create sparks which may ignite the dust or fumes.
- c) **Keep children and bystanders away while operating a power tool.** Distractions can cause you to lose control.

2) ELECTRICAL SAFETY

- a) **Power tool plugs must match the outlet. Never modify the plug in any way. Do not use any adapter plugs with earthed (grounded) power tools.** Unmodified plugs and matching outlets will reduce risk of electric shock.
- b) **Avoid body contact with earthed or grounded surfaces such as pipes, radiators, ranges and refrigerators.** There

is an increased risk of electric shock if your body is earthed or grounded.

- c) **Do not expose power tools to rain or wet conditions.** Water entering a power tool will increase the risk of electric shock.
- d) **Do not abuse the cord. Never use the cord for carrying, pulling or unplugging the power tool. Keep cord away from heat, oil, sharp edges or moving parts.** Damaged or entangled cords increase the risk of electric shock.
- e) **When operating a power tool outdoors, use an extension cord suitable for outdoor use.** Use of a cord suitable for outdoor use reduces the risk of electric shock.
- f) **If operating a power tool in a damp location is unavoidable, use a residual current device (RCD) protected supply.** Use of an RCD reduces the risk of electric shock.

3) PERSONAL SAFETY

- a) **Stay alert, watch what you are doing and use common sense when operating a power tool. Do not use a power tool while you are tired or under the influence of drugs, alcohol or medication.** A moment of inattention while operating power tools may result in serious personal injury.
- b) **Use personal protective equipment. Always wear eye protection.** Protective equipment such as dust mask, non-skid safety shoes, hard hat, or hearing protection used for appropriate conditions will reduce personal injuries.
- c) **Prevent unintentional starting. Ensure the switch is in the off position before connecting to power source and/or battery pack, picking up or carrying the tool.** Carrying power tools with your finger on the switch or energising power tools that have the switch on invites accidents.
- d) **Remove any adjusting key or wrench before turning the power tool on.** A wrench or a key left attached to a rotating part of the power tool may result in personal injury.
- e) **Do not overreach. Keep proper footing and balance at all times.** This enables better control of the power tool in unexpected situations.
- f) **Dress properly. Do not wear loose clothing or jewellery. Keep your hair, clothing and gloves away from moving parts.** Loose clothes, jewellery or long hair can be caught in moving parts.

ENGLISH

- g) *If devices are provided for the connection of dust extraction and collection facilities, ensure these are connected and properly used. Use of dust collection can reduce dust-related hazards.*

4) POWER TOOL USE AND CARE

- a) **Do not force the power tool. Use the correct power tool for your application.** *The correct power tool will do the job better and safer at the rate for which it was designed.*
- b) **Do not use the power tool if the switch does not turn it on and off.** *Any power tool that cannot be controlled with the switch is dangerous and must be repaired.*
- c) **Disconnect the plug from the power source and/or the battery pack from the power tool before making any adjustments, changing accessories, or storing power tools.** *Such preventive safety measures reduce the risk of starting the power tool accidentally.*
- d) **Store idle power tools out of the reach of children and do not allow persons unfamiliar with the power tool or these instructions to operate the power tool.** *Power tools are dangerous in the hands of untrained users.*
- e) **Maintain power tools. Check for misalignment or binding of moving parts, breakage of parts and any other condition that may affect the power tool's operation. If damaged, have the power tool repaired before use.** *Many accidents are caused by poorly maintained power tools.*
- f) **Keep cutting tools sharp and clean.** *Properly maintained cutting tools with sharp cutting edges are less likely to bind and are easier to control.*
- g) **Use the power tool, accessories and tool bits etc., in accordance with these instructions taking into account the working conditions and the work to be performed.** *Use of the power tool for operations different from those intended could result in a hazardous situation.*

5) SERVICE

- a) **Have your power tool serviced by a qualified repair person using only identical replacement parts.** *This will ensure that the safety of the power tool is maintained.*

ADDITIONAL SPECIFIC SAFETY RULES

Safety instructions for all operations

- a) **This power tool is intended to function as a grinder. Read all safety warnings, instructions, illustrations and specifications provided with this power tool.** *Failure to follow all instructions listed below may result in electric shock, fire and/or serious injury.*
- b) **Operations such as sanding, polishing and wire brushing are not recommended to be performed with this power tool.** *Operations for which the power tool was not designed may create a hazard and cause personal injury.*
- c) **Do not use accessories which are not specifically designed and recommended by the tool manufacturer.** *Just because the accessory can be attached to your power tool, it does not assure safe operation. (Accessories for special cutting tools are not allowed!)*
- d) **The rated speed of the accessory must be at least equal to the maximum speed marked on the power tool.** *Accessories running faster than their rated speed can break and fly apart.*
- e) **The outside diameter and the thickness of your accessory must be within the capacity rating of your power tool.** *Incorrectly sized accessories cannot be adequately guarded or controlled.*
- f) **The arbour size of wheels, flanges, backing pads or any other accessory must properly fit the spindle of the power tool.** *Accessories with arbour holes that do not match the mounting hardware of the power tool will run out of balance, vibrate excessively and may cause loss of control.*
- g) **Do not use a damaged accessory. Before each use inspect the accessory such as abrasive wheel for chips and cracks. If power tool or accessory is dropped, inspect for damage or install an undamaged accessory. After inspecting and installing an accessory, position yourself and bystanders away from the plane of the rotating accessory and run the power tool at maximum no-load speed for one minute.** *Stop immediately if there is a considerable vibration or if other defects are detected. If this condition occurs, check the machine to determine the cause. Always store the abrasive wheel safely and on dry places outside of the reach of children. Damaged accessories will normally break apart during this test time.*

- h) **Wear personal protective equipment. Depending on application, use face shield, safety goggles or safety glasses. As appropriate, wear dust mask, hearing protectors, gloves and shop apron capable of stopping small abrasive or workpiece fragments.** The eye protection must be capable of stopping flying debris generated by various operations. The dust mask or respirator must be capable of filtering particles generated by your operation. Prolonged exposure to high intensity noise may cause hearing loss.
- i) **Keep bystanders a safe distance away from work area. Anyone entering the work area must wear personal protective equipment.** Fragments of workpiece or of a broken accessory may fly away and cause injury beyond immediate area of operation.
- j) **Hold power tool by insulated gripping surfaces only, when performing an operation where the grinding accessory may contact hidden wiring or its own cord.** Grinding accessory contacting a "live" wire may make exposed metal parts of the power tool "live" and shock the operator.
- k) **Position the cord clear of the spinning accessory.** If you lose control, the cord may be cut or snagged and your hand or arm may be pulled into the spinning accessory.
- l) **Never lay the power tool down until the accessory has come to a complete stop.** The spinning accessory may grab the surface and pull the power tool out of your control.
- m) **Do not run the power tool while carrying it at your side.** Accidental contact with the spinning accessory could snag your clothing, pulling the accessory into your body.
- n) **Regularly clean the power tool's air vents.** The motor's fan will draw the dust inside the housing and excessive accumulation of powdered metal may cause electrical hazards.
- o) **Do not operate the power tool near flammable materials.** Sparks could ignite these materials.
- p) **Do not use accessories that require liquid coolants.** Using water or other liquid coolants may result in electrocution or shock.

Causes and Operator Prevention of Kickback

- Kickback is a sudden reaction to a pinched or snagged rotating wheel or any other accessory. Pinching or snagging causes rapid stalling of

the rotating accessory which in turn causes the uncontrolled power tool to be forced in the direction opposite of the accessory's rotation at the point of the binding.

- For example, if an abrasive wheel is snagged or pinched by the workpiece, the edge of the wheel that is entering into the pinch point can dig into the surface of the material causing the wheel to climb out or kick out. The wheel may either jump toward or away from the operator, depending on direction of the wheel's movement at the point of pinching. Abrasive wheels may also break under these conditions.
- Kickback is the result of tool misuse and/or incorrect operating procedures or conditions and can be avoided by taking proper precautions as given below:
 - a) **Maintain a firm grip on the power tool and position your body and arm to allow you to resist kickback forces. Always use auxiliary handle, if provided, for maximum control over kickback or torque reaction during start up.** The operator can control torque reaction or kickback forces, if proper precautions are taken.
 - b) **Never place your hand near the rotating accessory.** Accessory may kickback over your hand.
 - c) **Do not position your body in the area where power tool will move if kickback occurs.** Kickback will propel the tool in direction opposite to the wheel's movement at the point of snagging.
 - d) **Use special care when working corners, sharp edges etc. Avoid bouncing and snagging the accessory.** Corners, sharp edges or bouncing have a tendency to snag the rotating accessory and cause loss of control or kickback.
 - e) **Do not attach a saw chain woodcarving blade or toothed saw blade.** Such blades create frequent kickback and loss of control.

Safety Warnings Specific for Grinding Operations

- a) **Use only wheel types that are recommended for your power tool and the specific guard designed for the selected wheel.** Wheels for which the power tool was not designed cannot be adequately guarded and are unsafe.

ENGLISH

- b) **Wheels must be used only for recommended applications. For example: do not grind with the side of cut-off wheel.** Abrasive cut-off wheels are intended for peripheral grinding, side forces applied to these wheels may cause them to shatter.
- c) **Always use undamaged wheel flanges that are of correct size and shape for your selected wheel.** Proper wheel flanges support the wheel thus reducing the possibility of wheel breakage. Flanges for cut-off wheels may be different from grinding wheel flanges.
- d) **Do not use worn down wheels from larger power tools.** Wheel intended for larger power tool is not suitable for the higher speed of a smaller tool and may burst.




Residual Risks

In spite of the application of the relevant safety regulations and the implementation of safety devices, certain residual risks cannot be avoided. These are:

- Impairment of hearing
- Risk of personal injury due flying particles.
- Risk of burns due to accessories becoming hot during operation.
- Risk of personal injury due to prolonged use.

Markings on Tool

The following pictograms are shown on the tool:

-  Read instruction manual before use.
-  Wear safety glasses.
-  Wear ear protection.

Package Contents

The package contains:

- 1 DW887 Die grinder
- 2 Spanners
- 1 Instruction manual
- 1 Exploded drawing
- Check for damage to the tool, parts or accessories which may have occurred during transport.
- Take the time to thoroughly read and understand this manual prior to operation.

Description (fig. 1–3)



WARNING: Never modify the power tool or any part of it. Damage or personal injury could result.

- a. Lock-on button
- b. Paddle switch
- c. Spindle
- d. Collet
- e. Collet nut

INTENDED USE

Your die grinder has been designed for professional grinding applications. The tool can be used with the complete range of commercial grinding tools with a maximum diameter of 38 mm and approved speed of 25000/min.

DO NOT use under wet conditions or in presence of flammable liquids or gases.

These die grinders are professional power tools.

DO NOT let children come into contact with the tool. Supervision is required when inexperienced operators use this tool.

Electrical Safety

The electric motor has been designed for one voltage only. Always check that the battery pack voltage corresponds to the voltage on the rating plate. Also make sure that the voltage of your charger corresponds to that of your mains.



Your DEWALT charger is double insulated in accordance with EN 60745; therefore no earth wire is required.



WARNING: 115 V units have to be operated via a fail-safe isolating transformer with an earth screen between the primary and secondary winding.

If the supply cord is damaged, it must be replaced by a specially prepared cord available through the DEWALT service organization.

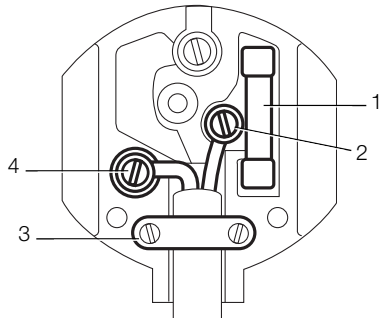
Mains Plug Replacement (U.K. & Ireland Only)



DANGER:

- Should your mains plug need replacing and you are competent to do this, proceed as instructed below. If you are in doubt, contact an authorized DEWALT repair agent or a qualified electrician.

- Disconnect the plug from the supply.
- Cut off the plug and dispose of it safely; a plug with bared copper conductors is dangerous if engaged in a live socket outlet.
- Only fit 13 Amperes BS1363A approved plugs fitted with the correctly rated fuse (1).
- The cable wire colours, or a letter, will be marked at the connection points of most good quality plugs. Attach the wires to their respective points in the plug (see below). Brown is for Live (L) (2) and Blue is for Neutral (N) (4).
- Before replacing the top cover of the mains plug ensure that the cable restraint (3) is holding the outer sheath of the cable firmly and that the two leads are correctly fixed at the terminals crews.



WARNING: NEVER use a light socket. **NEVER** connect the live (L) or neutral (N) wires to the earth pin marked E or \perp .

Using an Extension Cable

An extension cord should not be used unless absolutely necessary. Use an approved extension cable suitable for the power input of your charger (see technical data). The minimum conductor size is 1 mm²; the maximum length is 30 m.

Also refer to the table below.

| Conductor size (mm ²) | Cable rating (Amperes) |
|-----------------------------------|------------------------|
| 0.75 | 6 |
| 1.00 | 10 |
| 1.50 | 15 |
| 2.50 | 20 |
| 4.00 | 25 |

| Cable length (m) | | 7.5 | 15 | 25 | 30 | 45 | 60 |
|------------------|-------------|------------------------|----|----|----|----|----|
| Voltage | Amperes | Cable rating (Amperes) | | | | | |
| 115 | 0 – 2.0 | 6 | 6 | 6 | 6 | 6 | 10 |
| | 2.1 – 3.4 | 6 | 6 | 6 | 6 | 6 | 15 |
| | 3.5 – 5.0 | 6 | 6 | 10 | 15 | 20 | 20 |
| | 5.1 – 7.0 | 10 | 10 | 15 | 20 | 20 | 25 |
| | 7.1 – 12.0 | 15 | 15 | 20 | 25 | 25 | – |
| 230 | 12.1 – 20.0 | 20 | 20 | 25 | – | – | – |
| | 0 – 2.0 | 6 | 6 | 6 | 6 | 6 | 6 |
| | 2.1 – 3.4 | 6 | 6 | 6 | 6 | 6 | 6 |
| | 3.5 – 5.0 | 6 | 6 | 6 | 6 | 10 | 15 |
| | 5.1 – 7.0 | 10 | 10 | 10 | 10 | 15 | 15 |
| | 7.1 – 12.0 | 15 | 15 | 15 | 15 | 20 | 20 |
| 12.1 – 20.0 | 20 | 20 | 20 | 20 | 25 | – | |

When using a cable reel, always unwind the cable completely.

Voltage Drops

Inrush currents cause short-time voltage drops. Under unfavourable power supply conditions, other equipment may be affected.

If the system impedance of the power supply is lower than 0.25 Ω, disturbances are unlikely to occur.

ASSEMBLY AND ADJUSTMENTS

WARNING: To reduce the risk of injury, turn unit off and disconnect machine from power source before installing and removing accessories, before adjusting or changing set-ups or when making repairs. Be sure the trigger switch is in the OFF position. An accidental start-up can cause injury.

Trigger Switch (fig. 1, 2)

WARNING: Grasp tool firmly with both hands to maintain control of the tool at start up and during use and until the wheel or accessory stops rotating. Make sure the wheel has come to a complete stop before laying the tool down.

NOTE: To reduce unexpected tool movement, do not switch the tool on or off while under load conditions. Allow the grinder to run up to full speed before touching the work surface. Lift the tool from the surface before turning the tool off. Allow the tool to stop rotating before putting it down.

ENGLISH



WARNING: Before connecting the tool to a power source depress and release the trigger switch (C) once without depressing the lock-on button (A) to ensure that the switch is off. Depress and release the trigger switch as described above after any interruption in power supply to the tool, such as the activation of a ground fault interrupter, throwing of a circuit breaker, accidental unplugging, or power failure.

Depressing the trigger switch turns the tool on. Releasing it turns the tool off. To lock the switch on, depress the trigger fully, press and hold in the lock-on button, and release the trigger switch. Release the lock-on button and tool will stay on. To turn the tool off, depress and release the trigger switch.

OPERATION

Instructions for Use



WARNING: Always observe the safety instructions and applicable regulations.

Install Grinding Wheels (fig. 3)

1. Hold the spindle (c) using the spanner provided.
2. Loosen the collet nut (e) by turning it counterclockwise.
3. Insert the shank of the accessory into the collet (d).
4. Securely tighten the collet using the spanner provided.

To remove the accessory, proceed in reverse order.



WARNING: Grasp tool firmly with both hands to maintain control of the tool at start up and during use and until the wheel or accessory stops rotating. Make sure the wheel has come to a complete stop before laying the tool down.

Put the work in a vise or clamp it securely. Use a face mask over the nose and mouth if the operation raises dust. Treat the wheel with respect. Do not jam the wheel into the work or use unnecessary pressure. Grind only on the face of the wheel unless you have a special wheel specifically made to permit grinding on the side of the wheel.

MAINTENANCE

Your DEWALT power tool has been designed to operate over a long period of time with a minimum of maintenance. Continuous satisfactory operation depends upon proper tool care and regular cleaning.



WARNING: To reduce the risk of injury, turn unit off and disconnect machine from power source before installing and removing accessories, before adjusting or changing set-ups or when making repairs. Be sure the trigger switch is in the OFF position. An accidental start-up can cause injury.

Motor Brushes

Keep brushes clean and sliding freely in their guides. Carbon brushes have varying symbols stamped into them, and if the brush is worn down to the line closest to the spring, they must be replaced. New brush assemblies are available at your local service center.



Lubrication

Your power tool requires no additional lubrication.



Cleaning



WARNING: Blow dirt and dust out of the main housing with dry air as often as dirt is seen collecting in and around the air vents. Wear approved eye protection and approved dust mask when performing this procedure.



WARNING: It is recommended that a residual current device (RFD) is utilized to further protect the user from electric shock resulting from the accumulation of conductive particles. If the tool is deactivated by the RFD, unplug the tool and check and clean the tool before resetting the RFD.



WARNING: Never use solvents or other harsh chemicals for cleaning the non-metallic parts of the tool. These chemicals may weaken the materials used in these parts. Use a cloth dampened only with water and mild soap. Never let any liquid get inside the tool; never immerse any part of the tool into a liquid.

Optional Accessories



WARNING: Since accessories, other than those offered by DEWALT, have not been tested with this product, use of such accessories with this tool could be hazardous. To reduce the risk of injury, only DEWALT, recommended accessories should be used with this product.



WARNING: To reduce the risk of injury, **ALWAYS** use proper guards when grinding and wear eye protection.

ACCESSORY FOR DIE GRINDERS

Mounted Stones and Points

Consult your dealer for further information on the appropriate accessories.

Protecting the Environment



Separate collection. This product must not be disposed of with normal household waste.

Should you find one day that your DEWALT product needs replacement, or if it is of no further use to you, do not dispose of it with household waste. Make this product available for separate collection.



Separate collection of used products and packaging allows materials to be recycled and used again. Re-use of recycled materials helps prevent environmental pollution and reduces the demand for raw materials.

Local regulations may provide for separate collection of electrical products from the household, at municipal waste sites or by the retailer when you purchase a new product.

DEWALT provides a facility for the collection and recycling of DEWALT products once they have reached the end of their working life. To take advantage of this service please return your product to any authorised repair agent who will collect them on our behalf.

You can check the location of your nearest authorised repair agent by contacting your local DEWALT office at the address indicated in this manual. Alternatively, a list of authorised DEWALT repair agents and full details of our after-sales service and contacts are available on the Internet at: **www.2helpU.com**.

GUARANTEE

• 30 DAY NO RISK SATISFACTION GUARANTEE •

If you are not completely satisfied with the performance of your DEWALT tool, simply return it within 30 days, complete as purchased, to the point of purchase, for a full refund or exchange. Proof of purchase must be produced.

• ONE YEAR FREE SERVICE CONTRACT •

If you need maintenance or service for your DEWALT tool, in the 12 months following purchase, it will be undertaken free of charge at an authorized DEWALT repair agent. Proof of purchase must be produced. Includes labour and spare parts for Power Tools. Excludes accessories.

• ONE YEAR FULL WARRANTY •

If your DEWALT product becomes defective due to faulty materials or workmanship within 12 months from the date of purchase, we guarantee to replace all defective parts free of charge or, at our discretion, replace the unit free of charge provided that:

- The product has not been misused.
- Repairs have not been attempted by unauthorized persons.
- Proof of purchase date is produced. This guarantee is offered as an extra benefit and is additional to consumers statutory rights.

For the location of your nearest authorized DEWALT repair agent, please use the appropriate telephone number on the back of this manual. Alternatively, a list of authorized DEWALT repair agents and full details on our after-sales service are available on the Internet at **www.2helpU.com**.

| | | |
|---|--|---|
| Belgique et Luxembourg België en Luxemburg | Black & Decker - DEWALT Nieuwlandlaan 7, IZ Aarschot B156 B-3200 Aarschot | Tel: +32 (0)015 - 15 47 9211 Fax: +32 (0)015 - 15 47 9210 www.dewalt.be |
| Danmark | DEWALT Sluseholmen 2-4 2450 København SV | Tlf: 70201511 Fax: 70224910 www.dewalt.dk |
| Deutschland | DEWALT Richard-Klinger-Straße 65510 Idstein | Tel: 06126-21-1 Fax: 06126-21-2770 www.dewalt.de |
| Ελλάς | Black & Decker (Hellas) S.A. Στραβωνος 7 & Βουλιαγμένης 159 Γλυφάδα 16674, Αθήνα | Τηλ.: (01) 8981-616 Φαξ: (01) 8983-570 Service: (01) 8982-630 |
| España | DEWALT Parque de Negocios "Mas Blau" Edificio Muntadas, c/Bergadá, 1, Of. A6 08820 El Prat de Llobregat (Barcelona) | Tel: 934 797 400 Fax: 934 797 439 www.dewalt.es |
| France | DEWALT Le Paisy BP 21, 69571 Dardilly Cedex | Tel: 472 20 39 72 Fax: 472 20 39 02 www.dewalt.fr |
| Schweiz Suisse Svizzera | DEWALT In der Luberzen 40 8902 Urdorf | Tel: 01 - 730 67 47 Fax: 01 - 730 70 67 www.dewalt.ch |
| Ireland | DEWALT Calpe House Rock Hill Black Rock, Co. Dublin | Tel: 00353-2781800 Fax: 00353-2781811 www.dewalt.ie |
| Italia | DEWALT Viale Elvezia 2 20052 Monza (Mi) | Tel: 800-014353 Fax: 039-2387592 www.dewalt.it |
| Nederlands | Black & Decker - DEWALT Joulehof 12 4600 AB Bergen Op Zoom | Tel: 0164 283000 Fax: 0164 283100 www.dewalt.nl |
| Norge | DEWALT Postboks 4814, Nydalen 0422 Oslo | Tel: 22 90 99 00 Fax: 22 90 99 01 www.dewalt.no |
| Österreich | DEWALT Werkzeugevertriebs GmbH Erlaerstraße 165, Postfach 320,1231 Wien | Tel: 01 - 66116 - 0 Fax: 01 - 66116 - 14 www.dewalt.at |
| Portugal | DEWALT Rua Egas Moniz 173 João do Estoril, 2766-651 Estoril | Tel: 214 66 75 00 Fax: 214 66 75 75 www.dewalt.pt |
| Suomi | DEWALT Oy Tekniikantie 12 02150 Espoo, Finland | Puh: 010 400 430 Faksi: 0800 411 340 www.dewalt.fi |
| | DEWALT Oy Teknikvägen 12 02150 Esbo, Finland | Tel: 010 400 430 Fax: 0800 411 340 www.dewalt.fi |
| Sverige | DEWALT Box 94 431 22 Mölndal | Tel: 031 68 61 00 Fax: 031 68 60 08 www.dewalt.se |
| Türkiye | KALE Hırdavat ve Makina A.Ş. Defterdar Mah. Savaklar Cad. No:15 Edirnekapı / Eyüp / İSTANBUL 34050 TÜRKİYE | Tel: 0212 533 52 55 Faks: 0212 533 10 05 www.dewalt.com.tr |
| United Kingdom | DEWALT 210 Bath Road Slough, Berks SL1 3YD | Tel: 01753-56 70 55 Fax: 01753-57 21 12 www.dewalt.co.uk |