

**DEWALT®**

**[www.DEWALT.com](http://www.DEWALT.com)**

**DWE4010**  
**DWE4010T**  
**DWE4114**  
**DWE4115**

---

English (*original instructions*)

3

---

Français (*traduction de la notice d'instructions originale*)

9

---

العربية: لمترجم عن التعليمات الأصلية)

16

---

Figure A

شکل A

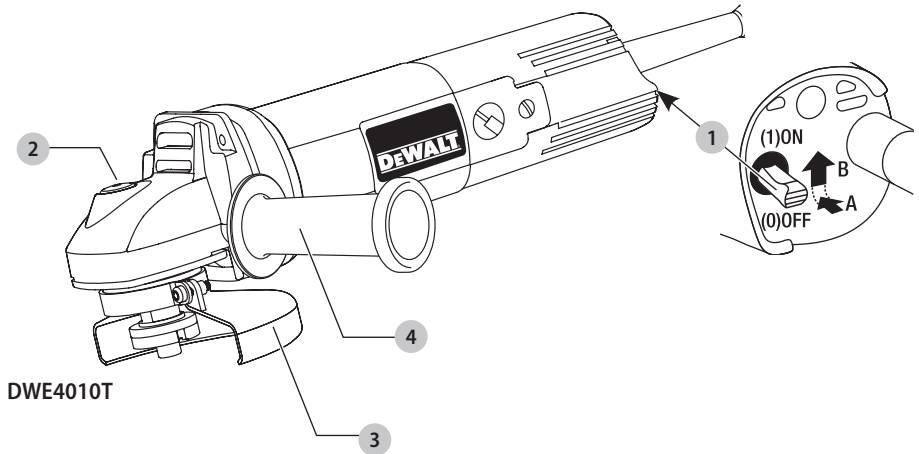
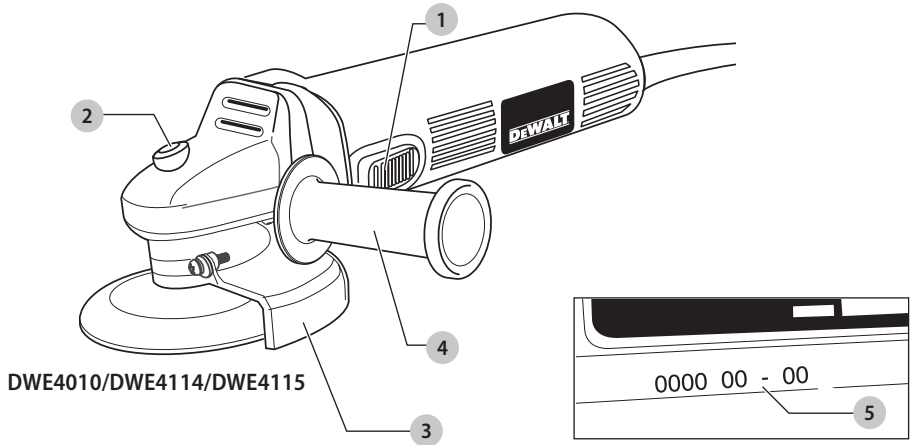


Figure B

شکل B

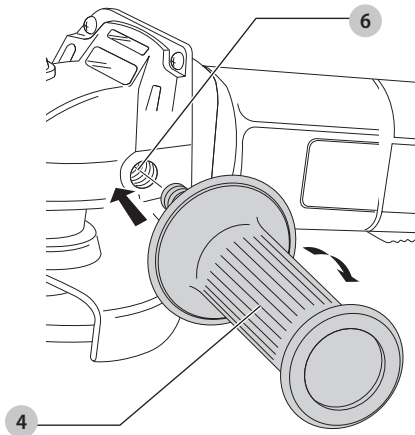


Figure C

شکل C

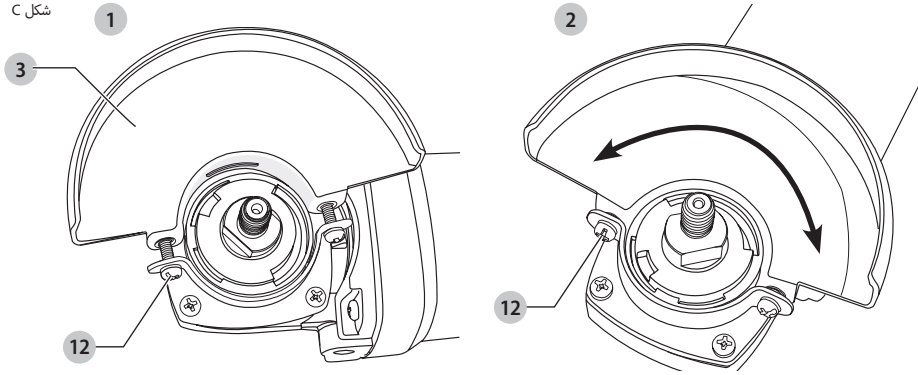


Figure D

شکل D

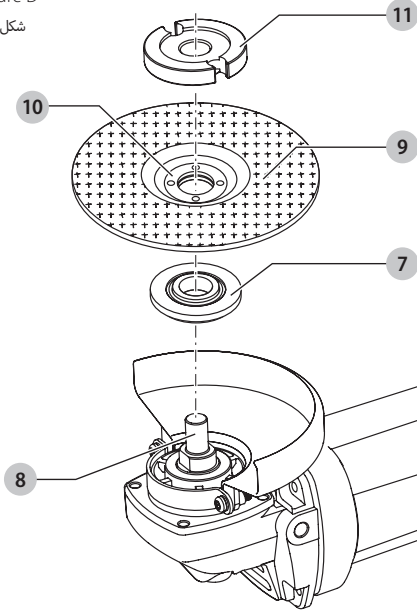


Figure E

شکل E

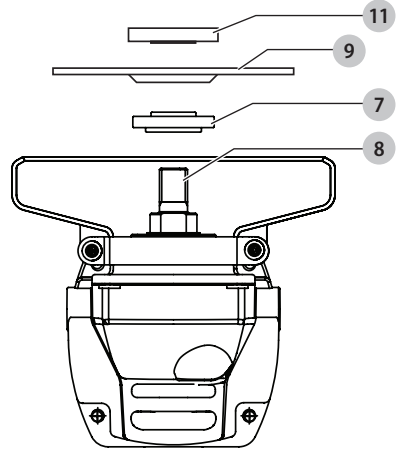
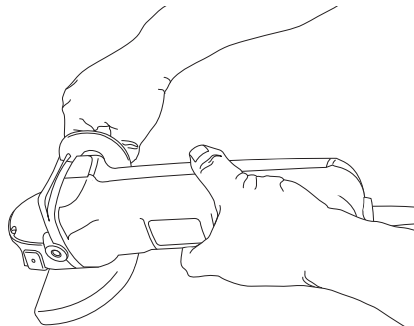


Figure F

شکل F



# ANGLE GRINDERS

## DWE4010, DWE4010T, DWE4114, DWE4115

### Congratulations!

You have chosen a DeWALT tool. Years of experience, thorough product development and innovation make DeWALT one of the most reliable partners for professional power tool users.

### Technical Data

		DWE4010	DWE4010T	DWE4114	DWE4115
Voltage	V <sub>AC</sub>	220/240 120	220/240 120	220/240 120	220/240 120
Type		20	20	1	1
Power input	W	730	730	950	950
No-load/rated speed	min <sup>-1</sup>	11000	11000	12000	12000
Wheel diameter	mm	115	115	115	125
Grinding Wheel thickness	mm	6	6	6	6
Wheel Type		27	27	27	27
Spindle diameter		M14	M14	M14	M14
Weight	kg	1.8	1.87	1.8	1.8

### Definitions: Safety Guidelines

The definitions below describe the level of severity for each signal word. Please read the manual and pay attention to these symbols.



**DANGER:** Indicates an imminently hazardous situation which, if not avoided, **will** result in **death or serious injury**.



**WARNING:** Indicates a potentially hazardous situation which, if not avoided, **could** result in **death or serious injury**.



**CAUTION:** Indicates a potentially hazardous situation which, if not avoided, **may** result in **minor or moderate injury**.

**NOTICE:** Indicates a practice **not related to personal injury** which, if not avoided, **may** result in **property damage**.



Denotes risk of electric shock.



Denotes risk of fire.



**WARNING:** To reduce the risk of injury, read the instruction manual.

### General Power Tool Safety Warnings



**WARNING: Read all safety warnings and all instructions.** Failure to follow the warnings and instructions may result in electric shock, fire and/or serious injury.

### SAVE ALL WARNINGS AND INSTRUCTIONS FOR FUTURE REFERENCE

The term "power tool" in the warnings refers to your mains-operated (corded) power tool or battery-operated (cordless) power tool.

#### 1) Work area safety

- Keep work area clean and well lit.** Cluttered or dark areas invite accidents.
- Do not operate power tools in explosive atmospheres, such as in the presence of flammable liquids, gases or dust.** Power tools create sparks which may ignite the dust or fumes.
- Keep children and bystanders away while operating a power tool.** Distractions can cause you to lose control.

#### 2) Electrical safety

- Power tool plugs must match the outlet. Never modify the plug in any way. Do not use any adapter plugs with earthed (grounded) power tools.** Unmodified plugs and matching outlets will reduce risk of electric shock.
- Avoid body contact with earthed or grounded surfaces such as pipes, radiators, ranges and refrigerators.** There is an increased risk of electric shock if your body is earthed or grounded.
- Do not expose power tools to rain or wet conditions.** Water entering a power tool will increase the risk of electric shock.
- Do not abuse the cord. Never use the cord for carrying, pulling or unplugging the power tool. Keep cord away from heat, oil, sharp edges or moving parts.** Damaged or entangled cords increase the risk of electric shock.
- When operating a power tool outdoors, use an extension cord suitable for outdoor use.** Use of a cord suitable for outdoor use reduces the risk of electric shock.
- If operating a power tool in a damp location is unavoidable, use a residual current device (RCD) protected supply.** Use of an RCD reduces the risk of electric shock.

#### 3) Personal safety

- Stay alert, watch what you are doing and use common sense when operating a power tool. Do not use a power tool while you are tired or under the influence of drugs, alcohol or medication.** A moment of inattention while operating power tools may result in serious personal injury.
- Use personal protective equipment. Always wear eye protection.** Protective equipment such as dust mask, non-skid safety shoes, hard hat, or hearing protection used for appropriate conditions will reduce personal injuries.

- c) **Prevent unintentional starting. Ensure the switch is in the off position before connecting to power source and/or battery pack, picking up or carrying the tool.** Carrying power tools with your finger on the switch or energising power tools that have the switch on invites accidents.
- d) **Remove any adjusting key or wrench before turning the power tool on.** A wrench or a key left attached to a rotating part of the power tool may result in personal injury.
- e) **Do not overreach. Keep proper footing and balance at all times.** This enables better control of the power tool in unexpected situations.
- f) **Dress properly. Do not wear loose clothing or jewellery. Keep your hair, clothing and gloves away from moving parts.** Loose clothes, jewellery or long hair can be caught in moving parts.
- g) **If devices are provided for the connection of dust extraction and collection facilities, ensure these are connected and properly used.** Use of dust collection can reduce dust-related hazards.

#### 4) Power tool use and care

- a) **Do not force the power tool. Use the correct power tool for your application.** The correct power tool will do the job better and safer at the rate for which it was designed.
- b) **Do not use the power tool if the switch does not turn it on and off.** Any power tool that cannot be controlled with the switch is dangerous and must be repaired.
- c) **Disconnect the plug from the power source and/or the battery pack from the power tool before making any adjustments, changing accessories, or storing power tools.** Such preventive safety measures reduce the risk of starting the power tool accidentally.
- d) **Store idle power tools out of the reach of children and do not allow persons unfamiliar with the power tool or these instructions to operate the power tool.** Power tools are dangerous in the hands of untrained users.
- e) **Maintain power tools. Check for misalignment or binding of moving parts, breakage of parts and any other condition that may affect the power tool's operation. If damaged, have the power tool repaired before use.** Many accidents are caused by poorly maintained power tools.
- f) **Keep cutting tools sharp and clean.** Properly maintained cutting tools with sharp cutting edges are less likely to bind and are easier to control.
- g) **Use the power tool, accessories and tool bits etc., in accordance with these instructions taking into account the working conditions and the work to be performed.** Use of the power tool for operations different from those intended could result in a hazardous situation.

#### 5) Service

- a) **Have your power tool serviced by a qualified repair person using only identical replacement parts.** This will ensure that the safety of the power tool is maintained.

### ADDITIONAL SPECIFIC SAFETY RULES

#### Safety Instructions for All Operations

- a) **This power tool is intended to function as a grinder. Read all safety warnings, instructions, illustrations and specifications provided with this power tool.** Failure to follow all instructions listed below may result in electric shock, fire and/or serious injury.
- b) **Operations such as sanding, wire brushing, polishing and cutting-off are not recommended to be performed with this power tool.** Operations for which the power tool was not designed may create a hazard and cause personal injury.
- c) **Do not use accessories which are not specifically designed and recommended by the tool manufacturer.** Just because the accessory can be attached to your power tool, it does not assure safe operation.
- d) **The rated speed of the accessory must be at least equal to the maximum speed marked on the power tool.** Accessories running faster than their rated speed can break and fly apart.
- e) **The outside diameter and the thickness of your accessory must be within the capacity rating of your power tool.** Incorrectly sized accessories can not be adequately guarded or controlled.
- f) **The arbour size of wheels, flanges, backing pads or any other accessory must properly fit the spindle of the power tool.** Accessories with arbour holes that do not match the mounting hardware of the power tool will run out of balance, vibrate excessively and may cause loss of control.
- g) **Do not use a damaged accessory. Before each use inspect the accessory such as abrasive wheel for chips and cracks, backing pad for cracks, tear or excess wear, wire brush for loose or cracked wires. If power tool or accessory is dropped, inspect for damage or install an undamaged accessory. After inspecting and installing an accessory, position yourself and bystanders away from the plane of the rotating accessory and run the power tool at maximum no-load speed for one minute.** Damaged accessories will normally break apart during this test time.
- h) **Wear personal protective equipment. Depending on application, use face shield, safety goggles or safety glasses. As appropriate, wear dust mask, hearing protectors, gloves and workshop apron capable of stopping small abrasive or workpiece fragments.** The eye protection must be capable of stopping flying debris generated by various operations. The dust mask or respirator must be capable of filtering particles generated

by your operation. Prolonged exposure to high intensity noise may cause hearing loss.

- i) **Keep bystanders a safe distance away from work area. Anyone entering the work area must wear personal protective equipment.** Fragments of workpiece or of a broken accessory may fly away and cause injury beyond immediate area of operation.
- j) **Hold power tool by insulated gripping surfaces only, when performing an operation where the cutting accessory may contact hidden wiring or its own cord.** Cutting accessory contacting a "live" wire may make exposed metal parts of the power tool "live" and could give the operator an electrical shock.
- k) **Position the cord clear of the spinning accessory.** If you lose control, the cord may be cut or snagged and your hand or arm may be pulled into the spinning accessory.
- l) **Never lay the power tool down until the accessory has come to a complete stop.** The spinning accessory may grab the surface and pull the power tool out of your control.
- m) **Do not run the power tool while carrying it at your side.** Accidental contact with the spinning accessory could snag your clothing, pulling the accessory into your body.
- n) **Regularly clean the power tool's air vents.** The motor's fan will draw the dust inside the housing and excessive accumulation of powdered metal may cause electrical hazards.
- o) **Do not operate the power tool near flammable materials.** Sparks could ignite these materials.
- p) **Do not use accessories that require liquid coolants.** Using water or other liquid coolants may result in electrocution or shock.

## FURTHER SAFETY INSTRUCTIONS FOR ALL OPERATIONS

### Causes and Operator Prevention of Kickback

Kickback is a sudden reaction to a pinched or snagged rotating wheel, backing pad, brush or any other accessory. Pinching or snagging causes rapid stalling of the rotating accessory which in turn causes the uncontrolled power tool to be forced in the direction opposite of the accessory's rotation at the point of the binding.

For example, if an abrasive wheel is snagged or pinched by the workpiece, the edge of the wheel that is entering into the pinch point can dig into the surface of the material causing the wheel to climb out or kick out. The wheel may either jump toward or away from the operator, depending on direction of the wheel's movement at the point of pinching. Abrasive wheels may also break under these conditions.

Kickback is the result of tool misuse and/or incorrect operating procedures or conditions and can be avoided by taking proper precautions as given below:

- a) **Maintain a firm grip on the power tool and position your body and arm to allow you to resist kickback forces. Always use auxiliary handle, if provided, for maximum control over kickback or torque reaction during start up.** The operator can control torque reaction or kickback forces, if proper precautions are taken.
- b) **Never place your hand near the rotating accessory.** Accessory may kickback over your hand.
- c) **Do not position your body in the area where power tool will move if kickback occurs.** Kickback will propel the tool in direction opposite to the wheel's movement at the point of snagging.
- d) **Use special care when working corners, sharp edges etc. Avoid bouncing and snagging the accessory.** Corners, sharp edges or bouncing have a tendency to snag the rotating accessory and cause loss of control or kickback.
- e) **Do not attach a saw chain woodcarving blade or toothed saw blade.** Such blades create frequent kickback and loss of control.

### Safety Warnings Specific for Grinding Operations

- a) **Use only wheel types that are recommended for your power tool and the specific guard designed for the selected wheel.** Wheels for which the power tool was not designed cannot be adequately guarded and are unsafe.
- b) **The guard must be securely attached to the power tool and positioned for maximum safety, so the least amount of wheel is exposed towards the operator.** The guard helps to protect the operator from broken wheel fragments, accidental contact with wheel and sparks that could ignite clothing.
- c) **Wheels must be used only for recommended applications. For example: do not grind with the side of cut-off wheel.** Abrasive cut-off wheels are intended for peripheral grinding, side forces applied to these wheels may cause them to shatter.
- d) **Always use undamaged wheel flanges that are of correct size and shape for your selected wheel. Proper wheel flanges support the wheel thus reducing the possibility of wheel breakage.** Flanges for cut-off wheels may be different from grinding wheel flanges.
- e) **Do not use worn down wheels from larger power tools.** Wheel intended for larger power tool is not suitable for the higher speed of a smaller tool and may burst.



**WARNING:** We recommend the use of a residual current device with a residual current rating of 30mA or less.

### Residual Risks

In spite of the application of the relevant safety regulations and the implementation of safety devices, certain residual risks cannot be avoided. These are:

- Impairment of hearing.
- Risk of personal injury due to flying particles.
- Risk of burns due to accessories becoming hot during operation.
- Risk of personal injury due to prolonged use.
- Risk of dust from hazardous substances.

## Electrical Safety

The electric motor has been designed for one voltage only. Always check that the power supply corresponds to the voltage on the rating plate.



Your DEWALT tool is double insulated in accordance with EN60745; therefore no earth wire is required.



**WARNING:** 120V units have to be operated via a fail-safe isolating transformer with an earth screen between the primary and secondary winding.

If the supply cord is damaged, it must be replaced by a specially prepared cord available through the DEWALT service organisation.

## Mains Plug Replacement (Middle East and Africa)

If a new mains plug needs to be fitted:

- Safely dispose of the old plug.
- Connect the brown lead to the live terminal in the plug.
- Connect the blue lead to the neutral terminal.



**WARNING:** No connection is to be made to the earth terminal.

Follow the fitting instructions supplied with good quality plugs. Recommended fuse: 13 A.

## Using an Extension Cable

If an extension cable is required, use an approved 3-core extension cable suitable for the power input of this tool (see technical data). The minimum conductor size is 1.5 mm<sup>2</sup>; the maximum length is 30 m.

When using a cable reel, always unwind the cable completely.

## Package Contents

The package contains:

- 1 Angle grinder
- 1 Guard
- 1 Side handle
- 1 Flange set
- 1 Hex key
- 1 Instruction manual
- Check for damage to the tool, parts or accessories which may have occurred during transport.
- Take the time to thoroughly read and understand this manual prior to operation.

## Markings on Tool

The following pictograms are shown on the tool:



Read instruction manual before use.



Wear ear protection.



Wear eye protection.

## Date Code Position (Fig. A)

The date code **5**, which also includes the year of manufacture, is printed into the housing.

Example:

2017 XX XX

Year of Manufacture

## Description (Fig. A)



**WARNING:** Never modify the power tool or any part of it. Damage or personal injury could result.

- 1 On/off switch
- 2 Spindle lock button
- 3 Guard
- 4 Side handle

## Intended Use

Your DWE4010/DWE4010T/DWE4114/DWE4115 straight grinder has been designed for professional grinding applications.

**DO NOT** use under wet conditions or in the presence of flammable liquids or gases.

These heavy-duty angle grinders are professional power tools.

**DO NOT** let children come into contact with the tool. Supervision is required when inexperienced operators use this tool.

- This product is not intended for use by persons (including children) suffering from diminished physical, sensory or mental abilities; lack of experience, knowledge or skills unless they are supervised by a person responsible for their safety. Children should never be left alone with this product.

## ASSEMBLY AND ADJUSTMENTS



**WARNING:** To reduce the risk of serious personal injury, turn tool off and disconnect tool from power source before making any adjustments or removing/installing attachments or accessories. Be sure the trigger switch is in the OFF position. An accidental start-up can cause injury.

## Attaching Side Handle (Fig. B)



**WARNING:** Before using the tool, check that the handle is tightened securely.



**WARNING:** The side handle should always be used to maintain control of the tool at all times.

Screw the side handle **4** tightly into one of the holes **6** on either side of the gear case.



## Mounting and Removing the Guard (Fig. C)

 **CAUTION:** Guards must be used with this grinder.

### To Mount the Guard

1. Place the angle grinder on a table, spindle up.
2. Press the guard **3** down (Fig. C1).
3. Position the guard between your body and work piece.
4. Tight the screw **12** holding the cinch collar firmly around the neck of spindle (Fig. C2)

### To Remove the Guard

1. Loosen the screw **12** holding the cinch collar around the neck of the spindle.
2. Lift up on the guard.

## Fitting and Removing a Grinding Disc (Fig. A, D, E)

 **WARNING:** Do not use a damaged disc.


1. Place the tool on a table, guard up.
2. Fit the backing flange **7** correctly onto the spindle **8** (Fig. D).
3. Place the disc **9** on the flange **7**. When fitting a disc with a raised centre, make sure that the raised centre **10** is facing the flange **7**.
4. Screw the outer flange **11** onto the spindle **8** (Fig. E). The ring on the flange **11** must face towards the disc when fitting a grinding disc.
5. Press the spindle lock button **2** and rotate the spindle **8** until it locks in position.
6. Tighten the flange **11** with the hex key provided or a two pin spanner.
7. Release the spindle lock.
8. To remove the disc, loosen the flange **11** with the hex key provided or a two pin spanner.


## Prior to Operation

- Install the guard and appropriate disc or wheel. Do not use excessively worn discs or wheels.
- Be sure the inner and outer flange are mounted correctly.
- Make sure the disc or wheel rotates in the direction of the arrows on the accessory and the tool.

## OPERATION

### Instructions for Use

 **WARNING:** Always observe the safety instructions and applicable regulations.


 **WARNING:** To reduce the risk of serious personal injury, turn tool off and disconnect tool from power source before making any adjustments or removing/installing attachments or accessories. Be sure the trigger switch is in the OFF position. An accidental start-up can cause injury.

 **WARNING:**

- Ensure all materials to be ground or cut are secured in place.
- Apply only a gentle pressure to the tool. Do not exert side pressure on the disc.
- Avoid overloading. Should the tool become hot, let it run a few minutes under no load condition.


## Proper Hand Position (Fig. A, F)

 **WARNING:** To reduce the risk of serious personal injury, ALWAYS use proper hand position as shown.

 **WARNING:** To reduce the risk of serious personal injury, ALWAYS hold securely in anticipation of a sudden reaction.

Proper hand position requires one hand on the side handle **4**, with the other hand on the body of the tool, as shown in Figure F.

## Switches

 **WARNING:** Do not switch the tool on or off when under load.

 **WARNING:** Before using the tool, check that the handle is tightened securely.

### Slider Switch (Fig. A)

#### DWE4010/DWE4114/DWE4115

To start the tool, slide the on/off slider switch **1** toward the front of the tool. To stop the tool, release the on/off slider switch.

For continuous operation, slide the switch toward the front of the tool and press the forward part of the switch inward.

To stop the tool while operating in continuous mode, press the rear part of the slider switch and release.

### Toggle Switch (Fig. A)

#### DWE4010T

To run the tool, press the switch **1** in before moving it completely forward.

To stop the tool, move the switch **1** back the opposite way.

To stop the tool in continuous operation, press on the back part of the switch.

## Spindle Lock (Fig. A)

The spindle lock **2** is provided to prevent the spindle from rotating when installing or removing wheels. Operate the spindle lock only when the tool is turned off, unplugged from the power supply, and has come to a complete stop.

**NOTICE:** To reduce the risk of damage to the tool, do not engage the spindle lock while the tool is operating. Damage to the tool will result and attached accessory may spin off possibly resulting in injury.

To engage the lock, depress the spindle lock button and rotate the spindle until you are unable to rotate the spindle further.

## Metal Applications

When using the tool in metal applications, make sure that a residual current device (RCD) has been inserted to avoid residual risks caused by metal swarf.

If the power supply is shut off by the RCD, take the tool to an authorised DeWALT repair agent.



**WARNING:** In extreme working conditions, conductive dust can accumulate inside the machine housing when working with metal. This can result in the protective insulation in the machine becoming degraded with a potential risk of an electrical shock.

To avoid build-up of metal swarf inside the machine, we recommend to clear the ventilation slots on a daily basis. Refer to **Maintenance**.

## Using Flap Discs



**WARNING: Metal dust build-up.** Extensive use of flap discs in metal applications can result in the increased potential for electric shock. To reduce this risk, insert an RCD before use and clean the ventilation slots daily by blowing dry compressed air into the ventilation slots in accordance with the below maintenance instructions.

## MAINTENANCE

Your DeWALT power tool has been designed to operate over a long period of time with a minimum of maintenance. Continuous satisfactory operation depends upon proper tool care and regular cleaning.



**WARNING: To reduce the risk of serious personal injury, turn tool off and disconnect tool from power source before making any adjustments or removing/ installing attachments or accessories.** Be sure the trigger switch is in the OFF position. An accidental start-up can cause injury.

## Pop-off Brushes

The motor will be automatically shut off indicating that the carbon brushes are nearly worn out and that the tool needs servicing. The carbon brushes are not user-serviceable. Take the tool to an authorised DeWALT repair agent.



## Lubrication

Your power tool requires no additional lubrication.



## Cleaning



**WARNING:** Blow dirt and dust out of the main housing with dry air as often as dirt is seen collecting in and around the air vents. Wear approved eye protection and approved dust mask when performing this procedure.



**WARNING:** Never use solvents or other harsh chemicals for cleaning the non-metallic parts of the tool. These chemicals may weaken the materials used in these parts. Use a cloth dampened only with water and mild soap.

*Never let any liquid get inside the tool; never immerse any part of the tool into a liquid.*

## Optional Accessories



**WARNING:** Since accessories, other than those offered by DeWALT, have not been tested with this product, use of such accessories with this tool could be hazardous. To reduce the risk of injury, only DeWALT recommended accessories should be used with this product.

Consult your dealer for further information on the appropriate accessories.

## Protecting the Environment



Separate collection. Products and batteries marked with this symbol must not be disposed of with normal household waste.



Products and batteries contain materials that can be recovered or recycled reducing the demand for raw materials. Please recycle electrical products and batteries according to local provisions. Further information is available at [www.2helpU.com](http://www.2helpU.com).

# MEULEUSES ANGULAIRES

## DWE4010, DWE4010T, DWE4114, DWE4115

### Félicitations !

Vous avez choisi un outil DEWALT. Des années d'expertise dans le développement et l'innovation de ses produits ont fait de DEWALT, le partenaire privilégié des utilisateurs professionnels d'outils électriques.

### Fiche technique

		DWE4010	DWE4010T	DWE4114	DWE4115
Tension	V <sub>AC</sub>	220/240 120	220/240 120	220/240 120	220/240 120
Type		20	20	1	1
Puissance absorbée	W	730	730	950	950
Vitesse à vide/nominale	min <sup>-1</sup>	11000	11000	12000	12000
Diamètre de meule	mm	115	115	115	125
Épaisseur de meule	mm	6	6	6	6
Type de meule		27	27	27	27
Diamètre de broche		M14	M14	M14	M14
Poids	kg	1,8	1,87	1,8	1,8

### Définitions : consignes de sécurité

Les définitions ci-dessous décrivent le niveau de gravité de chaque mot signalétique. Lisez le manuel de l'utilisateur et soyez attentif à ces symboles.



**DANGER** : indique une situation dangereuse imminente qui, si elle n'est pas évitée, entraînera des **blesures graves ou mortelles**.



**AVERTISSEMENT** : indique une situation dangereuse potentielle qui, si elle n'est pas évitée, pourrait entraîner des **blesures graves ou mortelles**.



**ATTENTION** : indique une situation dangereuse potentielle qui, si elle n'est pas évitée, pourrait entraîner des **blesures minimales** ou modérées.

**AVIS** : indique une pratique ne **posant aucun risque de dommages corporels**, mais qui par contre, si rien n'est fait pour l'éviter, pourrait poser des **risques de dommages matériels**.



Indique un risque d'électrocution.



Indique un risque d'incendie.



**AVERTISSEMENT** : afin de réduire le risque de blessure, lisez le manuel d'instruction.

### Consignes de sécurité générales propres aux outils électriques



**AVERTISSEMENT** : lire toutes les directives et consignes de sécurité. Tout manquement aux

directives et consignes ci-inclus comporte des risques de décharges électriques, d'incendie et/ou de dommages corporels graves.

### CONSERVER TOUTES CES DIRECTIVES ET CONSIGNES À TITRE DE RÉFÉRENCE

Le terme « outil électrique » mentionné dans les avertissements ci-après se rapporte aux outils alimentés sur secteur (avec fil) ou par piles (sans fil).

#### 1) Sécurité – Aire de Travail

- Maintenir l'aire de travail propre et bien éclairée.** Les lieux sombres ou encombrés sont propices aux accidents.
- Ne pas utiliser un outil électrique dans un milieu déflagrant, comme en présence de liquides, gaz ou poussières inflammables.** Les outils électriques peuvent produire des étincelles qui pourraient enflammer toute émanation ou poussière ambiante.
- Maintenir à l'écart les enfants, ou toute autre personne, lors de l'utilisation d'un outil électrique.** Toute distraction pourrait faire perdre la maîtrise de l'appareil.

#### 2) Sécurité – Électricité

- La fiche électrique de l'outil doit correspondre à la prise murale. Ne modifier la fiche en aucune façon. Ne pas utiliser de fiche d'adaptation avec un outil électrique mis à la terre (masse).** L'utilisation de fiches d'origine et de prises appropriées réduira tout risque de décharges électriques.
- Éviter tout contact corporel avec des éléments mis à la terre comme : tuyaux, radiateurs, cuisinières ou réfrigérateurs.** Les risques de décharges électriques augmentent lorsque le corps est mis à la terre.
- Ne pas exposer les outils électriques à la pluie ou à l'humidité.** Tout contact d'un outil électrique avec un liquide augmente les risques de décharges électriques.
- Ne pas utiliser le cordon de façon abusive. Ne jamais utiliser le cordon pour transporter, tirer ou débrancher un outil électrique. Protéger le cordon de toute source de chaleur, de l'huile, et de tout bord tranchant ou pièce mobile.** Les cordons endommagés ou emmêlés augmentent les risques de décharges électriques.
- En cas d'utilisation d'un outil électrique à l'extérieur, utiliser systématiquement une rallonge conçue à cet effet.** Cela diminuera tout risque de décharges électriques.
- Si on ne peut éviter d'utiliser un outil électrique en milieu humide, utiliser un circuit protégé par un dispositif de courant résiduel (RCD).** Cela réduira tout risque de décharges électriques.

### 3) Sécurité Individuelle

- a) **Rester systématiquement vigilant et faire preuve de jugement lorsqu'on utilise un outil électrique. Ne pas utiliser d'outil électrique en cas de fatigue ou sous l'influence de drogues, d'alcool ou de médicaments.** Tout moment d'inattention pendant l'utilisation d'un outil électrique comporte des risques de dommages corporels graves.
- b) **Porter un équipement de protection individuel. Porter systématiquement un dispositif de protection oculaire.** Le fait de porter un masque anti-poussières, des chaussures antidérapantes, un casque de sécurité ou un dispositif de protection auditive, lorsque la situation le requiert, réduira les risques de dommages corporels.
- c) **Prévenir tout démarrage accidentel. S'assurer que l'interrupteur est en position d'arrêt avant de brancher l'outil sur le secteur et/ou la batterie, ou de le ramasser ou le transporter.** Transporter un outil le doigt sur l'interrupteur ou brancher un outil électrique alors que l'interrupteur est en position de marche invite les accidents.
- d) **Retirer toute clé de réglage avant de démarrer l'outil.** Une clé laissée sur une pièce rotative d'un outil électrique comporte des risques de dommages corporels.
- e) **Adopter une position stable. Maintenir les pieds bien ancrés au sol et conserver son équilibre en permanence.** Cela permettra de mieux maîtriser l'outil électrique en cas de situations imprévues.
- f) **Porter des vêtements appropriés. Ne porter aucun vêtement ample ou bijoux. Maintenir cheveux, vêtements et gants à l'écart des pièces mobiles, car ils pourraient s'y faire prendre.**
- g) **Lorsqu'un dispositif de connexion à un système de dépoussiérage ou d'élimination est fourni, s'assurer qu'il est branché et utilisé correctement.** L'utilisation de ces dispositifs peut réduire les risques engendrés par les poussières.

### 4) Utilisation et Entretien des Outils Électriques

- a) **Ne pas forcer un outil électrique. Utiliser l'outil approprié au travail en cours.** L'outil approprié effectuera un meilleur travail, de façon plus sûre et à la vitesse pour laquelle il a été conçu.
- b) **Ne pas utiliser un outil électrique dont l'interrupteur est défectueux.** Tout appareil dont l'interrupteur est défectueux est dangereux et doit être réparé.
- c) **Débrancher la fiche du secteur et/ou la batterie de l'outil électrique avant d'effectuer tout réglage, de changer tout accessoire, ou avant de le ranger.** Ces mesures préventives réduiront tout risque de démarrage accidentel de l'appareil.
- d) **Après utilisation, ranger les outils électriques hors de portée des enfants et ne permettre à aucune personne non familière avec son fonctionnement (ou**

**sa notice d'instructions) de l'utiliser.** Les outils peuvent être dangereux entre des mains inexpérimentées.

- e) **Entretenir les outils électriques. Vérifier les pièces mobiles pour s'assurer qu'elles sont bien alignées et tournent librement, qu'elles sont en bon état et ne sont affectées d'aucune condition susceptible de nuire au bon fonctionnement de l'outil. En cas de dommage, faire réparer l'outil électrique avant toute nouvelle utilisation.** De nombreux accidents sont causés par des outils mal entretenus.
- f) **Maintenir tout organe de coupe propre et bien affûté.** Les outils de coupe bien entretenus et affûtés sont moins susceptibles de se coincer et sont plus faciles à contrôler.
- g) **Utiliser un outil électrique, ses accessoires, mèches, etc., conformément aux présentes directives et suivant la manière prévue pour ce type particulier d'outil électrique, en tenant compte des conditions de travail et de la tâche à effectuer.** L'utilisation d'un outil électrique à des fins autres que celles prévues est potentiellement dangereuse.

### 5) Réparation

- a) **Faire entretenir les outils électriques par un réparateur qualifié en n'utilisant que des pièces de rechange identiques.** Cela permettra de préserver l'intégrité de l'outil électrique et la sécurité de l'utilisateur.

## RÈGLES PARTICULIÈRES DE SÉCURITÉ ADDITIONNELLES

### Consignes générales de sécurité

- a) **Cet outil électrique est prévu pour être utilisé en tant que meuleuse. Lire toute directive de sécurité, consigne, illustration et spécification fournie avec l'outil électrique.** Tout manquement aux directives suivantes pose des risques de décharges électriques, d'incendie et/ou de blessures graves.
- b) **Les opérations telles que le ponçage, le brossage métallique, le polissage et la découpe ne sont pas recommandées avec cet outil électrique.** Toute opération pour laquelle l'outil n'a pas été conçu comporte des risques de dommages matériels et corporels.
- c) **Ne pas utiliser des accessoires qui n'ont pas été spécifiquement conçus et recommandés par le fabricant de l'outil.** Le fait que l'accessoire peut être rattaché à l'outil électrique ne veut pas automatiquement dire que son utilisation ne posera aucun risque.
- d) **La vitesse nominale des accessoires doit être équivalente ou supérieure à celle recommandée sur l'étiquette d'avertissement de l'outil.** Les accessoires utilisés à une vitesse plus rapide que leur vitesse nominale peuvent éclater ou se détacher de l'outil.
- e) **Le diamètre externe et l'épaisseur de l'accessoire utilisé doivent se conformer aux spécifications de la plaque signalétique de l'outil électrique.** Les

accessoires aux spécifications incorrectes ne peuvent être ni maintenus ni contrôlés de façon adéquate.

- f) **L'alésage des meules, brides, tampons de soutien, ou de tout autre accessoire, doit correspondre parfaitement à la taille de la broche de l'outil électrique.** Les accessoires dont l'alésage ne correspond pas au dispositif d'installation de l'outil électrique ne tourneront pas correctement, vibreront de façon excessive et pourront causer la perte de contrôle de l'outil.
- g) **Ne pas utiliser d'accessoires endommagés. Avant toute utilisation, vérifier tous les accessoires, par exemple que les meules abrasives ne sont ni ébréchées ni fendues, les tampons de soutien ne sont ni fendus ni usés excessivement, les brosses métalliques ne comportent aucun élément brisé ou lâche. En cas de chute, vérifier que l'outil n'a pas été endommagé et remplacer tout accessoire abîmé. Après avoir inspecté et installé un accessoire, se situer, soi-même et tout individu présent, hors du plan de rotation de l'accessoire et laisser tourner l'outil une minute à sa vitesse à vide maximale. En général, tout accessoire endommagé se brisera lors du temps d'essai.**
- h) **Porter un équipement de protection individuel. Selon l'application, utiliser une protection faciale et des lunettes ou un masque de protection. Si approprié, porter un masque anti-poussières, une protection auditive, des gants et un tablier d'atelier capables de vous protéger contre toute projection abrasive ou tout fragment.** La protection oculaire doit être capable d'arrêter toute projection de débris engendrés par des opérations diverses. Le masque anti-poussières doit être capable de filtrer les particules engendrées par l'opération en cours. Toute exposition prolongée à un haut niveau de décibels peut occasionner une perte de l'acuité auditive.
- i) **Maintenir à distance toute personne étrangère au travail en cours. Toute personne à l'intérieure de l'aire de travail doit porter un équipement de protection individuel.** Des débris provenant de la pièce à travailler ou d'un accessoire brisé pourraient être éjectés et causer des dommages corporels au-delà de l'aire de travail immédiate.
- j) **Tenir l'outil par les surfaces isolées prévues et cet effet pendant toute utilisation ou l'organe de coupe pourrait entrer en contact avec des fils électriques cachés ou son propre cordon.** Tout contact de l'organe de coupe avec un fil sous tension peut mettre les parties métalliques exposées de l'outil sous tension et électrocuter l'utilisateur.
- k) **Maintenir le cordon électrique éloigné de la partie rotative de l'outil.** En cas de perte de contrôle, le cordon pourrait être sectionné ou abîmé, et les bras ou mains pourraient entrer en contact avec l'organe rotatif.
- l) **Attendre systématiquement l'arrêt complet de l'outil avant de le déposer.** L'organe rotatif

pourrait s'accrocher à la surface utilisée et rendre l'outil dangereusement imprévisible.

- m) **Ne pas laisser l'outil électrique en marche alors qu'il est accroché à votre côté.** Tout contact accidentel de l'organe rotatif pourrait faire que ce dernier s'accroche aux vêtements et qu'un accessoire entre en contact avec le corps.
- n) **Nettoyer régulièrement les orifices d'aération de l'outil.** Le ventilateur du moteur attirera de la poussière à l'intérieur du boîtier et une accumulation excessive de poussières métalliques pourrait poser des risques d'électrocution/incendie.
- o) **Ne pas utiliser cet outil électrique à proximité de matériaux inflammables, car des étincelles pourraient les enflammer.**
- p) **Ne pas utiliser d'accessoires nécessitant l'utilisation d'un réfrigérant fluide.** L'utilisation d'eau ou de tout autre réfrigérant fluide pourrait poser des risques d'électrocution ou de décharges électriques.

## CONSIGNES GÉNÉRALES DE SÉCURITÉ COMPLÉMENTAIRES

### Causes et prévention anti-rebonds

Les rebonds sont la conséquence du grippage ou coinçage d'une meule, d'un tampon de soutien, d'une brosse en rotation ou de tout autre accessoire. Tout grippage ou coinçage causera rapidement le blocage de l'accessoire en rotation, ce qui lancera l'outil non contrôlé dans la direction opposée à l'accessoire en rotation au point du grippage.

Par exemple, si une meule abrasive reste accrochée ou pincée dans une pièce à travailler, le bord de la meule engagée au point de grippage peut s'enfoncer dans la surface du matériau et faire tressauter ou rebondir la meule. La meule peut alors rebondir vers ou à l'opposé de l'utilisateur, selon la direction du mouvement de la meule au point de grippage. Dans ces conditions, il peut aussi arriver que les meules abrasives se brisent.

Les rebonds proviennent d'une utilisation impropre de l'outil ou de conditions ou procédures d'exécution incorrectes, et peuvent être évités en prenant les précautions adéquates énoncées ci-dessous :

- a) **Maintenir la scie fermement en positionnant le corps et les bras de façon à pouvoir résister à toute force de rebonds. Utiliser systématiquement la poignée latérale, si fournie avec l'outil, pour un contrôle maximal de l'outil en cas de rebonds ou retour de couple au démarrage.** L'utilisateur peut contrôler le retour de couple ou les forces de rebonds si des précautions adéquates sont prises.
- b) **Ne jamais approcher les mains de l'organe rotatif.** L'accessoire pourrait rebondir sur les mains.
- c) **Ne pas positionner le corps dans l'espace que pourrait occuper l'outil en cas de rebonds.** Les rebonds projettent l'outil dans la direction opposée au mouvement de la meule au point de grippage.
- d) **Prendre des précautions supplémentaires pour travailler des coins, des bords acérés, etc. Éviter**

que l'accessoire sursaute ou reste accroché. Les coins, bords acérés ou les sursauts ont tendance à retenir l'accessoire en rotation et causer la perte de contrôle de l'outil, ou des rebonds.

- e) **Ne pas rattacher une lame à chaîne coupante, à sculpter ou une lame dentée.** Ces lames posent des risques de rebonds fréquents et de perte de contrôle de l'outil.

## Consignes spécifiques de sécurité propres au meulage

- a) **Utiliser uniquement des types de meules recommandés pour votre outil électrique ainsi que le carter spécifiquement conçu pour la meule choisie.** Les meules non conçues pour un outil électrique ne peuvent être adéquatement protégées et sont dangereuses.
- b) **Le carter doit être soigneusement arrimé à l'outil électrique et installé pour optimiser la sécurité, de façon à ce que l'utilisateur soit le moins possible exposé à la meule.** Le carter doit protéger l'utilisateur contre des fragments de roue cassés, le contact accidentel et des étincelles qui pourraient enflammer les vêtements.
- c) **Les meules ne doivent être utilisées que pour les applications recommandées. Par exemple : ne pas meuler avec la partie latérale d'une meule à tronçonner.** Les meules à tronçonner ont été conçues pour le meulage périphérique, toute force latérale appliquée sur ces meules pourrait faire éclater.
- d) **Utiliser systématiquement des brides de meules en parfait état, de taille et forme adaptées à la meule choisie. Les brides de meules servent de support aux meules, réduisant ainsi les possibilités que la meule se brise.** Les brides de meules à tronçonner peuvent différer des brides de disques à meuler.
- e) **Ne pas utiliser de meules émoussées lors de leur utilisation sur des outils électriques plus gros.** Les meules conçues pour des outils électriques plus gros ne sont pas adéquates pour les vitesses plus rapides des outils plus petits, et risqueraient d'éclater.



**AVERTISSEMENT :** nous recommandons l'utilisation d'un disjoncteur différentiel avec un seuil de déclenchement de 30mA ou moins.

## Risques résiduels

Malgré l'application de la réglementation de sécurité applicable et la mise en œuvre des dispositifs de sécurité, certains risques résiduels ne peuvent pas être évités. À savoir :

- Diminution de l'acuité auditive.
- Risques de dommages corporels dus à la projection de particules.
- Risques de brûlures provoquées par des accessoires chauffant pendant leur utilisation.
- Risques de dommages corporels dus à un usage prolongé.
- Risques posés par les poussières de substances dangereuses.

## Sécurité électrique

Le moteur électrique a été conçu pour fonctionner sur une tension unique. Vérifier systématiquement que la tension du secteur correspond bien à la tension indiquée sur la plaque signalétique.



Votre outil DEWALT à double isolation est conforme à la norme EN60745 ; un branchement à la terre n'est donc pas nécessaire.



**AVERTISSEMENT :** les appareils à 120 V doivent être utilisés avec des transformateurs d'isolation à l'épreuve des pannes doté d'un écran de terre entre l'enroulement primaire et secondaire.

Si le cordon fourni est endommagé, le remplacer par un cordon spécialement conçu à cet effet, et disponible auprès du service après-vente DEWALT.



Toujours utiliser la fiche prescrite lors du remplacement du câble d'alimentation.

Type 11 pour la classe II (Isolation double) – outils

Type 12 pour la classe I (Conducteur de terre) – outils



En cas d'utilisation à l'extérieur, connecter les outils portatifs à un disjoncteur FI.

## Remplacement de la fiche d'alimentation (Moyen-Orient et Afrique)

Si une nouvelle fiche d'alimentation doit être montée :

- Mettre soigneusement au rebut l'ancienne fiche.
- Raccorder le fil marron à la borne de phase dans la fiche.
- Raccorder le fil bleu à la borne de neutre.



**AVERTISSEMENT :** aucun branchement ne doit être fait à la borne de terre.

Suivez les instructions de montage fournies avec des fiches de bonne qualité. Fusible recommandé : 13 A.

## Utilisation d'une rallonge

Si une rallonge s'avère nécessaire, utiliser une rallonge à trois fils homologuée et compatible avec la tension nominale de cet outil (se reporter à la section Fiche technique). La section minimale du conducteur est de 1,5 mm<sup>2</sup> pour une longueur maximale de 30 m.

En cas d'utilisation d'un dévidoir, dérouler systématiquement le câble sur toute sa longueur.

## Contenu de l'emballage

Ce carton comprend :

- 1 Meuleuse angulaire
  - 1 Carter
  - 1 Poignée latérale
  - 1 Dispositif de bride
  - 1 Clé hexagonale
  - 1 Notice d'instructions
- Vérifier que l'appareil et ses pièces ou accessoires n'ont pas été endommagés lors du transport.



- Prendre le temps de lire attentivement et comprendre cette notice d'instructions avant toute utilisation de l'appareil.

## Étiquettes sur l'appareil

On trouve les diagrammes suivants sur l'outil :



Lire la notice d'instructions avant toute utilisation.



Porter un dispositif de protection auditive.



Porter un dispositif de protection oculaire.

## Emplacement de la Date Codée de Fabrication (Fig. A)

La date codée de fabrication **5**, qui comprend aussi l'année de fabrication, est imprimée sur le boîtier.

Exemple :

2017 XX XX  
Année de fabrication

## Description (Fig. A)



**AVERTISSEMENT** : ne jamais modifier l'outil électrique ni aucun de ses composants. Il y a risques de dommages corporels ou matériels.

- Interrupteur marche/arrêt
- Bouton de blocage de l'arbre
- Carter de protection
- Poignée latérale

## Utilisation Prévue

Votre meuleuse droite DWE4010/DWE4010T/DWE4114/DWE4115 a été conçue pour les applications de meulage professionnelles.

**NE PAS** les utiliser en milieu humide ou en présence de gaz ou de liquides inflammables.

Ces meuleuses angulaires industrielles sont des outils électriques de professionnels.

**NE PAS** les laisser à la portée des enfants. Une supervision est nécessaire auprès de tout utilisateur non expérimenté.

- Ce produit n'est pas prévu pour être utilisé par des personnes (y compris les enfants) dont les capacités physiques, sensorielles ou mentales sont réduites ou qui manquent d'expérience ou d'aptitudes, sauf si ces personnes sont surveillées par une autre personne responsable de leur sécurité. Ne jamais laisser les enfants seuls avec ce produit.

## MONTAGE ET RÉGLAGES



**AVERTISSEMENT** : pour réduire tout risque de dommages corporels graves, arrêter et débrancher l'outil avant tout réglage ou avant de retirer ou installer toute pièce ou tout accessoire. S'assurer que la gâchette est bien en position d'ARRÊT. Tout démarrage accidentel pourrait causer des dommages corporels.

## Installation de la poignée latérale (Fig. B)



**AVERTISSEMENT** : avant toute utilisation, vérifier que la poignée est solidement arrimée.



**AVERTISSEMENT** : la poignée latérale doit toujours être utilisée pour conserver le contrôle de l'outil en permanence.

Vissez fermement la poignée latérale **4** dans l'un des trous **6** situés de chaque côté du carter d'engrenage.

## Mounting and Removing the Guard (Fig. C)



**ATTENTION** : cette meuleuse à disque doit être utilisée avec un carter.

## Montage du carter de protection

- Disposez la meuleuse angulaire sur une table, avec la broche sur le dessus.
- Enfoncez le carter de protection **3** vers le bas (Fig. C1).
- Placez le carter de protection entre votre corps et l'ouvrage.
- Serrez la vis **12** en tenant le collier fermement autour du col de la broche (Fig. C2)

## Retrait du carter de protection

- Desserrez la vis **12** en tenant le collier autour du col de la broche.
- Relevez le carter de protection.

## Montage et démontage d'un disque de meulage (Fig. A, D, E)



**AVERTISSEMENT** : ne pas utiliser de disque endommagé.

- Disposez l'outil sur une table, avec le carter sur le dessus.
- Installez correctement la bride de soutien **7** sur la broche **8**, (Fig. D).
- Placez le disque **9** sur la bride **7**. Lors de l'installation d'un disque avec un centre en relief, assurez-vous que ce centre en relief **10** soit positionné contre la bride **7**.
- Vissez la bride externe **11** sur la broche **8** (Fig. E). L'anneau sur la bride **11** doit se trouver positionné contre le disque lorsqu'on utilise un disque de meulage.
- Appuyez sur le bouton de blocage de l'arbre **2** puis faites pivoter la broche **8** jusqu'à ce qu'elle se verrouille en place.
- Vissez la bride **11** à l'aide la clé hexagonale fournie ou de deux clés à ergot.
- Libérez le verrouillage de l'arbre.
- Pour retirer le disque, dévissez la bride **11** à l'aide de la clé hexagonale fournie ou de deux clés à ergot.

## Avant tout utilisation

- Installez le carter et le disque ou la meule appropriés. N'utilisez aucun disque ou meule excessivement émoussé.
- Assurez-vous que les brides, externe et interne, sont correctement installées.
- Assurez-vous que le disque ou la meule tourne dans le sens des flèches marquées sur l'accessoire et l'outil.

## FONCTIONNEMENT

### Consignes d'utilisation



**AVERTISSEMENT :** respecter systématiquement les consignes de sécurité et les normes en vigueur.



**AVERTISSEMENT :** pour réduire tout risque de dommages corporels graves, arrêter et débrancher l'outil avant tout réglage ou avant de retirer ou installer toute pièce ou tout accessoire. S'assurer que la gâchette est bien en position d'ARRÊT. Tout démarrage accidentel pourrait causer des dommages corporels.



**AVERTISSEMENT :**

- S'assurer que le matériau à meuler ou à tronçonner est fermement arrimé.
- Appliquer seulement une pression légère sur l'outil. Ne pas exercer de pression latérale sur le disque.
- Éviter toute surcharge. Si l'outil venait à surchauffer, le laisser fonctionner à vide quelques minutes.

### Position correcte des mains (Fig. A, F)



**AVERTISSEMENT :** pour réduire tout risque de dommages corporels graves, adopter **SYSTÉMATIQUEMENT** la position des mains illustrée.



**AVERTISSEMENT :** pour réduire tout risque de dommages corporels graves, maintenir fermement et **SYSTÉMATIQUEMENT** l'outil pour anticiper toute réaction soudaine de sa part.

La position correcte des mains requiert une main sur la poignée latérale 4, et l'autre sur le boîtier de l'outil, comme illustré en Figure F.

### Interrupteurs



**AVERTISSEMENT :** ne pas arrêter ou démarrer l'outil lorsqu'il est en contact avec une surface quelconque.



**AVERTISSEMENT :** avant toute utilisation, vérifier que la poignée est solidement arrimée.

### Commutateur du jeu de coulisse (Fig. A)

DWE4010/DWE4114/DWE4115

Pour démarrer l'outil, faites glisser le commutateur Marche/Arrêt curseur 1 vers l'avant de l'outil. Pour arrêter l'outil, relâcher l'interrupteur à glissière Marche/Arrêt.

Pour un fonctionnement continu, faites glisser le commutateur vers l'avant de l'outil et appuyez sur la partie avant de l'interrupteur vers l'intérieur.

Pour arrêter l'outil tout en fonctionnant en mode continu, appuyez sur la partie arrière de l'interrupteur à glissière et relâchez.

### Interrupteur à bascule (Fig. A)

DWE4010T

Pour mettre l'outil en marche, appuyez sur l'interrupteur 1 avant de le déplacer complètement vers l'avant.

Pour arrêter l'outil, déplacez l'interrupteur 1 dans le sens opposé.

Pour arrêter l'outil en mode continu, appuyez sur la partie arrière de l'interrupteur.

### Bouton de blocage de l'arbre (Fig. A)

Le bouton de blocage de l'arbre 2 est destiné à empêcher la broche de tourner lors de l'installation ou du retrait de la meule. N'utilisez le bouton de blocage de l'arbre que lorsque l'outil est à l'arrêt, débranché du secteur, et après arrêt complet du moteur.

**AVIS :** pour réduire tout risque de dommages matériels, ne pas actionner le bouton de blocage de l'arbre alors que l'outil est en marche. L'outil pourrait non seulement être endommagé mais tout accessoire installé pourrait se détacher et poser des risques de dommages corporels.

Pour actionner le verrouillage, appuyez sur le bouton de blocage de l'arbre puis faites tourner la broche jusqu'à la bloquer complètement.

### Applications métal

Avant d'utiliser l'outil pour des applications métal, assurez-vous que le dispositif à courant résiduel (DCR) a été inséré pour prévenir tout risque résiduel inhérent aux limailles.

Si le courant venait à être coupé par le DCR, rappelez l'outil chez un réparateur agréé DeWALT.



**AVERTISSEMENT :** dans des conditions de travail extrêmes, des poussières conductrices peuvent s'accumuler à l'intérieur du boîtier de l'appareil lors du travail du métal. Cela pourra provoquer la dégradation de l'isolation protectrice de l'appareil et poser des risques de décharges électriques.

Pour éviter toute accumulation de limailles à l'intérieur de l'appareil, il est recommandé de nettoyer quotidiennement les fentes d'aération. Se reporter à la section **Maintenance**.

### Utilisation de disques à lamelles



**AVERTISSEMENT :** accumulation de poussières métalliques. L'utilisation intensive de disques à lamelles pour des applications métal pose des risques accrus de décharges électriques. Pour réduire ces risques, insérer un DCR avant utilisation et nettoyer les fentes d'aération quotidiennement en y soufflant de l'air comprimé conformément aux instructions de maintenance ci-dessous.

### MAINTENANCE

Votre outil électrique DeWALT a été conçu pour fonctionner longtemps avec un minimum de maintenance. Le fonctionnement continu et satisfaisant de l'outil dépendra d'une maintenance adéquate et d'un nettoyage régulier.



**AVERTISSEMENT :** pour réduire tout risque de dommages corporels graves, arrêter et débrancher l'outil avant tout réglage ou avant de retirer ou installer toute pièce ou tout accessoire. S'assurer que la gâchette est bien en position d'ARRÊT. Tout démarrage accidentel pourrait causer des dommages corporels.



## Balais autorupteurs

Le moteur sera coupé automatiquement pour indiquer que les balais de charbon sont presque usés et qu'il faut effectuer la maintenance de l'outil. Les balais de charbon ne peuvent être remplacés par l'utilisateur. Rapportez l'outil chez un réparateur agréé DeWALT.



## Lubrification

Votre outil électrique ne requiert aucune lubrification additionnelle.



## Entretien

**AVERTISSEMENT :** éliminer poussière et saleté du boîtier principal à l'aide d'air comprimé chaque fois que les orifices d'aération semblent s'encrasser. Porter systématiquement des lunettes de protection et un masque anti-poussières homologués au cours de cette procédure.

**AVERTISSEMENT :** ne jamais utiliser de solvants ou tout autre produit chimique décapant pour nettoyer les parties non métalliques de l'outil. Ces produits chimiques pourraient en attaquer les matériaux utilisés. Utiliser un chiffon humidifié avec de l'eau et un savon doux. Protéger l'outil de tout liquide et n'immerger aucune de ses pièces dans aucun liquide.

## Accessoires en option

**AVERTISSEMENT :** comme les accessoires autres que ceux offerts par DeWALT n'ont pas été testés avec ce produit, leur utilisation avec cet appareil pourrait être dangereuse. Pour réduire tout risque de dommages corporels, seuls des accessoires DeWALT recommandés doivent être utilisés avec cet appareil.

Veuillez consulter votre revendeur pour plus d'informations sur les accessoires appropriés.

## Protection de l'environnement



Tri sélectif. Les produits et batteries marqués de ce symbole ne doivent pas être jetés avec les déchets ménagers.

Les produits et batteries contiennent des matières qui peuvent être récupérées et recyclées afin de réduire la demande en matières premières. Veuillez recycler les produits électriques et les batteries conformément aux dispositions locales en vigueur. Pour plus d'informations, consultez le site [www.2helpU.com](http://www.2helpU.com).

## DWE4010 و DWE4010T و DWE4114 و DWE4115

## تهانينا!

لقد اخترت أداة DeWALT. سنوات الخبرة التي تمتد خلالها عمليات تطوير المنتجات وابتكارها تجعل DeWALT من أكثر الشركاء الذين يمكن الاعتماد عليهم بالنسبة لمستخدمي الأدوات الآلية المحترفين.

## البيانات الفنية

DWE4010	DWE4010T	DWE4114	DWE4115	فولت يار عرید	القولنية
220/240	220/240	220/240	220/240		
120	120	120	120		
20	20	1	1		النوع
730	730	950	950		إدخال الطاقة
11000	11000	12000	12000		سرعة اللاحمل المقدره
115	115	115	125		قطر الأسطوانة
6	6	6	6		سمك أسطوانة الجليخ
27	27	27	27		نوع الأسطوانة
M14	M14	M14	M14		قطر العمود
1,8	1,87	1,8	1,8		الوزن

## التعريفات: تعليمات الأمان

تصف التعريفات التالية مستوى أهمية كل كلمة تحذيرية. يرجى قراءة الدليل والانتباه لتلك الرموز.

- ⚠️ **خطر:** تشير هذه الكلمة إلى وجود حالة خطر وشيكة، وإذا لم يتم تفاديها، فقد تؤدي إلى الوفاة أو الإصابة الجسيمة.
- ⚠️ **تحذير:** تشير هذه الكلمة إلى وجود حالة خطر محتملة، وإذا لم يتم تفاديها، فقد تؤدي إلى الوفاة أو الإصابة الجسيمة.
- ⚠️ **تنبيه:** تشير هذه الكلمة إلى وجود حالة خطر محتملة، وإذا لم يتم تفاديها، فقد تؤدي إلى حدوث إصابة بسيطة أو متوسطة.
- ⚠️ **ملاحظة:** تشير إلى ممارسة غير متعلقة بإصابة شخصية، إذا لم يتم تفاديها، فقد تؤدي إلى ضرر الممتلكات.
- ⚡ **تشير إلى خطر حدوث صدمة كهربائية.**
- 🔥 **تشير إلى خطر نشوب حريق.**

تحذير: لتقليل خطر حدوث الإصابات، يرجى قراءة دليل التعليمات.



## تحذيرات الأمان العامة للأدوات الكهربائية



تحذير: اقرأ جميع تحذيرات الأمان والتعليمات والإيضاحات والمواصفات الواردة مع هذه الأداة الكهربائية. إذ قد يؤدي عدم اتباع جميع الإرشادات إلى حدوث صدمة كهربائية وأو نشوب حريق وأو وقوع إصابة جسيمة.

احتفظ بجميع التحذيرات والتعليمات من أجل الرجوع إليها في المستقبل يشير المصطلح «أداة كهربائية» في التحذيرات إلى الأداة الكهربائية التي تعمل بالطاقة الكهربائية (مزودة بسلك كهربائي) أو الأداة الكهربائية التي تعمل بالبطارية (غير مزودة بسلك كهربائي).

## 1) أمان منطقة العمل

أ) احتفظ بمنطقة العمل نظيفة ومضاءة بطريقة جيدة. حيث أن المناطق المتكدسة بغير نظار أو المظلمة تؤدي إلى وقوع الحوادث.

- (ب) لا تقم بتشغيل الأدوات الكهربائية في الأجواء المتفجرة، كأن يوجد بالمكان سوائل أو غازات أو غبار قابل للاشتعال. قد تؤدي الأدوات الكهربائية التي تحدث شرارات في اشتعال الأتربة أو الأبخرة.
- (ج) أبق على الأطفال والأشخاص المشاهدين بعيداً أثناء تشغيل الأداة الكهربائية. فقد يؤدي تشتت الانتباه إلى فقدان سيطرتك.

## 2) السلامة الكهربائية

- (أ) يجب أن يتوافق قابس الأداة الكهربائية مع مصدر التيار الكهربائي. لا تقم مطلقاً بإجراء تعديل على القابس بأي طريقة. لا تستخدم قابس المحول مع الأدوات الكهربائية المؤرضة لتمر تأريضها، حيث ستقلل المقابس غير المعدلة ومصادر التيار الكهربائي المتطابقة من خطر حدوث صدمة كهربائية.
- (ب) تجنب ملامسة الجسم مع الأسطح الأرضية أو المؤرضة كالألابيب والمشعاع والموقد والثلاجات. حيث يوجد خطر متزايد من حدوث صدمة كهربائية إذا كان جسدك مؤرضاً أو ثابتاً على الأرض.
- (ج) لا تعرض الأدوات الكهربائية للمطر أو البلب. إذ سيؤدي الماء الذي يدخل الأداة الكهربائية إلى زيادة خطر حدوث صدمة كهربائية.
- (د) لا تستخدم الكابل بطريقة خاطئة. لا تستخدم مطلقاً السلك من أجل حمل الأشياء أو سحبها أو لنزع قابس الأداة الكهربائية. أبعد السلك عن الحرارة أو الزيوت أو الحواف الحادة أو الأجزاء المتحركة. إذ تزيد الأسلاك التالفة أو المتشابكة من خطر حدوث صدمة كهربائية.

- (هـ) عند تشغيل الأداة الكهربائية خارج المنزل، استخدم سلك استطالة ملائم للاستخدام في الأماكن الخارجية. حيث إن استخدام السلك الملائم للاستخدام الخارجي يقلل من خطر حدوث الصدمة الكهربائية.
- (و) إذا لم يكن هناك مفر من تشغيل الأداة الكهربائية في أحد الأماكن الرطبة، فاستخدم مصدر إمداد محمي بجهاز قاطع الدارة (RCD). استخدم جهاز التيار المتبقي يقلل من حدوث الصدمة الكهربائية.

## 3) السلامة الشخصية

- (أ) ابق حذراً وراقب ما تقوم بفعله واستمع بالحواس العامة عند تشغيل الأداة الكهربائية. لا تستخدم الأداة الكهربائية عندما تكون متعباً أو تحت تأثير المخدرات أو الكحول أو الأدوية. قد تؤدي أي لحظة من السهو أثناء تشغيل الأدوات الكهربائية إلى حدوث إصابة جسيمة.
- (ب) استخدم معدات الوقاية الشخصية. قم دوماً بارتداء واقي العينين. إذ أن استخدام معدات الوقاية مثل كمامات الأتربة، وأحذية الأمان المانعة للانزلاق، والخوذة الصلبة، أو واقي الأذن للحالات ذات الصلة سيقبل من الإصابات الشخصية.
- (ج) تجنب التشغيل العرضي. تأكد من أن المفتاح في وضع إيقاف التشغيل قبل التوصيل بمصدر الطاقة، و/أو مجموعة البطارية، أو النقاط أو حمل الأداة. حيث قد يؤدي حمل الأدوات الكهربائية أثناء وجود إصبعك على المفتاح أو إمداد الأدوات الكهربائية التي يكون مفتاحها بوضوح التشغيل بالكهرباء إلى وقوع الحوادث.
- (د) قم بإخراج أي مفتاح ضبط أو مفتاح ربط قبل تشغيل الأداة الكهربائية. فقد يؤدي ترك مفتاح الربط أو المفتاح بالجرح الدوار بالأداة الكهربائية إلى حدوث إصابة شخصية.
- (هـ) تجنب مد يدك بعيداً بالجهاز. حافظ على ثبات موضع قدمك والتوازن طيلة الوقت. إذ يساعدك ذلك على التحكم بشكل أفضل في الأداة الكهربائية في المواقف الفجائية.
- (و) ارتد ملابس مناسبة. تجنب ارتداء ملابس أو مجوهرات فضفاضة. أبعد الشعر والملابس والقفازات عن الأجزاء المتحركة. فقد تتشعر الملابس أو المجوهرات الفضفاضة أو الشعر الطويل في الأجزاء المتحركة.

- في حال توفير الأجهزة للتوصيل بوسائل استخلاص وتجميع الأتربة، فتأكد من توصيلها واستخدامها بطريقة صحيحة. حيث أن تجميع الأتربة قد يؤدي إلى تقليل المخاطر المتعلقة بالأتربة.
- 4 استخدام الأداة الكهربائية والعناية بها**
- لا تعامل بالقوة مع الأداة الكهربائية. استخدم الأداة الكهربائية الملائمة لغرض الاستخدام الخاص بك. حيث ستجذب الأداة الكهربائية الملائمة المهمة بشكل أفضل وأكثر أماناً عند المعدل الذي صممت من أجله.
- لا تستخدم الأداة الكهربائية إذا كان المفتاح لا يقوم بالتشغيل وإيقاف التشغيل. حيث تشكل أي أداة كهربائية لا يمكن التحكم فيها بواسطة المفتاح خطورة ويجب إصلاحها.
- قم بفصل القابس من مصدر الطاقة و/ أو مجموعة البطارية، إذا كانت قابلة للفصل، من الأداة الكهربائية قبل إجراء أي عمليات ضبط أو تغيير ملحقات أو تخزين الأدوات الكهربائية. تقلل إجراءات السلامة الوقائية هذه من خطر تشغيل الأداة الكهربائية بشكل فجائي.
- قم بتخزين الأدوات الكهربائية المتوقفة عن العمل بعيداً عن متناول الأطفال ولا تقم بالأشخاص غير الملمين بالأداة الكهربائية أو بهذه التعليمات يقومون بتشغيل الأداة الكهربائية. إذ تعد الأدوات الكهربائية مصدر خطورة في أيدي المستخدمين غير المدربين على استخدامها.
- حافظ على الأدوات الكهربائية والملحقات. افحص للتحري عن أي محاذة غير صحيحة أو تقييد للأجزاء المتحركة، أو كسر للأجزاء وأي حالات أخرى قد تؤثر على تشغيل الأداة الكهربائية. وفي حال وجود تلف، قم بإصلاح الأداة الكهربائية قبل الاستخدام. حيث يرجع سبب وقوع العديد من الحوادث إلى الصيانة السيئة للأدوات الكهربائية.
- حافظ على أدوات القطع في حالة حادة ونظيفة. حيث أن أدوات القطع التي تمر صيانتها بطريقة صحيحة ومزودة بحواف قطع حادة تتعرض بشكل أقل للالتصاق ويسهل التحكم بها على نحو أكبر.
- استخدم الأداة الكهربائية والملحقات ولقمر الأداة وما شابه ذلك وفقاً لهذه التعليمات مع الأخذ في الاعتبار ظروف التشغيل والعمَل المراد تنفيذه. إذ أن استخدام الأداة الكهربائية لعمليات مختلفة عن تلك العمليات المخصصة لها قد يؤدي إلى حالة خطرة.
- 5 الخدمة**
- أ قم بصيانة الأداة الكهربائية الخاصة بك على يد فني إصلاح مؤهل وذلك من خلال استخدام أجزاء بديلة متطابقة فقط. حيث يضمن ذلك الحفاظ على أمان الأداة الكهربائية.
- قواعد الأمان المحددة الإضافية**
- تعليمات الأمان الخاصة بجميع عمليات التشغيل**
- أ إن هذه الأداة الكهربائية مخصصة للعمل كجلاخة. اقرأ جميع تحذيرات الأمان والتعليمات والإيضاحات والمواصفات الواردة مع هذه الأداة الكهربائية. إذ قد يؤدي عدم اتباع جميع الإرشادات إلى حدوث صدمة كهربائية وأو نشوب حريق وأو وقوع إصابة جسيمة.
- ب لا يوصى بإجراء عمليات مثل التنعيم والتفريش بالفرشاة السلكية والتلميع والقطع باستخدام هذه الأداة الكهربائية. فقد تسبب الصدمات التي لم تصمم هذه الأداة الكهربائية للقيام بها في وقوع مخاطر وإحداث إصابات شخصية.
- ج لا تستخدم أية ملحقات غير مخصصة وغير موصى بها تحديداً من قبل الشركة المصنعة للأداة. فلا تعني إمكانية توصيل الملحقات بالأداة الكهربائية أنها تضمن التشغيل الآمن.
- د يجب أن تكون السرعة المقدره للملحق مساوية على الأقل للحد الأقصى للسرعة المحددة بالأداة الكهربائية. إذ قد تتحطم أو تتطاير أجزاء الملحقات التي تعمل بسرعة أكبر من سرعتها المقدره.
- ه يجب أن يكون القطر الخارجي وسمك الملحق ضمن تصنيف السعة للأداة الكهربائية الخاصة بك. لا يمكن الحذر من الملحقات ذات الأحجام غير الصحيحة أو التحكم فيها بشكل كافي.
- يجب أن يتناسب حجم غطاء الأسطوانة أو الشفاه أو وسائد الدعم أو أية ملحقات أخرى مع عمود دوران الأداة الكهربائية بدقة. حيث أن الملحقات المزودة بفتحات في الغطاء لا تتطابق مع أجهزة تركيب الأداة الكهربائية ستفقد توازنها وتتهز بشدة وقد تؤدي إلى فقدان السيطرة.
- لا تستخدم الملحقات التالفة. قبل كل استخدام، افحص الملحقات مثل الاسطوانة الكاشطة بحثاً عن الشروخ والتصدعات، ووسائد الدعم بحثاً عن التصدعات أو التمزق أو التلف الزائد، والفرشاة السلكية بحثاً عن الأسلاك السائبة أو المتكسرة. إذا سقطت الأداة الكهربائية أو أحد الملحقات، افحص بحثاً عن الأضرار التي لحقت به أو قم بتركيب ملحق سليم. بعد القيام بفحص وتركيب الملحق، ابتعد أنت والواقفين بجوارك عن مستوى دوران الملحق وقرم بتشغيل الأداة الكهربائية لأقصى حد للسرعة العادية لمدة دقيقة واحدة. ومن الطبيعي تحطم الملحقات التالفة أثناء وقت هذا الاختبار.
- أرتد معدات الوقاية الشخصية. حيث أن ارتداء حامي الوجه أو النظارات الواقية أو النظارات الزجاجية الواقية يتوقف على استخدام الجهاز. ووقف ما تقتضيه الحاجة، قم بارتداء كمادات الأتربة وواقيات الأذن والقفازات ومعطف العمل الذي يمكنه حمايتك من شظايا التليخ الصغيرة أو شظايا قطع العمل. يجب أن يكون وافي العين قادراً على الوقاية ضد الشظايا المتطايرة الناجمة عن العمليات المختلفة. يجب أن تكون كمادات الأتربة أو جهاز التنفس قادراً على ترشيح الجسيمات الناجمة عن عملك. قد يتسبب التعرض لفترة طويلة لضوضاء عالية الكثافة في فقدان السمع.
- أبعد المرأة مسافة كافية عن منطقة العمل. يجب على أي شخص يدخل منطقة العمل ارتداء معدات الوقاية الشخصية. إذ قد تتطاير شظايا الجزء الذي يجري العمل به أو الملحقات التالفة وتحدث إصابات خارج منطقة العمل الفعلية.
- قم بإمسك الأداة الكهربائية بواسطة أسطح الإمساك المعزولة عند تنفيذ العملية حيث قد يتلامس ملحق القطع مع الأسلاك الخفية أو السلك الخاص بها. ملحق القطع المتلامس مع السلك "النشط" قد يؤدي إلى "تشطش" الأجزاء المعدنية المشحونة من الأداة الكهربائية وتعرض المشغل للصعق بالكهرباء.
- ضع السلك بعيداً عن ملحق الدوران. إذ في حالة فقدان السيطرة، قد يقطع السلك أو يترمزق وقد تجذب يدك أو ذراعك في اتجاه ملحق الدوران.
- لا تتعص الأداة مطلقاً حتى يتوقف الملحق تماماً. فقد يلامس ملحق الدوران السطح ويجذب الأداة الكهربائية بعيداً عن سيطرتك.
- لا تقم بتشغيل الأداة الكهربائية أثناء حملها إلى جانبك. فقد يمزق التلامس العرضي بملحق الدوران ملابسك جاذبا للملحق إلى جسدك.
- قم بتنظيف منافذ الهواة الموجودة بالأداة الكهربائية بانتظام. حيث أن مروحة المحرك ستجذب التراب إلى داخل التجويف وقد يتسبب التراكم الزائد لمسحوق المعادن في وقوع مخاطر كهربائية.
- تقم بتشغيل الأداة الكهربائية بالقرب من المواد القابلة للاشتعال. إذ قد تتسبب الشرارات في إشعال هذه المواد.
- لا تستخدم قط أية ملحقات تحتاج إلى مبردات سائلة. فقد يؤدي استخدام المياه أو أية مبردات سائلة أخرى إلى صدمة أو صدمة كهربائية.
- تعليمات الأمان الإضافية لجميع عمليات التشغيل**
- الأسباب وإجراءات الوقاية الخاصة بالمشغل ضد الارتداد**
- الارتداد هو رد فعل مفاجئ لأسطوانة الدوران أو وسادة الدعم أو الفرشاة أو أي ملحق آخر مضغوط عليه أو مشقوق. يسبب الضغط أو القطع توقفاً سريعاً لأسطوانة الدوران والتي بدورها تجبر الأداة الكهربائية غير المتحكم بها أن تتجه عكس اتجاه دوران الملحق عند نقطة الالتصاق.
- على سبيل المثال، إذا لحق بالاسطوانة الكاشطة شروخ أو ضغط عليها من خلال القطعة التي يتم العمل عليها، فإن حافة الاسطوانة التي تدخل في نقطة الضغط يمكن أن تحفر في سطح المادة دافعة الاسطوانة إلى الخروج أو الارتداد. قد تتفقر الاسطوانة نحو المشغل أو بعيداً ووفقاً لجهة حركة الاسطوانة عند نقطة الالتصاق. قد تنكسر الاسطوانات الكاشطة في هذه الظروف.

تم تزويد الأداة الخاصة بك من DeWALT بعازل مزدوج طبقاً لمعيار EN60745، لذا لا حاجة للسلك الأرضي.



**تحذير:** يجب تشغيل الوحدات بقدر 120 فولت من خلال محول العزل الآمن من التعطل مع شاشة التأريض بين اللفات الرئيسية وغير الرئيسية.



في حالة استبدال السلك أو القابس في الأداة، يجب أن تتم عملية الإصلاح من قبل مركز خدمة معتمد أو فني مؤهل.

## استبدال قابس التيار الرئيسي (الشرق الأوسط وإفريقيا)

إذا استدعت الضرورة تركيب قابس تيار رئيسي، فقم بالتالي:

- تخلص بأمان من القابس القديم.
- قم بتوصيل السلك البني بطرف التوصيل النشط في القابس.
- قم بتوصيل السلك الأزرق بطرف التوصيل المحايد.
- **تحذير:** لا يتم إجراء أي توصيل بطرف التوصيل الأرضي.



قم باتباع التعليمات الواردة مع القوابس ذات الجودة العالية المنصهر الموصى باستخدامه: 13 أمبير.

## استخدام كابل الاستطالة

إذا استدعت الضرورة استخدام كابل استطالة، فاستخدم كابل استطالة معتمد ملائم لدخل طاقة هذه الأداة، (انظر البيانات الفنية). الحد الأدنى لحجم الموصل هو 1.5 مم<sup>2</sup> الطول الأقصى هو 30 م. عند استخدام بكرة الكابل، قم دوامًا بفك الكابل تمامًا.

## محتويات العبوة

تحتوي العبوة على ما يلي:

- 1 جلاخة زاوية
- 1 وافي
- 1 مقبض جانبي
- 1 مجموعة الشفاه
- 1 المفتاح السداسي
- 1 دليل التعليمات
- افحص بحثًا عن أي تلف لحق بالأداة أو الأجزاء أو الملحقات يمكن أن يكون قد حدث أثناء النقل.
- خذ الوقت اللازم لقراءة هذا الدليل وافهمه جيدًا قبل التشغيل.

## علامات على الأداة

الصور التالية موضحة على الأداة:

اقرأ دليل التعليمات قبل الاستخدام.



قم بارتداء واقبات الأذن.



قم بارتداء واقبات العين.



الارتداد ينجم عن سوء استخدام الأداة الكهربائية و/أو بسبب إجراءات التشغيل غير الصحيحة أو الظروف غير الملائمة ويمكن تفاديه عن طريق اتخاذ إجراءات الوقاية الصحيحة كما هو مبين أدناه:

- أمسك الأداة الكهربائية بإحكام واجعل جسدك وذراعك في موضع يسمح لك بمقاومة قوى الارتداد.** استخدم دوماً المقبض الإضافي، إن وجد، لاقص درجات التحكم في الارتداد أو ردة فعل العزم أثناء بدء التشغيل. يمكن للمشغل أن يتحكم في قوى الارتداد أو ردة فعل العزم إذا ما اتخذت الاحتياطات الملائمة.
- لا تضع يدك مطلقاً بالقرب من الملحق الدوار.** فقد يرتد الملحق على يدك.
- لا تضع جسدك في المنطقة التي ستتحرك فيها الأداة الكهربائية في حالة حدوث الارتداد.** إذ سيدفع الارتداد الأداة في عكس اتجاه حركة الاسطوانة عند موضع القطع.
- اتخذ الحرص الكافي عند العمل على الأركان والحواف الحادة وما إلى ذلك.** تجنب ارتداد وقطع الملحق. تميل الأركان والحواف الحادة إلى الضغط على ملحق الدوران والتنسب في فقد التحكم أو حدوث ارتداد.
- لا تقم بتركيب شفرة منشار لسلسلي لحفر الخشب أو شفرة منشار مسنن.** تحدث هذه الشفرات ارتدادات متكررة وفقدان للسطوة.

## تحذيرات السلامة الخاصة بعمليات الجليخ

- استخدم أنواع الاسطوانات الموصى بها لأداتك الكهربائية فقط والواقي الخاص المصمم للأسطوانة المحددة.** تتعدى الوقاية من الاسطوانات التي لم تصمم الأداة الكهربائيّة من أجلها كما أنها غير آمنة.
- يجب تركيب الواقي بإحكام بالأداة الكهربائية ووضعه للحصول على أفضل قدر من السلامة، بحيث تظفر أقل مساحة من الاسطوانة للمشغل.** يساعد الواقي في حماية المشغل من شطايا الاسطوانة عند تكسرها، والاتصال العرضي بالاسطوانة والشرر الذي قد يحرق الملابس.
- يجب استخدام الاسطوانات في التطبيقات الموصى بها فقط. على سبيل المثال: لا تقم بالجليخ باستخدام وجه أسطوانة القطع.** الاسطوانات الكاشطة القاطعة مصممة لأجل الجليخ الطرقي، إذ قد تتسبب القوى الجانبية الواقعة على هذه الاسطوانات في تحطمها.
- استخدم دوماً شفاه بارزة غير تالفة للأسطوانة وذات حجر وشكل ملائمين لأسطوانتك المحددة.** إذ تدعم الشفاه البارزة الملائمة الاسطوانة ومن ثمر تقلل احتمال تكسر الاسطوانة. قد تختلف الشفاه البارزة الخاصة بأسطوانات القطع عن الشفاه البارزة لأسطوانات الجليخ.
- لا تستخدم أسطوانات مهترأة من أدوات كهربائية أكبر حجماً.** إذ لا تناسب الاسطوانة المصممة لأداة كهربائية أكبر سرعة الأداة الأصغر حيث قد تتحطم.
- تحذير:** نوصي باستخدام جهاز قاطع الدورة مع ضبط قطع الدورة على 30 ملي أمبير أو أقل.



## المخاطر المتبقية

على الرغم من تطبيق تعليمات السلامة ذات الصلة والتزود بأجهزة الأمان، إلا أنه لا يمكن تفادي بعض المخاطر المتبقية المحددة. وتشمل هذه المخاطر ما يلي:

- ضعف السمع.
- خطر التعرض للإصابة الشخصية بسبب الجسيمات المتطايرة.
- خطر التعرض للحروق بسبب سخونة الملحقات أثناء التشغيل.
- خطر التعرض لإصابة شخصية بسبب الاستخدام المطول.
- خطر غبار المواد الخطرة.

## السلامة الكهربائيّة

تم تصميم المحرك الكهربائي لتحمل جهد كهربائي واحد فقط. تأكد دوامًا من أن مصدر إمداد الطاقة مطابق للجهد الكهربائي المبين على لوحة التصنيف.

## وضع كود التاريخ (الشكل A)

كود التاريخ 5 الذي يتضمن كذلك عام التصنيع، مطبوع في الغلاف.  
مثال:

2017 XX XX

سنة التصنيع

## الوصف (الشكل A)

**تحذير:** لا تقم مطلقاً بتعديل الأداة الكهربائية أو أي جزء منها. فقد ينجم عن ذلك التلف أو الإصابة الشخصية.

- 1 مفتاح التشغيل/ إيقاف التشغيل
- 2 زر قفل عمود الدوران
- 3 الواقي
- 4 المقبض الجانبي

## الاستخدام المقصود

تم تصميم الجلاخة المستقيمة DWE4010/ DWE4010T / DWE4114/ DWE4115 لأجل تطبيقات الجلاخ الاحترافية.

**لا تستخدمها** في ظروف البلبل أو في وجود سوائل أو غازات قابلة للاشتعال.

إن جلاخات الزاوية الخاصة بالمهام الصعبة هذه من الأدوات الكهربائية الاحترافية.

لا تدع الأطفال يلمسون الأداة. يكون الإشراف أمرًا ضروريًا عند استخدام مشغل قليل الخبرة لهذه الأداة.

هذا المنتج غير مخصص للاستخدام من قبل الأفراد (بما في ذلك الأطفال) الذين يعانون من قصور في القدرات الجسدية أو العقلية، أو قلة الخبرة أو المعرفة أو المهارات ما لم يكونوا تحت إشراف من يتحمل مسؤولية سلامتهم. لا ينبغي أن يُترك الأطفال وحدهم مع هذا المنتج.

## عمليات التجميع والضغط

**تحذير:** لتقليل خطر التعرض للإصابة الشخصية الجسيمة، قم بإيقاف تشغيل الأداة وفصلها من مصدر الطاقة قبل إجراء أي عمليات ضبط، أو إزالة/ تركيب الملحقات أو الإكسسوارات. تأكد من أن مفتاح التشغيل في وضع OFF (إيقاف التشغيل). قد يؤدي بدء التشغيل غير المقصود إلى حدوث إصابة.

## تركيب المقبض الجانبي (الشكل B)

**تحذير:** قبل استخدام الأداة، تأكد من أن المقبض مثبت بإحكام.

**تحذير:** يجب استخدام هذا المقبض بصفة دائمة للحفاظ على السيطرة على الأداة في كافة الأوقات.

اربط المقبض الجانبي 4 بإحكام في إحدى الفتحات 6 الموجودة على أي من جانبي علبه التروس.

## تركيب الواقي وإزالته (الشكل C)

**تنبيه:** يجب استخدام الواقي مع هذه الجلاخة.

## تركيب الواقي

- 1 ضع جلاخة الزاوية على طاولة، مع جعل عمود الدوران لأعلى.
- 2 اضغط على الواقي 3 لأسفل (الشكل C1)
- 3 ضع الواقي بين الجسم وقطعة العمل.
- 4 أحكم ربط البرغي 12 مع الإمساك بحلقة السرج بإحكام حول عنق عمود الدوران (الشكل C2)

## إزالة الواقي

- 1 قم بترك البرغي 12 مع الإمساك بحلقة السرج حول عنق عمود الدوران
- 2 قم برفع الواقي.

## تركيب وإزالة قرص الجلاخ (الأشكال A، D، و E)

**تحذير:** لا تستخدم قرصًا تالفًا.

- 1 ضع الأداة على طاولة، مع جعل الواقي لأعلى.
- 2 قم بتركيب شفة الدعم 7 بشكل صحيح فوق عمود الدوران 8 (شكل D).
- 3 ضع القرص 9 على الشفة 7. عند تركيب قرص به مركز مرتفع، تأكد من أن المركز المرتفع 10 يواجه الشفة 7.
- 4 قم بتركيب الشفة الخارجية 11 فوق عمود الدوران 8 (الشكل E). يجب أن تواجه الحلقة الموجودة في الشفة 11 القرص عند تركيب قرص جلاخ.
- 5 اضغط زر قفل عمود الدوران 2 وقرم بتدوير عمود الدوران 8 حتى ينغلق في مكانه.
- 6 أحكم ربط الشفة باستخدام 11 المفتاح السداسي المرفق أو مفتاح البراغي ذو الدبوسين.
- 7 حرر قفل عمود الدوران.
- 8 لإزالة القرص، قم بتركيب الشفة 11 باستخدام المفتاح السداسي المرفق أو مفتاح البراغي ذو الدبوسين.

## قبيل عملية التشغيل

- قم بتركيب الواقي والقرص أو الأسطوانة المناسبة. لا تستخدم الأقراص أو الأسطوانات المهالكة بشكل زائد.
- تأكد من تثبيت الحواف الداخلية والخارجية بشكل صحيح.
- تأكد من أن القرص أو الأسطوانة تدور في اتجاه الأسهم الموجودة على الملحقة والأداة.

## تعليمات الاستخدام

**تحذير:** التزم دومًا بتعليمات الأمان واللوائح المعمول بها.

**تحذير:** لتقليل خطر التعرض للإصابة الشخصية الجسيمة، قم بإيقاف تشغيل الأداة وفصلها من مصدر الطاقة قبل إجراء أي عمليات ضبط، أو إزالة/ تركيب الملحقات أو الإكسسوارات. تأكد من أن مفتاح التشغيل في وضع OFF (إيقاف التشغيل). قد يؤدي بدء التشغيل غير المقصود إلى حدوث إصابة.

**تحذير:**

- تأكد من أن جميع المواد المراد قصها أو جلاخها ثابتة بإحكام في مكانها.
- اضغط برفق على الأداة. لا تمارس ضغطًا كبيرًا على القرص.
- تجنب زيادة الحمل. في حالة ما إذا أصبحت الأداة ساخنة، اتركها تدور لعدة دقائق في وضعها الطبيعي وليس تحت حمل.

## الوضع اليدوي الصحيح (الشكلان A، و F)

**تحذير:** لتقليل خطر حدوث الإصابة الشخصية الجسيمة، استخدم دومًا الوضع اليدوي الملائم كما هو موضح.

**تحذير:** لخفض خطر التعرض للإصابة الجسدية الجسيمة،

يتطلب الوضع اليدوي الملائم استخدام يد واحدة على المقبض الجانبي 4، مع وجود اليد الأخرى على جسم الأداة كما هو موضح بالشكل F.

## المفاتيح

**تحذير:** لا تقم بتشغيل الأداة أو إيقافها عند وجود حمل.

**تحذير:** قبل استخدام الأداة، تأكد من أن المقبض مثبت بإحكام.

## فرش الطرد

سينغلق المحرك تلقائياً مشيراً إلى أن الفرش الكربونية تقريبا قد بليت وأن الأداة بحاجة إلى صيانة. فرش الكربون ليست قابلة للصيانة من قبل المستخدم. خذ الأداة إلى مركز صيانة معتمد تابع لـ DEWALT.



## التشحيم

لا تحتاج الأداة الكهربائية الخاصة بك إلى أي تشحيم إضافي.



## التنظيف

**تحذير:** قم بنفخ الأتربة والغبار خارج التجويف الرئيسي بواسطة الهواء الجاف عدد أكبر من المرات في حال مشاهدة تجمع الأتربة بدخل المنافذ الهوائية وحولها. قم بارتداء واقي العين المعتمد وكمامة الأتربة المعتمدة عند تنفيذ هذا الإجراء.



**تحذير:** لا تقم مطلقاً باستخدام مذيبات أو أي مواد كيميائية قاسية أخرى لتنظيف الأجزاء غير المعدنية بالأداة. إذ قد تضعف هذه المواد الكيميائية من المواد المستخدمة في هذه الأجزاء. استخدم قطعة قماش مبللة بالماء والصابون الخفيف فقط. لا تسمح قط دخول أي سائل إلى الأداة، ولا تقم مطلقاً بغمر أي جزء من الأداة في السائل.

## الملحقات الاختيارية

**تحذير:** نظراً لأن الملحقات، بخلاف تلك التي اعتمدها DEWALT، لم تخضع للاختبار مع هذا المنتج، فإن استخدام مثل هذه الملحقات مع الأداة قد يشكل خطورة. لتقليل خطر وقوع إصابة، يجب استخدام ملحقات DEWALT الموصى بها فقط مع هذا المنتج. استشر وتكلم لمعرفة المزيد من المعلومات حول الملحقات الملائمة.



## حماية البيئة

التجميع المنفصل، يجب عدم التخلص من المنتجات والبطاريات المحددة بهذا الرمز من خلال القمامة المنزلية العادية. فهذه المنتجات والبطاريات تحتوي على مواد يمكن استعادتها أو إعادة تدويرها لخفض الطلب على المواد الخام. الرجاء التخلص من المنتجات الكهربائية والبطاريات وفقاً للقوانين المحلية. توجد معلومات إضافية متوفرة على الموقع [www.2helpU.com](http://www.2helpU.com)



## المفتاح المنزلق (الشكل A)

DWE4115 / DWE4114 / DWE4010

لبدء تشغيل الأداة، قم بتحريك مفتاح التشغيل/إيقاف التشغيل المنزلق ❶ ناحية الجزء الأمامي للأداة، وإيقاف تشغيل الأداة، حرر مفتاح التشغيل/إيقاف التشغيل المنزلق. للتشغيل المتواصل، حرك المفتاح ناحية الجزء الأمامي للأداة، ثم اضغط على الجزء الأمامي للمفتاح إلى الداخل. وإيقاف الأداة أثناء التشغيل في الوضع المتواصل، اضغط على الجزء الخلفي للمفتاح المنزلق، ثم حرره.

## مفتاح التشغيل (الشكل A)

DWE4010T

لتشغيل الأداة، اضغط على المفتاح ❶ للداخل قبل تحريكه بالكامل للأمام. وإيقاف الأداة، حرك المفتاح ❶ مرة أخرى في الاتجاه المعاكس. لإيقاف الأداة أثناء التشغيل المستمر، اضغط على الجزء الخلفي من المفتاح.

## قفل عمود الدوران (الشكل A)

تم توفير إمكانية قفل عمود الدوران ❷ لمنع عمود الدوران من الدوران عند تثبيت أو إزالة الأسطوانات. يتم تشغيل قفل عمود الدوران فقط عندما يتم إيقاف الأداة، فضلاً عن التبار الكهربائي، أن تكون متوقفة بشكل كامل.



**ملاحظة:** للحد من مخاطر تلف الأداة، لا تجذب قفل عمود الدوران أثناء عمل الأداة، سوف تتضرر الأداة ويمكن الملحقات الخارجية أن تفصل للخارج مسببة إصابة.

كي تقوم بالقتل، قم بالضغط على زر قفل عمود الدوران وقرم بتدوير عمود الدوران حتى تصبح غير قادر على تدويره أكثر.

## التطبيقات المعدنية

عند استخدام الأداة مع تطبيقات معدنية، تأكد من إدراج الجزء المتبقي الحالي (RCD) وذلك لتجنب مخاطر البقايا الناجمة عن خراطة المعادن. إذا تم إيقاف تزويد الطاقة بواسطة RCD، خذ الأداة إلى وكيل صيانة تابع لـ DEWALT. **تحذير:** في ظروف العمل القصوى، يمكن أن يتراكم الغبار الموصل داخل بيت الماكينة وذلك عند العمل مع المعادن. قد يؤدي هذا إلى تقادم العازل الواقي الموجود بالماكينة مع وجود خطورة التعرض لصدمة كهربائية.



لتجنب تراكم البقايا المعدنية داخل الماكينة، نوصي بتنظيف فتحات التهوية يوميا. راجع الصيانة.

## استخدام الأقراص القلابة

**تحذير:** تراكم الغبار المعدني. الاستخدام الزائد للأقراص ذات الشفة في التطبيقات المعدنية قد يؤدي إلى زيادة احتمالية الصدمة الكهربائية. لتقليل هذه الخطورة، قم بإدراج الجزء المتبقي الحالي قبل الاستخدام وقرم بتنظيف فتحات التهوية يوميا من خلال نفخ هواء مضغوط جاف في فتحات التهوية وفقاً لتعليمات الصيانة التالية.



## الصيانة

تم تصميم الأداة الكهربائية DEWALT الخاصة بك للعمل خلال فترة زمنية طويلة مع أدنى حد من الصيانة. يعتمد التشغيل المرضي المتواصل على العناية الملائمة بالأداة وتنظيفها بشكل منتظم.

**تحذير:** لتقليل خطر التعرض للإصابة الشخصية الجسيمة، قم بإيقاف تشغيل الأداة وفصلها من مصدر الطاقة قبل إجراء أي عمليات ضبط، أو إزالة/تركيب الملحقات أو الإكسسوارات. تأكد من أن مفتاح التشغيل في وضع OFF (إيقاف التشغيل). قد يؤدي بدء التشغيل غير المقصود إلى حدوث إصابة.



<b>Afghanistan</b>	Ariana Hafiz Zabi Co. Ltd. Dahan Bagh Squire Karte Ariana, Kabul, Afghanistan	info@arianahafiz.com	Tel: 93-0-799331079 Fax: 93-0-70000576 / 93-0-799331079
<b>Algeria</b>	Sarf Outilage Corporation 08, Rue Med Boudiaf (ex TELLA Achen) Cheraga, Alger	hakim.merdjadi@outilage-dz.com lyes@outilage-dz.com Mali.faiza@outilage-dz.com; sidahmed@outilage-dz.com	Tel: 213-0-21375130 213-0-21375131 Fax: 213-0-21369667
<b>Angola</b>	Angoferraria, Lda. Rua Robert Shields, nº 61, Luanda, Angola	angoferraria@gmail.com sequeira.angoferraria@gmail.com	Tel: 244-222-395837 / 244-222-395034 Fax: 244-222-394790
<b>Azerbaijan</b>	Royalton Holdings Ltd. 41 Khagani St. Apt. 47 AZ1001 Baku- Azerbaijan	jai@royaltonholdings.com office@royaltonholdings.com	Tel: 994-12-4935544 Fax: 994-12-5980378
<b>Egypt</b>	ElFarab S.A.E. 15-Nabil El Wakkad Street, Dokki, Giza, Egypt	elfarab@elfarab.com adel.ezzat@elfarab.com mahmoud.elhosseiny@elfarab.com	Tel: 202-37603946 Fax: 202-33352796
<b>Ethiopia</b>	Seif Tewfik Sherif Arada Sub City, Kebele 01/02, Global Insurance Bldg., 2nd Flr., Room 43, P.O. Box 2525, Addis Ababa	seif@ethionet.et nawanag@ethionet.et	Tel: 251-11-1563968 251-11-1563969 Fax: 251-11-1558009
<b>Iraq</b>	Al-Sard Co. for General Trading Ltd Jbara Bldg. 3Flr. Al Rasheed St., Baghdad, Iraq	dewalt.service@yahoo.com	Tel: 964-18184102
<b>Jordan</b>	Amman West Stores-Bashti 210 Garden St. Tla'a Ali, P.O. Box 1564 Tla Ali Amman 11953, Jordan	ali@bашitstores.com yousef@bашitstores.com	Tel: 962-6-5350009 Fax: 962-6-5350012
<b>Kenya</b>	Dextron Tools Ltd. P.O. Box 20121-00200, Shariff House, Kimathi Street, Nairobi	info@alibhaisariff.co.ke dextron@alibhaisariff.co.ke	Tel: 254-20-6905000 254-20-2358021 Fax: 254-20-6905111 / 254-20-6905112
<b>Lebanon</b>	Est. Shaya & Azar S.A.R.L. Boulevard Jdeideh - Mar Takla - Bouchrieh . P.O. Box 90545, Jdeideh. Beirut - Lebanon	shayazar@dm.net.lb	Tel: 961 1 872305 961 1 872306 Fax: 961 1 872303
<b>Libya</b>	North Africa Trading (El Ghoul Brothers) P.O. Box 348, 7 October Street 11 Benghazi	maryam_farooq2003@yahoo.com nagte@eim.ae dewalt_libya@yahoo.com	Tel: 218-061-3383994 Fax: 218-092-7640688
	North Africa Trading (El Ghoul Brothers) AlBarniq DeWALT Center, Mokhazin-elsukar St. ElFallah, Tripoli	dewalt_libya@yahoo.com	Tel: 218-021-3606430 Fax: 218-092-6514813
	North Africa Trading (El Ghoul Brothers) AlHilal Service Center Tawergha St., Misurata		Tel: 218-091-3221408
<b>Mauritius</b>	Robert Le Marie Limited Old Moka Road, Bell Village, P.O. Box 161, Port Louis	a.blackburn.rlm@ringroup.mu jm.pierelouis.rlm@ringroup.mu	Tel: 230-212 1865 230-212 2847 Fax: 230-2080843
<b>Morocco</b>	Ets Louis Guillaud & Cie 31, Rue Pierre Parent, Casablanca - 21000	boumadiane.azedine@elg.ma doukhal.marouane@elg.ma	Tel: 522-301446 / 305971 / 317815 / 315576 Fax: 522-444518 / 317888
<b>Nigeria</b>	Meridian Power Tools Ltd. Gr. Floor, #1 Alhaji Masha Rd, Next to Teslim Balogun Stadium, Near National Stadium Surulere, Lagos, Nigeria	braj@meridian-nigeria.com	Tel: 234-1-7740431 234-1-7740410 Fax: 234-1-7913798
<b>Pakistan</b>	Northern Toolings (Pvt) Ltd.-Lahore 86- Railway Road, Lahore - 7 Pakistan	zhayee@northern.pk import@northern.pk sales@northern.pk	Tel: 92-423-7651220 92-423-7641675 Fax: 92-423-7641674
	Northern Toolings (Pvt) Ltd.-Karachi 224-231 Industrial Town Plaza, Shahrah-e-Liaqat, Karachi, Pakistan	karachibr@northern.pk	Tel: 92-213-2465305 92-213-2465307 Fax: 92-213-2465301
	Northern Toolings (Pvt) Ltd.-Taxila Al-Rehman Plaza, Opposite Tehsil Court, Faisal Shaheed Road, Taxila	taxilabr@northern.pk	Tel: 92-51-4545811 Fax: 92-51-4544194
<b>South Africa</b>	Benray Tool Wholesalers C.C. 91 Turfontein Road, Stafford, Johannesburg, 2001 P.O. Box 260037 EXCOM 2023, South Africa	dewalt.service@benray.co.za zain@benray.co.za shafiq@benray.co.za	Tel: 27-11-6838350 Fax: 27-11-6837456
<b>Tanzania</b>	General Motors Investment Ltd. 14 Vingunguti-Nyerere Road, P.O.Box 16541, Dar es Salaam, Tanzania	ezra@gmi-tz.com info@gmi-tz.com chiwelesa@yahoo.com	Tel: 255-22-2865022 / 2862661 / 2862671 / 2862659 Fax: 255-22-2862667
<b>Tunisia</b>	Ets. Mohamed Ghorbel 03 Rue 8603 Chargaia I Tunis. Postal Code 2035	slim.ghorbel@gnet.tn moh.ghorbel@gnet.tn mourad.ghorbel@gnet.tn	Tel: 216-71794248 216-71793848 Fax: 216-71770759
<b>Uganda</b>	The Building Center (21 ) Ltd. 52 Station Road, Kitgum House, P.O. Box 7436 Kampala, Uganda	tbc@africaonline.co.ug chris@tbcu.co.ug	Tel: 256-041-4234567 256-041-4259754 Fax: 256-041-4236413
<b>Yemen</b>	Middle East Trading Co. (METCO) 5th Flr.Hayel Saeed Anam Bldg. Al-Mugamma St. Taiz, Yemen	tamer.metco@gmail.com tamer@metcotrading.com metco@metcotrading.com sami@metcotrading.com	Tel: 967-4-213455 Fax: 967-4-219869
	Middle East Trading Co. (METCO) Mualla Dakka, Aden	tamer.metco@gmail.com tamer@metcotrading.com metco@metcotrading.com	Tel: 967-2-222670 Fax: 967-2-222670
	Middle East Trading Co. (METCO) Hayel st., Sana'a, Yemen	tamer.metco@gmail.com tamer@metcotrading.com metco@metcotrading.com	Tel: 967-1-204201 Fax: 967-1-204204



<b>UAE</b>	Black & Decker (Overseas) GmbH P.O. Box 5420, Dubai	service.mea@blackdecker.com	Tel: 971-4 8127400 / 8127406 Fax: 971-4 2822765
	Ideal Star Workshop Eqpt. Trading LLC P.O. Box 37116, Al Quoz, Dubai	idealeq@emirates.net.ae	Tel: 971-4 3474160 Fax: 971-4 3474157
	Alebrah Engineering Service P.O. Box 78954, Al Qusais, Dubai	alebrah@eim.ae	Tel: 971-4 2850044 Fax: 971-4 2844802
	Burj Al Madeena Industrial Area No. 1, opp. Pakistani Masjid P.O. Box 37635, Sharjah	dewaltuae@hotmail.com	Tel: 971-6 5337747 Fax: 971-6 5337719
	McCoy Middle East LLC P.O. Box 25793, Sharjah	mccoy@emirates.net.ae	Tel: 971-6 5395931 Fax: 971-6 5395932
	McCoy Middle East LLC P.O. Box 10584, Ras Al Khaimah	mccoyrak@gmail.com	Tel: 971-7 2277095 Fax: 971-7 2277096
	Al Sukoon Gen. Trdg. Co. LLC P.O. Box 2975, Ajman	sukoon@eim.ae	Tel: 971-6 7435725 / 7438317 Fax: 971-6 7437350
	Zillion Equipment and Spare Parts Trading LLC P.O. Box 19740, opp. Bin Sadal / Trimix Redymix Sanaiya, Al Ain	zilliontrdg@gmail.com	Tel: 971-3 7216690 Fax: 971-3 7216103
	Light House Electrical, Abu Dhabi Branch P.O. Box 120, Abu Dhabi	dewalt_lhe@hotmail.com	Tel: 971-2 6726131 Fax: 971-2 6720667
	Light House Electrical, Musaffah Branch P.O. Box 120, Abu Dhabi	dewalt_lhe@hotmail.com	Tel: 971-2 5548315 Fax: 971-2 5540461
<b>Bahrain</b>	Alfouz Services Co. WLL P.O. Box 26562, Tubli, Manama	alfouz@batelco.com.bh	Tel: 973 17783562 / 17879987 Fax: 973 17783479
	Kavalani & Sons W.L.L. P.O. Box 71, Sitra, Manama	info@kavalani.com pradeep@kavalani.com	Tel: 973 17732888 Fax: 973 17737379
<b>Kuwait</b>	Al Omar Technical Co. P.O. Box 4062, Safat 13041, Kuwait	alexotc@usa.net	Tel: 965 24848595 / 24840039 Fax: 965 24845652
	Fawaz Al Zayani Establishment P.O. Box 42426, Shop No.18, Al Humaizi Commercial Complex, Khalifa Al Jassim, Shuwaikh	dewaltkuwait@hotmail.com	Tel: 965 24828710 Fax: 965 24828716
	Fawaz Al Zayani Establishment Fahaheel Industrial Area, Main St., Sanaya	dewaltkuwait@hotmail.com	Tel: 965 23925830 Fax: 965 24828716
<b>Oman</b>	Al Jizzi Company LLC P.O. Box 1704, P.C. 112, Ruwi	aljizied@omantel.net.om jizzi10@omantel.net.om	Tel: 968 24832618 / 24835153 Fax: 968 24831334 / 24836460
	Al Hassan Technical & Construction Supplies Co. LLC P.O. Box 1948, P.C. 112, Ruwi	hamriya.sr@al-hassan.com abrar.h@al-hassan.com	Tel: 968 24810575 / 24837054 Fax: 968 24810287 / 24833080
	Oman Hardware Co. LLC P.O. Box 635, Ruwi Postal Code 112	omanhard@omantel.net.om	Tel: 968 24815131 Fax: 968 24816491
	Khimji Ramdas P.O. Box 19, Post Code 100, Ghala, Muscat	bilal.m@khimjiramdas.com	Tel: 968 24595906/ 907 Fax: 968 24852752
<b>Qatar</b>	Teyseer Industrial Supplies & Services Co. WLL 55, Al Wakalat St. (Between St. 18 & 19) Salwa Industrial Area, P.O. Box 40523 Doha	manish@tissoo-qatar.com tool.service@tissoo-qatar.com	Tel: 974 4581536 Fax: 974 4682024
	Shaheen Electrical Works & Trading Co. WLL Gate 34, St. 44 Industrial Area P.O. Box 9756, Doha	shaheenelc@gmail.com	Tel: 974 460 02 30 / 460 05 25 Fax: 974 460 13 38
<b>KSA</b>	Industrial Material Organization (IMO) P.O. Box 623, Rail Street, Riyadh	service@imo.com.sa	Tel: 966-1 4028010 Ext. 26 Tel: 966-1 8001245757 Fax: 966-1 4037970
	Fawaz Ebrahim Al Zayani Trading Est. P.O. Box 76026, Al Raka : 31952	dewaltdammam@hotmail.com	Tel: 966-3 8140914 Fax: 966-3 8140824
	MSS (Al-Mojil Supply & Services) P.O. Box 450, Jubail 31951	mssjubail@almojilservices.com alex.chang@almojilservices.com	Tel: 966-3 3612850 / 3624487 Tel: 966-3 3621729 Fax: 966-3 3623589 / 3620783
	Opp-Gulf Bridge Library & Riyadh House		
	EAC (Al Yousef Contg. & Trdg. Est.) P.O. Box 30377, Jeddah -21477	golamkibria77@yahoo.com	Tel: 966-2 6519912 Fax: 966-2 6511153
	Mohamed Ahmed Bin Afif Est. P.O. Box 530, Yanbu, Al Bahr	binaffiyanbu@hotmail.com	Tel: 966-4 3222626 / 3228867 Fax: 966-4 3222210
	Garziz Trading for Bldg Mat & Decoration P.O. Box 3364, Madina	agarziz@yahoo.com	Tel: 966-4 826 14 90 / 822 76 36 Fax: 966-4 826 57 41
	Sultan Garment Factory (RSC) P.O. Box 29912, Riyadh 11467	rscservice@dligi.net.sa	Tel: 966-1 4055148 / 4042889 Fax: 966-1 4055148
	Al Bawardi Tools & Hardware P.O. Box 112, Dammam 31411	asattar@albawardi.com nibanez@albawardi.com	Tel: 966-3 8330780 Ext. 24 Tel: 966-3 8348585 Ext. 24 Fax: 966-3 8336303
	Al Bawardi Tools & Hardware P.O. Box 68, Riyadh 11411	rbaltao@albawardi.com asamad@albawardi.com	Tel: 966-1 4484999 Fax: 966-3 4487877
	Al Bawardi Tools & Hardware P.O. Box 16905, Jeddah 21474	sharadi@albawardi.com fgaber@albawardi.com	Tel: 966-2 6444547 / 6439035 Tel: 966-2 6456095 Fax: 966-2 6439024