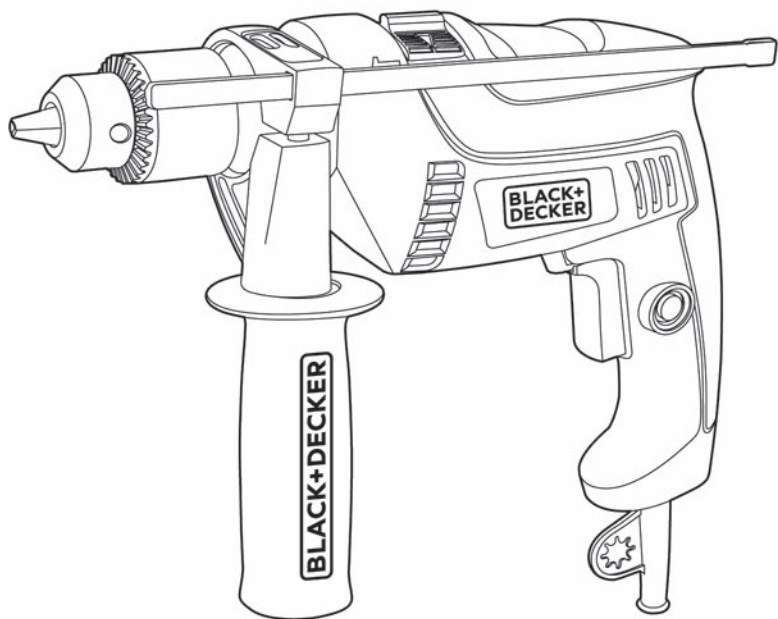


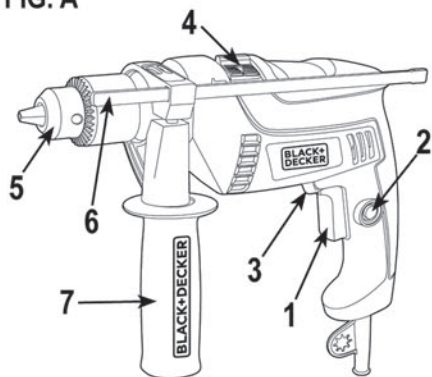
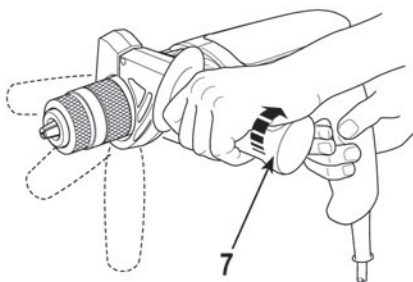
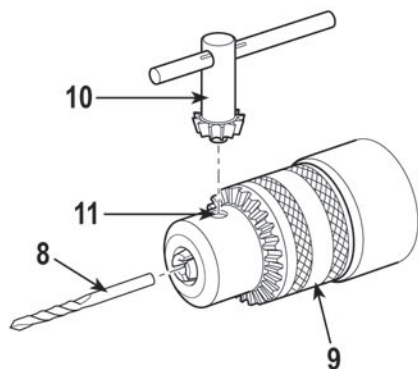
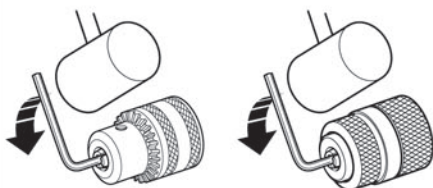
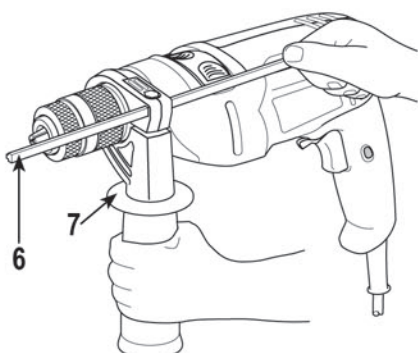
BLACK+ DECKER™

Hammer Drill



HD555
HD555K
HD565K

English 03

FIG. A**FIG. B****FIG. C****FIG. D****FIG. E****FIG. F**

► The illustrations are for representative purposes only, they can differ from actual product.

DO NOT RETURN THIS PRODUCT TO THE STORE,
first contact your local BLACK+DECKER office
or nearest authorized service center.

GENERAL SAFETY RULES

⚠ **Warning!** Read and understand all instructions. Failure to follow all instructions listed below, may result in electric shock, fire and/or serious personal injury.

SAVE THESE INSTRUCTIONS



SAFETY INSTRUCTIONS

General power tool safety warnings.

Warning! Read all safety warnings and all instructions. Failure to follow the warnings and instructions listed below may result in electric shock, fire and/or serious injury.

Save all warnings and instructions for future reference.

The term "power tool" in all of the warnings listed below refers to your mains operated (corded) power tool or battery operated (cordless) power tool.

1. **Work Area Safety**
 - a. **Keep work area clean and well lit.** Cluttered and dark areas invite accidents.
 - b. **Do not operate power tools in explosive atmospheres, such as in the presence of flammable liquids, gases or dust.** Power tools create sparks which may ignite the dust or fumes.
 - c. **Keep children and bystanders away while operating a power tool.** Distractions can cause you to lose control.
2. **Electrical Safety**
 - a. **Power tool plugs must match the outlet. Never modify the plug in any way. Do not use any adapter plugs with earthed (grounded) power tools.** Unmodified plugs and matching outlets will reduce risk of electric shock.
 - b. **Avoid body contact with earthed or grounded surfaces such as pipes, radiators, ranges and refrigerators.** There is an increased risk of electric shock if your body is earthed or grounded.
 - c. **Do not expose power tools to rain or wet conditions.** Water entering a power tool will increase the risk of electric shock.
 - d. **Do not abuse the cord. Never use the cord for carrying, pulling or unplugging the power tool. Keep cord away from heat, oil, sharp edges or moving parts.** Damaged or entangled cords increase the risk of electric shock.
 - e. **When operating a power tool outdoors, use an extension cord suitable for outdoor use.** Use of a cord suitable for outdoor use reduces the risk of electric shock.
- f. **If operating a power tool in a damp location is unavoidable, use a residual current device (RCD) protected supply.** Use of an RCD reduces the risk of electric shock. **Note:** The term "Residual Current Device (RCD)" can be replaced by "Ground Fault Circuit Interrupter (GFCI)" or by "Earth Leakage Circuit Breaker (ELCB)".
3. **Personal Safety**
 - a. **Stay alert, watch what you are doing and use common sense when operating a power tool. Do not use a power tool while you are tired or under the influence of drugs, alcohol or medication.** A moment of inattention while operating power tools may result in serious personal injury.
 - b. **Use personal protective equipment. Always wear eye protection.** Protective equipment such as dust mask, non-skid safety shoes, hard hat, or hearing protection used for appropriate conditions will reduce personal injuries.
 - c. **Prevent unintentional starting. Ensure the switch is in the off-position before connecting to power source and/or battery pack, picking up or carrying the tool.** Carrying power tools with your finger on the switch or energising power tools that have the switch on invites accidents.
 - d. **Remove any adjusting key or wrench before turning the power tool on.** A wrench or a key left attached to a rotating part of the power tool may result in personal injury.
 - e. **Do not overreach. Keep proper footing and balance at all times.** This enables better control of the power tool in unexpected situations.
 - f. **Dress properly. Do not wear loose clothing or jewellery. Keep your hair, clothing and gloves away from moving parts.** Loose clothes, jewellery or long hair can be caught in moving parts.
 - g. **If devices are provided for the connection of dust extraction and collection facilities, ensure these are connected and properly used.** Use of these devices can reduce dust related hazards.
4. **Power Tool Use and Care**
 - a. **Do not force the power tool. Use the correct power tool for your application.** The correct power tool will do the job better and safer at the rate for which it was designed.
 - b. **Do not use the power tool if the switch does not turn it on and off.** Any power tool that cannot be controlled with the switch is dangerous and must be repaired.
 - c. **Disconnect the plug from the power source and/or the battery pack from the power tool before**

4 • ENGLISH

- making** any adjustments, changing accessories, or storing power tools. Such preventive safety measures reduce the risk of starting the power tool accidentally.
- d. **Store idle power tools out of the reach of children and do not allow persons unfamiliar with the power tool or these instructions to operate the power tool.** Power tools are dangerous in the hands of untrained users.
- e. **Maintain power tools. Check for misalignment or binding of moving parts, breakage of parts and any other condition that may affect the power tools operation. If damaged, have the power tool repaired before use.** Many accidents are caused by poorly maintained power tools.
- f. **Keep cutting tools sharp and clean.** Properly maintained cutting tools with sharp cutting edges are less likely to bind and are easier to control.
5. **Service**
- a. **Have your power tool serviced by a qualified repair person using only identical replacement parts.** This will ensure that the safety of the power tool is maintained.

6. Electrical safety



Your tool is double insulated; therefore no earth wire is required. Always check that the main voltage corresponds to the voltage on the rating plate.



Warning! If the power cord is damaged, it must be replaced by the manufacturer, authorized BLACK+DECKER Service Center or an equally qualified person in order to avoid damage or injury. If the power cord is replaced by an equally qualified person, but not authorized by BLACK+DECKER, the warranty will not be valid.

7. Labels on tool

The label on your tool may include the following symbols:

	Read Instructions Manual	Hz Hertz		Class II Construction
	Use Eye Protection	W Watts		Earthing Terminal
	Use Ear Protection	min minutes		Safety Alert Symbol
		~ Alternating Current		
		— Direct Current	.../min..	Revolutions or Reciprocation per minute
V Volts				
A Amperes		n ₀ No-Load Speed		

FEATURES (Fig. A)

1. Variable speed switch
2. Lock-on button
3. Forward/reverse slider
4. Drilling mode selector
5. Chuck

6. Depth stop
7. Side handle

ADDITIONAL SAFETY INSTRUCTIONS FOR HAMMER DRILL

- ▶ **Wear ear protectors with impact drills.** Exposure to noise can cause hearing loss.
- ▶ **Use auxiliary handles supplied with the tool.** Loss of control can cause personal injury.
- ▶ **Hold power tool by insulated gripping surfaces when performing an operation where the cutting tool may contact hidden wiring or its own cord.** Contact with a "live" wire will also make exposed metal parts of the power tool "live" and shock the operator.
- ▶ **Use clamps or another practical way to secure and support the workpiece to a stable platform.** Holding the work by hand or against your body leaves it unstable and may lead to loss of control.
- ▶ Before drilling into walls, floors or ceilings check for the location of wiring and pipes.
- ▶ Avoid touching the tip of a drill bit just after drilling, as it may be hot

ASSSEMBLY

⚠ **Warning!** Before assembly, make sure that the tool is switched off and unplugged.

Fitting the side handle and depth stop (Fig. B)

Turn the grip counterclockwise until you can slide the side handle (7) onto the front of the tool as shown.

- ▶ Rotate the side handle into the desired position.
- ▶ Insert the depth stop (6) into the mounting hole as shown.
- ▶ Set the drilling depth as described below.
- ▶ Tighten the side handle by turning the grip clockwise.

Fitting a drill bit or screwdriver bit

Keyed chuck (Fig. C)

- ▶ Open the chuck by turning the sleeve (9) counterclockwise.
- ▶ Insert the bit shaft (8) into the chuck.
- ▶ Insert the chuck key (10) into each hole (11) in the side of the chuck and turn clockwise until tight.

Removing and refitting the chuck (Fig. D)

- ▶ Open the chuck as far as possible.
- ▶ Remove the chuck retaining screw, located in the chuck, by turning it clockwise using a screwdriver.
- ▶ Tighten an Allen key into the chuck and strike it with a hammer as shown.
- ▶ Remove the Allen key.
- ▶ Remove the chuck by turning it counterclockwise.
- ▶ To refit the chuck, screw it onto the spindle and secure it with the chuck retaining screw.

USE

⚠ **Warning!** Let the tool work at its own pace. Do not overload.

⚠ **Warning!** Before drilling into walls, floors or ceilings, check for the location of wiring and pipes.

Selecting the direction of rotation (Fig. E)

For drilling and for tightening screws, use forward (clockwise) rotation. For loosening screws or removing a jammed drill bit, use reverse (counterclockwise) rotation.

- ▶ To select forward rotation, push the forward/reverse slider (3) to the centre position.
- ▶ To select reverse rotation, push the forward/reverse slider to the left.

⚠ **Warning!** Never change the direction of rotation while the motor is running.

Selecting the drilling mode

- ▶ For drilling in masonry, set the drilling mode selector (3) to the **T** position.
- ▶ For drilling in other materials and for screwdriving, set the drilling mode selector to the **2** position.

Setting the drilling depth (Fig. F)

- ▶ Slacken the side handle (7) by turning the grip counterclockwise.
- ▶ Set the depth stop (6) to the desired position. The maximum drilling depth is equal to the distance between the tip of the drill bit and the front end of the depth stop.
- ▶ Tighten the side handle by turning the grip clockwise.

Switching on and off

- ▶ To switch the tool on, press the speed switch (1). For tools with variable speed switch, the tool speed depends on how far you press the switch. As a general rule, use low speeds for large diameter drill bits and high speeds for smaller diameter drill bits.
- ▶ For continuous operation, press the lock-on button (2) and release the speed switch. This option is available only at full speed. This option does not work in reverse rotation. Reverse rotation available only for HD500.
- ▶ To switch the tool off, release the speed switch. To switch the tool off when in continuous operation, press the speed switch once more and release it.

MAINTENANCE

Keep guards, air vents and the motor housing as clear as possible of dust and dirt. Wipe with a clean cloth and blow through with a low-pressure air supply. Excessive build-up of metal dust can cause tracking of electrical current from the internal parts to exposed metal parts.

⚠ **Important!** To assure product **SAFETY** and **RELIABILITY**, repairs, maintenance and adjustment (other than those listed in this manual) should be performed by authorized service centers or other qualified service personnel, always using identical replacement parts.

ACCESSORIES

Recommended accessories for use with your product are available from your local dealer or authorized service center.

PROTECTING THE ENVIRONMENT

Separate collection. This product must not be disposed of with normal household waste. Should you find one day that your BLACK+DECKER product needs replacement, or if it is of no further use to you, do not dispose of it with household waste. Make this product available for separate collection.



Separate collection of used products and packaging allows materials to be recycled and used again. Re-use of recycled materials helps prevent environmental pollution and reduces the demand for raw materials. Local regulations may provide for separate collection of electrical products from the household, at municipal waste sites or by the retailer when you purchase a new product.

SERVICE INFORMATION

BLACK+DECKER offers a full network of company-owned and authorized service locations throughout Asia. All BLACK+DECKER Service Centers are staffed with trained personnel to provide customers with efficient and reliable product service.

Whether you need technical advice, repair, or genuine factory replacement parts, contact the BLACK+DECKER location nearest to you.

NOTE

- ▶ BLACK+DECKER's policy is one of continuous improvement to our products and, as such, we reserve the right to change product specifications without prior notice.
- ▶ Standard equipment and accessories may vary by country.
- ▶ Product specifications may differ by country.
- ▶ Complete product range may not be available in all countries. Contact your local BLACK+DECKER dealers for range availability.

SPECIFICATIONS

Power	550W
Voltage	220-240V, 50/60Hz
No-load speed	0 - 2800/min (rpm)
Blows per minute	0 - 45000gpm (bpm)
Max drill capacity	
Steel	1/2" (13mm)
Concrete	1/2" (13mm)
Wood	25/32" (20mm)

HD555