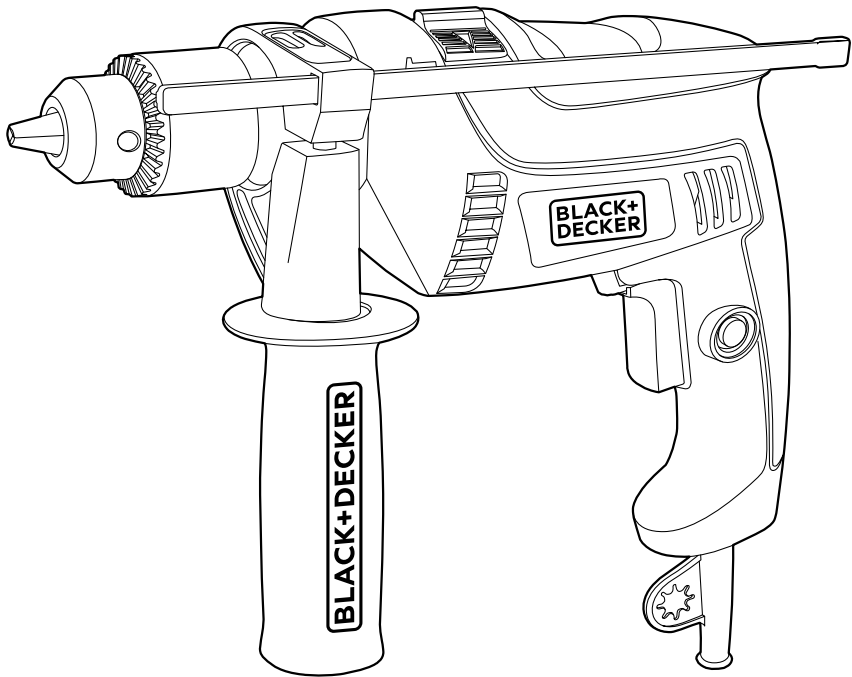


**BLACK+
DECKER**



www.blackanddecker.com

**HD555
HD565**

FIG. A

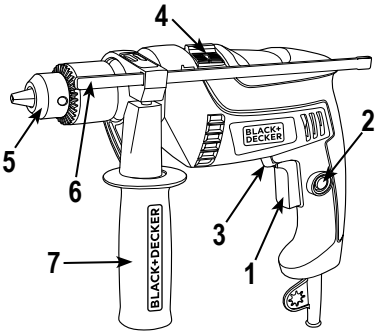


FIG. B

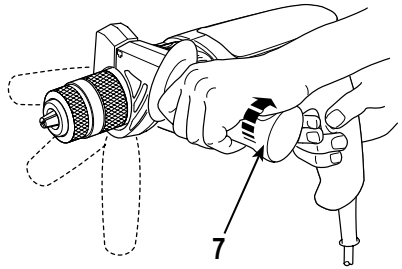


FIG. C

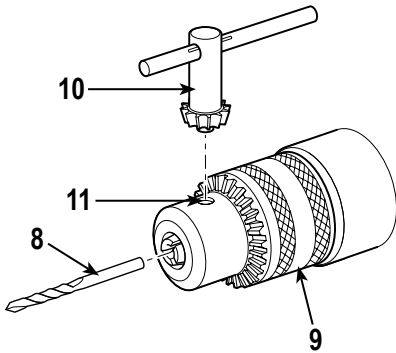


FIG. D

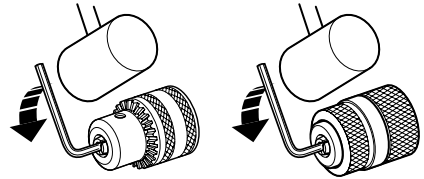


FIG. E

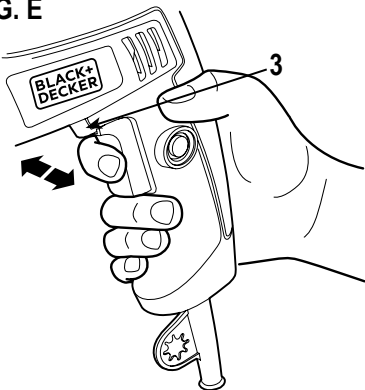
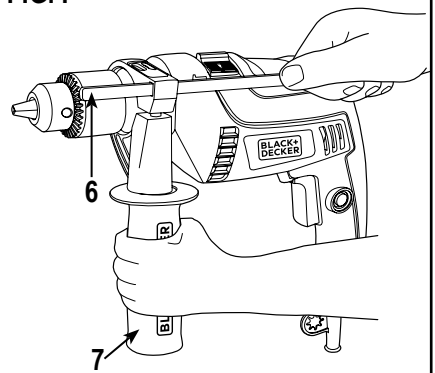


FIG. F



DO NOT RETURN THIS PRODUCT TO THE STORE, first contact your local BLACK+DECKER office or nearest authorized service center.

General safety rules

Warning! Read and understand all instructions. Failure to follow all instructions listed below, may result in electric shock, fire and/or serious personal injury.

Save these instructions

Safety instructions

General power tool safety warnings.



Warning! Read all safety warnings and all instructions. Failure to

follow the warnings and instructions listed below may result in electric shock, fire and/or serious injury.

Save all warnings and instructions for future reference. The term “power tool” in all of the warnings listed below refers to your mains operated (corded) power tool or battery operated (cordless) power tool.

1. Work area safety

- a. **Keep work area clean and well lit.**
Cluttered or dark areas invite accidents.
- b. **Do not operate power tools in explosive atmospheres, such as in the presence of flammable liquids, gases or dust.** Power tools create sparks which may ignite the dust or fumes.
- c. **Keep children and bystanders away while operating a power tool.**
Distractions can cause you to lose control.

2. Electrical safety

- a. **Power tool plugs must match the outlet. Never modify the plug in any way. Do not use any adapter plugs with earthed (grounded) power tools.** Unmodified plugs and matching outlets will reduce risk of electric shock.
- b. **Avoid body contact with earthed or grounded surfaces such as pipes, radiators, ranges and refrigerators.**
There is an increased risk of electric

shock if your body is earthed or grounded.

- c. **Do not expose power tools to rain or wet conditions.** Water entering a power tool will increase the risk of electric shock.
- d. **Do not abuse the cord. Never use the cord for carrying, pulling or unplugging the power tool. Keep cord away from heat, oil, sharp edges or moving parts.**
Damaged or entangled cords increase the risk of electric shock.
- e. **When operating a power tool outdoors, use an extension cord suitable for outdoor use.** Use of a cord suitable for outdoor use reduces the risk of electric shock.
- f. **If operating a power tool in a damp location is unavoidable, use a residual current device (RCD) protected supply.**
Use of an RCD reduces the risk of electric shock.

3. Personal safety

- a. **Stay alert, watch what you are doing and use common sense when operating a power tool. Do not use a power tool while you are tired or under the influence of drugs, alcohol or medication.** A moment of inattention while operating power tools may result in serious personal injury.
- b. **Use personal protective equipment. Always wear eye protection.** Protective equipment such as dust mask, non-skid safety shoes, hard hat, or hearing protection used for appropriate conditions will reduce personal injuries.
- c. **Prevent unintentional starting. Ensure the switch is in the off-position before connecting to power source and/or battery pack, picking up or carrying the tool.** Carrying power tools with your finger on the switch or energising power tools that have the switch on invites accidents.
- d. **Remove any adjusting key or wrench before turning the power tool on.** A wrench or a key left attached to a rotating part of the power tool may result in personal injury.

e. Do not overreach. Keep proper footing and balance at all times. This enables better control of the power tool in unexpected situations.

f. Dress properly. Do not wear loose clothing or jewellery. Keep your hair, clothing and gloves away from moving parts. Loose clothes, jewellery or long hair can be caught in moving parts.

g. If devices are provided for the connection of dust extraction and collection facilities, ensure these are connected and properly used. Use of dust collection can reduce dust-related hazards.

4. Power tool use and care

a. Do not force the power tool. Use the correct power tool for your application. The correct power tool will do the job better and safer at the rate for which it was designed.

b. Do not use the power tool if the switch does not turn it on and off. Any power tool that cannot be controlled with the switch is dangerous and must be repaired.

c. Disconnect the plug from the power source and/or the battery pack from the power tool before making any adjustments, changing accessories, or storing power tools. Such preventive safety measures reduce the risk of starting the power tool accidentally.

d. Store idle power tools out of the reach of children and do not allow persons unfamiliar with the power tool or these instructions to operate the power tool. Power tools are dangerous in the hands of untrained users.

e. Maintain power tools. Check for misalignment or binding of moving parts, breakage of parts and any other condition that may affect the power tools operation. If damaged, have the power tool repaired before use. Many accidents are caused by poorly maintained power tools.

f. Keep cutting tools sharp and clean. Properly maintained cutting tools with

sharp cutting edges are less likely to bind and are easier to control.

5. Service

a. Have your power tool serviced by a qualified repair person using only identical replacement parts. This will ensure that the safety of the power tool is maintained.

6. Electrical safety



Your tool is double insulated; therefore no earth wire is required. Always check that the main voltage corresponds to the voltage on the rating plate.



Warning! If the power cord is damaged, it must be replaced by the manufacturer, authorized BLACK+DECKER Service Center or an equally qualified person in order to avoid damage or injury. If the power cord is replaced by an equally qualified person, but not authorized by BLACK+DECKER, the warranty will not be valid.

7. Labels on tool

The label on your tool may include the following symbols along with the date code:

	Read Instructions Manual	Hz	Hertz		Class II Construction
	Use Eye Protection	W	Watts		Earthing Terminal
	Use Ear Protection	min	minutes		Safety Alert Symbol
			Revolutions or Reciprocation per minute
		
	V	Volts	n_0	No-Load Speed	
	A	Amperes			

Position of date barcode

The Date Code, which also includes the year of manufacture, is printed into the housing. Example:

2014 XX JN
Year of manufacturing

Features (Fig. A)

1. Variable speed switch

2. Lock-on button
3. Forward/reverse slider
4. Drilling mode selector
5. Chuck
6. Depth stop
7. Side handle

Additional safety instructions for hammer drill

- **Wear ear protectors with impact drills.** Exposure to noise can cause hearing loss.
- **Use auxiliary handles supplied with the tool.** Loss of control can cause personal injury.
- **Hold power tool by insulated gripping surfaces when performing an operation where the cutting tool may contact hidden wiring or its own cord.** Contact with a “live” wire will also make exposed metal parts of the power tool “live” and shock the operator.
- **Use clamps or another practical way to secure and support the workpiece to a stable platform.** Holding the work by hand or against your body leaves it unstable and may lead to loss of control.
- Before drilling into walls, floors or ceilings check for the location of wiring and pipes.
- Avoid touching the tip of a drill bit just after drilling, as it may be hot

Assembly

Warning! Before assembly, make sure that the tool is switched off and unplugged.

Fitting the side handle and depth stop (Fig. B)

Turn the grip counterclockwise until you can slide the side handle (7) onto the front of the tool as shown.

- Rotate the side handle into the desired position.
- Insert the depth stop (6) into the

mounting hole as shown.

- Set the drilling depth as described below.
- Tighten the side handle by turning the grip clockwise.

Fitting a drill bit or screwdriver bit Keyed chuck (Fig. C)

- Open the chuck by turning the sleeve (9) counterclockwise.
- Insert the bit shaft (8) into the chuck.
- Insert the chuck key (10) into each hole (11) in the side of the chuck and turn clockwise until tight.

Removing and refitting the chuck (Fig. D)

- Open the chuck as far as possible.
- Remove the chuck retaining screw, located in the chuck, by turning it clockwise using a screwdriver.
- Tighten an Allen key into the chuck and strike it with a hammer as shown.
- Remove the Allen key.
- Remove the chuck by turning it counterclockwise.
- To refit the chuck, screw it onto the spindle and secure it with the chuck retaining screw.

Use

Warning! Let the tool work at its own pace. Do not overload.

Warning! Before drilling into walls, floors or ceilings, check for the location of wiring and pipes.

Selecting the direction of rotation (Fig. E)

For drilling and for tightening screws, use forward (clockwise) rotation. For loosening screws or removing a jammed drill bit, use reverse (counterclockwise) rotation.

- To select forward rotation, push the forward/reverse slider (3) to the centre position.

- To select reverse rotation, push the forward/reverse slider to the left.

Warning! Never change the direction of rotation while the motor is running.

Selecting the drilling mode

- For drilling in masonry, set the drilling mode selector (3) to the **T** position.
- For drilling in other materials and for screwdriving, set the drilling mode selector to the **1** position.

Setting the drilling depth (Fig. F)

- Slacken the side handle (7) by turning the grip counterclockwise.
- Set the depth stop (6) to the desired position. The maximum drilling depth is equal to the distance between the tip of the drill bit and the front end of the depth stop.
- Tighten the side handle by turning the grip clockwise.

Switching on and off

- To switch the tool on, press the speed switch (1). For tools with variable speed switch, the tool speed depends on how far you press the switch. As a general rule, use low speeds for large diameter drill bits and high speeds for smaller diameter drill bits.
- For continuous operation, press the lock-on button (2) and release the speed switch. This option is available only at full speed. This option does not work in reverse rotation. Reverse rotation available only for HD500.
- To switch the tool off, release the speed switch. To switch the tool off when in continuous operation, press the speed switch once more and release it.

Maintenance

Keep guards, air vents and the motor housing as clear as possible of dust and dirt. Wipe with a clean cloth and blow through with a low-pressure air supply. Excessive build-up of metal dust can cause tracking of electrical current from the internal parts to

exposed metal parts.

Important! To assure product SAFETY and RELIABILITY, repairs, maintenance and adjustment (other than those listed in this manual) should be performed by authorized service centers or other qualified service personnel, always using identical replacement parts.

Protecting the environment



Separate collection. This product must not be disposed of with normal household waste.

Should you find one day that your BLACK+DECKER product needs replacement, or if it is of no further use to you, do not dispose of it with household waste. Make this product available for separate collection.



Separate collection of used products and packaging allows materials to be recycled and used again. Reuse of recycled materials helps prevent environmental pollution and reduces the demand for raw materials.

Local regulations may provide for separate collection of electrical products from the household, at municipal waste sites or by the retailer when you purchase a new product.

BLACK+DECKER provides a facility for the collection and recycling of BLACK+DECKER products once they have reached the end of their working life. To take advantage of this service please return your product to any authorised repair agent who will collect them on our behalf.

You can check the location of your nearest authorised repair agent by contacting your local BLACK+DECKER office at the address indicated in this manual. Alternatively, a list of authorised BLACK+DECKER repair agents and full details of our after-sales service and contacts are available on the Internet at: www.2helpU.com.

Accessories

Recommended accessories for use with your product are available from your local dealer or authorized service center.

Service information

BLACK+DECKER offers a full network of company-owned and authorized service locations. All BLACK+DECKER Service Centers are staffed with trained personnel to provide customers with efficient and reliable power tool service. For more information about our authorized service centers and if you need technical advice, repair, or genuine factory replacement parts, contact the BLACK+DECKER location nearest you, or visit us at www.blackanddecker.com

Specifications

	HD555	HD565
Power	550W	550W
Voltage	220-240 50-60Hz	220-240 50-60Hz
No-load speed	0 - 2800/min (rpm)	0 - 2800/min (rpm)
IPM - Blows per minute	0-45000 ipm	0-45000 ipm
Max. drill capacity		
Wood	20mm	20mm
Steel	13mm	13mm
Concrete	13mm	13mm

Warranty

BLACK+DECKER is confident of the quality of its products and offers an outstanding guarantee. This guarantee statement is in addition to and in no way prejudices your statutory rights.

If a BLACK+DECKER product becomes defective due to faulty materials, workmanship or lack of conformity, within 6 months from the date of purchase, BLACK+DECKER guarantees to replace defective parts, repair products subjected to fair wear and tear or replace such products to make sure of the minimum inconvenience to the customer unless:

- The product has been used for trade, professional or hire purposes.
- The product has been subjected to misuse or neglect.
- The product has sustained damage through foreign objects, substances or accidents.
- Repairs have been attempted by persons other than authorised repair agents or BLACK+DECKER service staff.

To claim on the guarantee, you will need to submit proof of purchase to the seller or an authorised repair agent. You can check the location of your nearest authorised repair agent by contacting your local BLACK+DECKER office at the address indicated in this manual. Alternatively, a list of authorised BLACK+DECKER repair agents and full details of our aftersales service and contacts are available on the Internet at: www.2helpU.com

Names & Addresses for BLACK + DECKER India Service Concessionaries

ANDHRA PRADESH: KAKINADA - LAKSHMI SIVARAM ENTERPRISES, #43-1-48, OPP: IDBI BANK, MAIN ROAD, KAKINADA. BRANCH:SARPAVARAM JUNCTION, BESIDE POLICE STATION KAKINADA, ANDHRA PRADESH, 533001, Tel: 9848317859, Email: lsr1.nani1980@gmail.com. RAJAMUNDRY - SRK POWER TOOLS CORPORATION, DOOR NO: 7-30-15 OPP:BATA SHOW ROOM, NEAR SANTHI, MAIN, ROAD RAJAHMUNDRY RAJAMUNDRY, 533101, Tel: 9966644555, Email: srk.powertools@gmail.com. TIRUPATI - MAHARAJA SPARES, NO. 42 NETHAJI ROAD TIRUPATI, 517501, Tel: 0877 2253426, Email: "ramsing.yrajurohit@gmail.com, ramsinghrp39@gmail.com". VISAKHAPATTANAM - S B ENTERPRISES, 28-16-14 , SURYABAGH VISAKHAPATANAM, ANDHRA PRADESH, 530020, Tel: 0891-2562208 / 2569917, Email: sbevsp@gmail.com. VISAKHAPATTANAM - SRI GANESH HARDWARE & ELECTRICALS, NO. 7-16-73 OLD GAJUWAKA JN VISAKHAPATANAM, ANDHRA PRADESH, 530026, Tel: 0891 515524, Email: sriganeshhardware1982@gmail.com. **ASSAM:** GUWAHATI - ARUN MACHINE AND TOOLS, A.T.ROAD NEAR RUPSHREE CINEMA, TOKOBARI GUWAHATI, ASSAM, 781001, Tel: 2591868, Email: arunmachinetools@rediffmail.com. GUWAHATI - BAGARIA TOOLS AND HARDWARE, NEAR HOTEL VISHWARATNA AT ROAD GUWAHATI, ASSAM, 781001, Tel: 2511173, Email: bagariatools@yahoo.com. GUWAHATI - VINAYAK TOOLS AND MACHINERY, A-1, MANGAL RAM TOWER OPPOSITE POLICE RESERVE, A.T.ROAD GUWAHATI, ASSAM, 781001, Tel: , Email: sarawgi_anil@yahoo.com. JORHAT - ASSAM MACHINE TOOLS, GAR-ALI, JORHAT GUWAHATI ASSAM, 785001, Tel: 2321607, Email: arunmachinetools@rediffmail.com. TEZPUR - SHYAM MACHINERY AND TOOLS, A.C. PLAZA, N.B.ROAD (NEAR ANANTA CINEMA) TEZPUR, ASSAM, 784001, Tel: 03712-230142, Email: dipeshagarwal8@gmail.com. **BIHAR:** GAYA - JAI AMBEY TRADERS, RAMNA ROAD, NEAR RAMA BHAVAN, P.S.-CIVIL LAIN, P.O.- GAYA , BIHAR, 823001, Tel: , Email: jatgaya@gmail.com. **CHATTISGARH:** RAIPUR - V. M. ENTERPRISES, MILLENNIUM PLAZA, FIRST FLOOR-31 BANSTAL G E ROAD RAIPUR, 492001, Tel: 0771-4280808, Email: vmenterprises9@gmail.com. **DELHI/NCR:** NOIDA - SHIVA MACHINERY TOOLS, C-100, SECTOR-9 NOIDA-UTTAR PRADESH, 201301, Tel: 0120-4356062, Email: shiva_machinery@yahoo.co.in. DELHI - JMR TECHSERV INDIA, M-7 1st FLOOR GURU RAM DASS BHAWAN COMMUNITY CENTRE RANJIT NAGAR NEW DELHI, 110041, Tel: 011-45669290, Email: jmrtechserv@gmail.com. FARIDABAD - MAHALAKSHMI TRADING CORPORATION, Plot no 40/66B, Industrial area, (near Raj gas agency) Near Hardware chowk, FARIDABAD, 121001, Tel: 0129-4023814, Email: khatri_vinod@hotmail.com. GURGAON - M/S SHRI GANPATI TRADERS, Plot No:377/24,Model Town (4Marla) Near Gurudwara, Gurgaon-122001 GURGAON, 122001, Tel: 0124 2320088, Email: vibhu@shreeganpatitraders.com. **GOA:** PANJIM - MECH-TECH ENGINEERING SYSTEMS, G-2, EMERALD TOWERS, M.G. ROAD OPP STATE BANK ZONAL OFFICE, PANJI, GOA, 403001, Tel: 0832-2223601, Email: arya_gc@rediffmail.com. PANJIM - S.K .TRADING, SHOP NO 4 ESTEEVE APARTMENT NEAR ALUA HOTEL, MERCES PANJIM, 403005, Tel: , Email: sktradinggoa@gmail.com. VASCO-DA-GAMA - S.S.HITECH ENGINEERS, SHOP NO-2, LAXJOT APPTS NEAR KTC BUS STAND VASCO-DA GAMA, GOA, 403802, Tel: 0832-2515582, Email: s_sshe@rediffmail.com. **GUJARAT:** AHMEDABAD - RUSHABH TRADERS, MIRA CHEMBER, OPP.SYNDICATE BANK KADIA KUI, RELIEF ROAD AHMEDABAD, 380001, Tel: 079 22180265, Email: rushabhavm@yahoo.in. AHMEDABAD - SHIVAM SALES & SERVICE, Shop No.7,G/F,Mira Mangal Appt.,Opp.Uday Tenamemnt,Times Of India Road,Satellite,Ahmedabad, 380051, Tel: 079-69501111, Email: shivam.dewalt@gmail.com. AHMEDABAD - SHREE MARUTI TOOLS, B/5,NEW SHIVKRIPA APARTMENT OPP, AGIYARAS MATA MANDIR, NAVA AHMEDABAD, GUJARAT, 380013, Tel: 079-7643580/7..., Email: shreemarutitools@gmail.com. AHMEDABAD - SHYAM TRADING, 34, GREEN VILLA NR. H.B. KAPADIA SCHOOL, GURUKUL ROAD, MEMNAGAR, AHMEDABAD, GUJARATH, 380052, Tel: 079 66522025, Email: bosch_shyam@yahoo.com. ANKELESHWAR - CHINTAN ELECTRICALS, PLOT NO-1006,GIDC ESTATE, ANKELESHWAR,DIST-BHARUCH ANKELESHWAR,DIST-BHARUCH, 393002, Tel: 02646-251524, Email: chintanele@yahoo.com. RAJKOT - JAY ENTERPRISE, Dhebar Road, Near Ashok Guest House, RAJKOT, 360001, Tel: 0281 – 2236235, Email: viralmehta.01@gmail.com. SURAT - NATIONAL POWER TOOLS (SURAT), HG41-42, RUSHABH TOWERS, Near Jain Temple, Adajan Patia Rander Road, Surat, 395009, Tel: 0261-2788227, Email: npt_surat@yahoo.co.in. SURAT - SOHAM REPAIRING CENTER, 11,RAMESHWAR SOCIETY, BESIDE RUDRAKSH RESIDENCE,KAPODRA CROSSING, VARUCHA ROAD SURAT, 395006, Tel: , Email: sohamtools@yahoo.in. SURAT - VIKRAM ENGINEERS, M.G.ROAD , NO-4 , SANGHAVI HOUSE UDYOGNAGAR UDHANA, 394210, Tel: 0261-2274025, Email: sujata1290@gmail.com. VADODARA - HARIOM ENTERPRISE, Laheripura New Road Opposite Sai Baba temple VADODARA, GUJARAT, 390001, Tel: 0265-6543678, Email: patel_rajesh67@yahoo.com. VAPI - BRIGHT MACHINE TOOLS, A-1 Plot no 126,Opp Hotel way wait bhadakmora silvasa road, vapi, 396195, Tel: 0260-2450808, Email: brightvapi@ymail.com. BARDOLI - VDN ENTERPRISE PVT LTD, 201, 1ST FLOOR, M.G ROAD DARSHAN APARTMENT, BARDOLI, 394601, Tel: 0262 - 2226507, Email: vdnptvtd@gmail.com. AHMEDABAD - GITANJALI TRADERS, LAXMI NAGAR CORNER OPP;GANGOTRI HOTEL, NH NO 8 NARODA,AHMEDABAD,GUJARAT, 382330, Tel: 079-22801346, Email: info@gitanjalitraders.com. SILVASSA - INDIA TOOLS CENTRE, NO.8,Silver Point, OPP: TO ICICI BANK, Silvassa - Vapi Main Road SILVASSA, 396230, Tel: 2602423518, Email: indiabrgntools@yahoo.com. AHMEDABAD - SHREE GANESH SALES &SERVICE, E/21, MIRA MANGAL APARTMENTS OPP: UDAY,SOC TIMES OF INDIA ROAD,VEJALPUR , SATELLITE, AHMEDABAD, 380051, Tel: 079 - 40320976, Email: ganeshservice2bosch@gmail.com.

HARYANA: BHIWADI - HARYANA AGENCIES, NEAR ALLAHABAD BANK NH-8 , DELHI-JAIPUR HIGHWAY, BANIPUR CHOWK BAWAL(REWARI)HARYANA, 123501, Tel: 01493-226319, Email: haryana.agency@gmail.com. **HIMACHAL PRADESH:** BADDI - CHANDAN INDUSTRIES, B.O. OPP. 4 SEASON HOTEL, PINJORE ROAD, NEAR BUS STAND BADDI, HIMACHAL PRADESH, 177701, Tel: 94180-01785, Email: dewaltbaddi@gmail.com. **JAMMU AND KASHMIR:** JAMMU - BHAGWATI SALES CORPORATION, MAIN ROAD, LAST MORTH GANDHI NAGAR , JAMMU, 180001, Tel: 0191-2452718, Email: pranav272@gmail.com . **DHANBAD - SIGMA ENTERPRISES, SARAIHELIA MAIN ROAD NEAR AJAY TALKIES DHANBAD, BIHAR, 828127, Tel: 206253, Email: sigmaenterprises66@yahoo.com. **JHARKHAND:** JAMSHEDPUR - INDUSTRIAL TOOLS & EQUIPMENTS, S ' TYPE CHAWK , MAIN ROAD ADITYAPUR, JAMSHEDPUR WEST BENGAL, 831013, Tel: 0657-2383282, Email: udaybavdekar@yahoo.com. JAMSHEDPUR - MANGILALL RUNGTA, P.O.JUGSALAI JAMSHEDPUR, JHARKHAND JAMSHEDPUR, 831006, Tel: 0657-423738, Email: mlrngtas@rediffmail.com. RANCHI - INDUSTRIAL TOOLS AGENCY, DR. FATAULLAH ROAD RANCHI JHARKHAND, 834001, Tel: 0651-2206712, Email: industrialtoolsagency123@gmail.com**

KARNATAKA: BANGALORE - HINDUSTAN TOOLS, Shop No.40/3, Dr. Ismail complex,S.P.Road, Bangalore, 560002, Tel: 080-41513796, Email: hindustantoolsraghu@gmail.com. BANGALORE - MINI SALES AND TOOLS SERVICE, NO 12,1ST FLOOR,R.K.BUILDING 1ST CROSS, N.R.ROAD BANGALORE, KARNATAKA, 560002, Tel: 26702375, Email: mini_tools@yahoo.co.in. BANGALORE - NEW BANGALORE POWER TOOLS, NO-637/4,FIRST FLOOR, MUNIYAPPA COMPLEX, OPP.I.B.P.PETROL BUNK, JALAHALLI CROSS BANGALORE, KARNATAKA, 560057, Tel: 25900650, Email: nbpt.blr@gmail.com. BANGALORE - PATEL TRADING CORPORATION, 1ST FLOOR, NO. 57/3 SARDAR PATRAPPA ROAD BANGALORE, KARNATAKA, 560026, Tel: 8026754572, Email: ptcyrolit@gmail.com. BANGALORE - VISHAL ENTERPRISES, I FLOOR, NO.5 MANDI VEERAPPA LANE S.J.P. ROAD CROSS BANGALORE, KARNATAKA, 560002, Tel: 080-40903826, Email: vish3777@gmail.com. BELGAUM - VIKRANT SALES CORPORATION, KHANAPUR ROAD UDYAMBAG BELGAUM, KARNATAKA, 590008, Tel: 0831-2441256, Email: vikrantsalescorpn@gmail.com. BHATKAL - CITY TOOLS CENTER, ISMAIL COMPLEX, N H-17 MAIN ROAD BHATKAL, KARNATAKA, 581320, Tel: 227613, Email: citytoolsbhatkal@gmail.com. BIJAPUR - SAGAR ELECTRICALS, SHOP NO. 55 CMC COMPLEX BAGALKOT CROSS BIJAPUR, KARNATAKA, 586101, Tel: 08352-22637. HUBLI - A B AGENCIES, RAZAK BUILDING, KOPPIKAR ROAD KOPPIKAR ROAD, HUBLI KARNATAKA, 580020, Tel: 0836-2366812, Email: axaybs@gmail.com. MANGALORE - LAKSHMI SALES CORPORATION, LAKSHMI TOWERS, MAIN ROAD,KULAI, , MANGLORE MANGALORE, 574196, Tel: 0824-2407836, Email: lakshmicryo@gmail.com. **KERALA:** CALICUT - TOOL TECH INC, DOOR NO. 16/931 & 932B ARADHANA TOURIST HOME, KALLAI ROAD, CALICUT, 673002, Tel: 0495-4025065, Email: inc.tooltech@gmail.com. KOCHI - POWERTOOL ENTERPRISES, 44/2133E, FREEDOM ROAD KALOOR KOCHI, KERALA, 682017, Tel: 0484-4047593, Email: ptecochin@yahoo.co.in. KOCHI - TOOL WORLD, 44/2708C KARUKAPPILLY DESHABHIMANI ROAD KOCHI,KERALA, 682017, Tel: 0484-3295546/2409745, Email: toolworld.world068@gmail.com. KOCHI - VINDIA ENTERPRISES, 39/3686, MAVUPURAM ROAD ERNAKULAM, KOCHI, KERALA, 682016, Tel: 0484-2356924, Email: vindiano1tool@yahoo.com. MALLAPURAM - KOLAR MILL STORES PVT. LTD., 18/1819 KOLAR BUILDINGS OPP POLICE STATION, UP HILL P.O MALLAPURAM, 676505, Tel: 0483-2730603, Email: mail@kolaronline.com. THRISSUR - TOOL MEC, XII/689/27, MARS COMPLEX POOTHOLE ROAD THRISSUR, KERALA, 680004, Tel: 0487-2389739, Email: jayadev58@gmail.com. TRIVANDRUM - VIZHINJAM POWER TOOLS, SARHAN BUILDING, ARYASALAI TRIVANDRUM, 695036, Tel: 0471-6050001, Email: vizhinjampowertools@gmail.com. KOTHAMANGALAM - JAMSAS TRADELINKS PRIVATE LTD, IX/529 D,FORSQUARE, THRIKKARIYOOR, NELLIKUZHI ROAD, ERNAKULAM DISTRIC, KOTHAMANGALAM, 686692, Tel: 0485-2828520, Email: jamsastradelinks@gmail.com. **MADHYA PRADESH:** BHOPAL - BHOPAL TOOLS, 64, HAMIDIA ROAD, BHOPAL- MADHYA PRADESH, 462001, Tel: 0755-2736173, Email: bhopaltools@gmail.com. INDORE - PIONEER INTERNATIONAL, 223, SHASTRI MARKET, 2ND FLOOR , INDORE - MADHYA PRADESH, 452007, Tel: 0731-2538007, Email: pioneerindore221@gmail.com. INDORE - RELIABLE POWER TOOLS, 12, JAWAHAR MARG,SHOP NO 9 ,1st FLOOR, SHALIMAR PLAZA, INDORE- MADHYA PRADESH, 452007, Tel: 0731-2366352, Email: reliablepowertools@gmail.com. INDORE - BALAJI ENTERPRISES, 118, SIYAGANJ MAIN ROAD, INDORE- MADHYA PRADESH, 452001, Tel: 0731-2549374, Email: rbalajient@rediffmail.com. AHMEDNAGAR - DATTA ENTERPRISES, N-16, NIMBALAK ROAD MIDC INDUSTRIAL AREA AHMEDNAGAR, MAHARASHTRA, 414111, Tel: 0241-6611130 / 6611131, Email: datta1@rediffmail.com. **MAHARASHTRA:** AKOLA - R B MACHINERY, MALIPURA CHOWK AKOLA MAHARASHTRA, 444001, Tel: 0724-2424354, Email: vijaybaniya@yahoo.co.in. ANDHERI (E) MUMBAI - UNIQUE AGENCIES, MAROL MAROSHI ROAD, , MAROL, MUMBAI MUMBAI MUMBAI, 400059, Tel: 022-29257512, Email: uniqueage@ymail.com. AURANGABAD - ANIKET ENTERPRISES, X-324, NEAR HDFC BANK MAHARANA PRATAP CHOWK, BALAJI NAGAR MIDC, AURANGABAD, 431005, Tel: 0240-2563312, Email: aniketent1408@gmail.com. AURANGABAD - PADMAVATI ELECTRICALS, OPP. RAMANAND COLONY KRANTI CHOWK AURANGABAD, 431005, Tel: 0240 - 2323033, Email: padmavati.electricals@rediffmail.com. AURANGABAD - SHACO SALES & SERVICES-AURANGABAD, Shop No. 9 , Awargaonkar Complex , Below Hotel Ramgiri Jalna Road , Cidco , Aurangabad, 431005, Tel: 0240-6542111, Email: aurangabad@shacosales.com.

BOISAR - YASH VINAYAK ELECTRICAL, shop no 17, F-1 , Stayam Apt. Near- Ostwal English Academy School, Ostwal Empire BOISAR, MAHARASHTRA, 401501, Tel: , Email: yashvinayakelectrical@gmail.com. BULDHANA - J B MACHINERY & TOOLS, NEAR ST JOSEPH SCHOOL BOTHA ROAD BULDHANA, 443001, Tel: 07262-46159, Email: ajay.sharma1711@gmail.com. CHAKAN - SADGURU POWER TOOLS AND ELECTRICAL, KOHINOOR CENTRE SHIVAJI CHOWK CHAKAN, PUNE, 410501, Tel: 02135-645361, Email: sadgurutools@rediffmail.com. DHULE - MISTRY ENTERPRISES, NEAR PRAKASH TALKIES PAROLA ROAD DHULE, MAHARASHTRA, 424003, Tel: 02562-234429, Email: mistryenterprises234429@gmail.com. ICHALKARANJI - SAPANA ENTERPRISES, 23/151, PANCHGANGA FACTORY TO SHAHPUR ROAD, NEAR KOTHARI SIZING, P O - GANGAN ICHALKARANJI, MAHARASHTRA, 416116, Tel: 0230-2440592, Email: sapana.enterprises@rediffmail.com. JALANA - S.P. SHAH & SONS, MUTTA BUILDING NEAR NATRAJ CINEMA JALANA, MAHARASHTRA, 431203, Tel: -, Email: spshahjalna234827@yahoo.in. JALGAON - KAURENU INDUSTRIAL ENTERPRISES, NO. 5, LAXMI TOWER NERI NAKA, JALGAON MAHARASHTRA, 425001, Tel: 0257-2227384, Email: kaurenutools@gmail.com. JALGAON - SHRI GAJANAN ELECTRICALS & MACHINER, 327-A , MAIN GATE , BASEMENT NEW B.J.MARKET, JALGAON MAHARASHTRA, 425001, Tel: 0257-222 4198, Email: pawandandge117@gmail.com. KHAR (W) MUMBAI - MAHAVIR ELECTRICALS, SHOP NO 8, Inside B.M.C Market Khar (W), MUMBAI, 400052, Tel: 022-26462082, Email: kamleshbhati1974@yahoo.com. KOLHAPUR - SUSHITO ENTERPRISES, B,UNDER GROUND - 1 PRABHAKAR PLAZA, STATION ROAD KOLHAPUR, MAHARASHTRA, 416001, Tel: 0231-2667433, Email: sushito2667433@yahoo.co.in. KOLHAPUR - YASH ENTERPRISES, 1446 B/C, EMPIRE TOWER, SHOP NO.16-B DASARA CHOWK, LAXMIPURI KOLHAPUR, MAHARASHTRA, 416002, Tel: 0231-2644811, Email: yashenterprises10@gmail.com. LATUR - S D TRADERS, JAMDADE BUILDING BEHIND OLD POWER HOUSE LATUR, MAHARASHTRA, 413512, Tel: 02382-252127, Email: shailsun@yahoo.com. LONAVALA - SUPER AGENCIES, G' WARD , SHOP NO - 6 GURUNANAK CO-OPP HSG SOCIETY LONAWALA, MAHARASHTRA, 410401, Tel: 02114-273279, Email: rajivsuper@gmail.com. MUMBAI - MANOHER ELECTRIC STORES, 10,Roshni Building,S.V.Road Oshiwara,Jogeshwari(West) MUMBAI, MAHARASHTRA, 400102, Tel: 022-26784783, Email: manoharmachinetools@gmail.com. MUMBAI - RAJ MACHINE TOOLS, II ND FLOOR 71/73, NAGDEVI STREET MUMBAI, MAHARASHTRA, 400003, Tel: 022-65213643/2035, Email: rajtools@yahoo.co.in. MUMBAI - S. A. TRADERS, 76 , NAGDEVI CROSS LANE , SHOP NO 3. MUMBAI, MAHARASHTRA, 400003, Tel: 022 - 23400988, Email: tkglobalstar@gmail.com. MUMBAI - SHREE SIDHIVINYAK MACHINE TOOLS, Shop No 1 ,Vishwa Mohini Building Opp Kamla Nehru Shopping Centre N.S Road , Mulund, 400080, Tel: 022-25612255, Email: jaಿಂದilip525@gmail.com. NAGPUR - RATHI ENGINEERING COMPANY, 31 A, RADKE LAYOUT OPP- SAINT XAVIERS HIGH SCHOOL NAGPUR, MAHARASHTRA, 440016, Tel: 07104-232221, Email: kjrathi_rec@yahoo.com. NAGPUR - UNION HARDWARE STORES, CENTRAL AVENUE DARODKAR CHOWK, NEAR ITWARI HIGH SCHOOL NAGPUR, 440002, Tel: 2769620, 2777729, Email: unionhardwarenz@gmail.com. NASIK - ESSEL ENGINEERS, NO. 6/7, KHETWANI D NEAR DONDE BRIDGE, UNTWADI, CIDCO NASHIK, MAHARASHTRA, 422009, Tel: -, Email: avinashkale32@yahoo.in. NASIK - MESON TRADERS, NO. 994, MAIN ROAD NASHIK NASHIK (M.S.), 422001, Tel: 0253 2507862, Email: meson_ambad@yahoo.in. NASIK - VIDAD ENGINEERING & ELECTRICALS, MAHADEV NAGAR CORNER NEAR SATPUR BUS STOP, SATPUR - TRIMBAK ROAD SATPUR NASIK, 422007, Tel: 0253 2363567, Email: vidadengg@yahoo.com. NAVI MUMBAI - FINE ELECTRICAL WORKS, SHOP NO -3 ,JANTA MARKET PLOT NO 3 & 4 ,SEC-23 , NR SADGURU HOTEL,TURBHE ,NAVI MUMBAI NAVI MUMBAI, 400705, Tel: 022-27839587, Email: fine.electricalworks@yahoo.in. NAVI MUMBAI - NEW BOMBAY (HARDWARE) TRADERS PVT., PLOT NO 107, SECTOR-23 TURBHE SERVICE INDUSTRIES, NEAR JANTA MARKET VASHI, NAVI MUMBAI, 400705, Tel: 022-67973977 / 27835529, Email: nbht@nbhtpl.com. OSMANABAD - SHREE AMBICA MACHINE TOOLS, SHOP NO 26 SHIVAJI CHOWK OSMANABAD, MAHARASHTRA, 413501, Tel: 0242-227281, Email: ashoksapkai75@gmail.com. PUNE - EVEREST ENTERPRISES, SUKHWANI NEST SHOP NO. 7, VIDHYAM NAGAR PIMPRI, PUNE, 411018, Tel: 27433522, Email: everest_entp@yahoo.co.in. PUNE - FAITH MACHINERY STORES, TIP TOP BLDG , SHOP NO-6&7 , 550B , NANAPETH , NEAR CHACHA HALWAI CHOWK , LAXMI ROAD , PUNE., 411002, Tel: 020-26137868 / 27433169, Email: faithpurchase2010@gmail.com. PUNE - K Z TRADING CO, Shop no 2 , padamjee palace, Bhawani Peth PUNE, 411042, Tel: 020 32927052, Email: mustafa_reshamwalla@yahoo.com. PUNE - MAX CORPORATION, NO. 95, GANESH PETH, LAXMI ROAD DULYA MARUTI CHOWK PUNE, 411002, Tel: 020-26344945 / 26344946 / 26341647, Email: maxcorpni@yahoo.com. PUNE - RAM ELECTRICALS, SHAGUN CHOWK PIMPRI PUNE, 411017, PUNE - SOLANKI ENTERPRISES, NO. 288/B, RASTA PETH OPP M.S.E.B NEAR SAI MOTORS, PUNE, 411011, Tel: 020 26120268, Email: solankienterprisespune@gmail.com. PUNE - SUPERWELD SOURCES PVT LTD, Near Century Enka MIDC Bhosari PUNE, 411026, Tel: 020-30681560, Email: supertraderspune@gmail.com. PUNE - TECHNO TOOLS, 1 & 2, P.J. CHAMBERS NEAR AMBEDKAR STATUE PIMPRI, PUNE, 411018, Tel: 020 30683334/5/6/7/8, Email: technodewalt@yahoo.com/techno.tools@yahoo.com. PUNE - TOOL MAX, "MAULI" 738, BUDHWAR PETH GANESH ROAD, NR. PHADKE HOUD PUNE, 411002, Tel: 020 64007995, Email: sales@toolmax.in. SANGLI - ARC POWER TOOLS & EQUIPMENTS, Atharv Sankul , Basement , Near Hotel New Ratna , Kupwad Patha , Vishrambag , Sangli, 416436, Tel: 0233-2670443, Email: madhav@arcpowertools.com / mohar@arcpowertools.com. SANGLI - SHREE SALES AND SERVICES, PLOT NO. P-90 CHAKAN OIL MILL ROAD, M.I.D.C . SANGLI, 416436, Tel: 0233-2645005 / 2645437, Email: vinodlathe1@yahoo.com.

SATARA - M P ENGINEERS, SHOP NO -7 , JIWHALA HOUSING SOCIETY NEAR BOMBAY RESTAURANT, OLD M.I.D.C SATARA, 415001, Tel: 02162 - 247341, Email: mpengineersatara@gmail.com. SATARA - NEW MAHARASHTRA TRADERS, NO. 184 B1/C, RAVIWAR PETH POWAI NAKA SATARA, MAHARASHTRA, 415002, Tel: 02162-235605, Email: newmaharashtratradrs.pt@gmail.com. SOLAPUR - MADAN .J. DALVI, GALA NO -7 .L.V.COMPLEX RAMLAL CHOWK, RAILWAY LINE SOLAPUR, MAHARASHTRA, 413001, Tel: 0217-2727051, Email: dalvi.prem@gmail.com . SOLAPUR - SIDDHRATNA SALES & SERVICES, NO. 64 JODHBHAVI PETH SOLAPUR, 413002, Tel: 0217 2729911, Email: siddhratna.sales@rediffmail.com. SOLAPUR - SUNEEL TEXTILE ENGINEERING INDUSTRI, PLOT NO. 65, NAGANE NAGAR BEHIND MAHAVIR TEA COMPANY,KONDH-413004 KONDH, SOLAPUR, 413007, Tel: 0217-2622500, Email: sgpendesol@bsnl.in .THANE - SUPER SALES & SERVICES, MONALISA BLDG., SHOP NO.5, HARINIWAS CIRCLE, , THANE, 400602, Tel: 022 - 25386845, Email: contact@supersaleservice.com . PUNE - ABRA SALES, T-96/1 BHOSARI PIMPRI ROAD, M.I.D.C BHOSARI, PUNE , MAHARASHTRA, 411026, Tel: 020-66300599, Email: rssbhosari@gmail.com. MUMBAI - UNIQUE ENGINEERS, OFFICE NO.3,183 MUTTON STREET, NULL BAZAR, MUMBAI, 400003, Tel: 022-23475221, Email: murtaza@uniqueengineers.com. **ORISSA:** BHUBANESWAR - UTKAL POWER TOOLS &SALES, SHOP NO 121,ANAND PLAZA LAKSHMI SAGAR SQUARE BHUBANESHWAR, 751006, Tel: 0674-2571079, Email: utkalpowertoolssales2012@gmail.com. ROURKELA - SUBHAM ENTERPRISES, NO. 41 , TARINGINI MARKET ROURKELA ORISSA, 769004, Tel: 0661-440 1443, Email: subhamenterprises42@gmail.com.CUTTACK - M/S ADITYA TRADE &CO, APARNA NAGAR, PO CHAULIAGANJ, NEAR SITADEVI JOGLEKAR SCHOOL CUTTACK CUTTACK, 753004, Email: aditya.dewalt@gmail.com.CUTTACK - HINDUSTAN TRADERS-ORISSA, Bhadrakvati Road, Sanjay Cafe Building ,Cuttack, Email: abhindustantraders879@gmail.com. BHUBANESWAR - SUPREME TOOLS CENTRE,CUTTACK ROAD, KALPANA AREA,APEX MARKET COMPLEX, 751006, Tel: 6742311368, Email: supreme.tools.centre@gmail.com. **PUNJAB:** CHANDIGARH - D.P.JAGAN & SONS, SCO 46-47, SEC.NO-28-C CHANDIGARH, HARYANA, 160002, Tel: 0172-5072717, Email: dpjagan@yahoo.in.JALANDHAR - FAIRDEAL AGENCIES, NEHRU GARDEN ROAD NEAR AJIT PRESS JALANDHAR, 144001, Tel: 0181-5030304, Email: sg@fairdealagencies.co.in. LUDHIANA - ARNEJA MACHINERY STORE, GILL ROAD LUDHIANA PUNJAB, 141003, Tel: 0161-2537923, Email: arneja375@yahoo.in. PANCHKULA - VIKAS WELD, PLOT NO-257 ,INDUSTRIAL AREA, PHASE - I , PANCHKULA HARYANA, 134113, Tel: 0172-2576437, Email: vikasgasesvg@yahoo.co.in. PHAGWARA - MOHINDRA BROS. OIL CO., DANA MANDI, PHAGWARA PHAGWARA PHAGWARA, 144401, Tel: 01824 269082, Email: anant.raman@yahoo.com. CHANDIGARH - J.V. MILL AND HARDWARE STORES, 418-A , INDUSTRIAL AREA PHASE II RAM DARBAR , CHANDIGARH, 160002, Tel: 0172-2640658, Email: jvm418@rediffmail.com. **RAJASTHAN:** AJMER - S. S. AUTO AGENCIES, 4, KHAILAND MARKET, AJMER AJMER, 305001, Tel: 1452424120, Email: ssauto07@gmail.com. ALWAR - HARYANA IRON TRADERS, RAM GANJ, ALWAR ALWAR, 301001, Tel: 0144-2700205, Email: haryanairon.alwar@gmail.com. JAIPUR - ATUL ENTERPRISES, NEAR SIKAR HOTEL HANS MARG, S.C.ROAD JAIPUR, RAJASTHAN, 302001, Tel: 0141-2360327, Email: atuldhurka@gmail.com. JODHPUR - BHATI HARDWARE HOUSE, OPP-HANWANT SCHOOL PAL ROAD, JODHPUR (RAJ) JODHPUR-342003, 342003, Tel: 0291-2770506 / 0291-2770337, Email: bhathardware_house@yahoo.com. JODHPUR - SEJAL POWER TOOLS, 1ST PAL PULIYA NEAR GOVT SCHOOL MAIN PAL ROAD VILLAGE PAL JODHPUR, 342001, Tel: 0823-3994001, Email: sejalpawertools285@gmail.com. JODHPUR - USHA TRADING COMPANY, INSIDE SOJATI GATE, JODHPUR JODHPUR, 342001, Tel: 2642023, Email: naveenut2011@gmail.com.SIKANDARA - JAGDAMBA ENTERPRISES, NEAR THANDI PAU KI THADI, Agra Road, Sikandra Chouraya SIKANDARA, 303303, Tel: , Email: jagdambaent06@yahoo.com. UDAIPUR - M.P.TRADERS, 40,NEW KESHAV NAGAR ROOPSAGAR ROAD UDAIPUR, 313001, Tel: , Email: mptraders.2010@rediffmail.com. UDAIPUR - RAJASTHAN TOOLS(PROP.DIESELS INDIA), 1, KASTURBA MARKET TOWN HALL ROAD, UDAIPUR, 313001, Tel: 0294-2419260, Email: rajasthanools@murdiagroup.com. **TAMIL NADU:** CHENNAI - CHENNAI POWER TOOLS AND ELECTRICALS, NO-648 , 1st Floor, MTH Road MANNURPET PADI CHENNAI, 600050, Tel: 044-26251663, Email: chennaipowertools@yahoo.com. CHENNAI - K.S.ENGINEERING EQUIPMENTS, 16, TRUNK ROAD, POONAMALLEE CHENNAI, 600056, Tel: 044 - 26492223, Email: k.s.engineeringequipments@gmail.com.CHENNAI - M/s.ROYAL TOOLS AGENCIES, Old.No.11, New.No.21, Errabalu Street, Chennai CHENNAI, 600001, Tel: 044 - 25212150,044 - 25212160": royaltoolsagencies@gmail.com.service@royaltools.in. CHENNAI - PROFESSIONAL POWER TOOLS SALES &SERVICE, NO 77/155, BROADWAY CHENNAI CHENNAI, 600108, Tel: 044-64555872, Email: pptssc@gmail.com. CHENNAI - SHRIMMA POWER TOOLS, NO. 13, OLD MAHABALIPURAM ROAD KANDANCHAVADI, CHENNAI. CHENNAI, TAMIL NADU, 600096, Tel: 044-64534203, Email: shrimmapowertool@yahoo.com. CHENNAI - SRI KATHYAYENI ENTERPRISES, H-24, CENTRAL AVENUE KORATTUR CHENNAI, TAMIL NADU, 600080, Tel: 044 - 26873550 /42878495, Email: kathyayeni_tools2002@yahoo.co.in. COIMBATORE - AARDWOLF ENGINEERING CO., NO. 180 A/9, DR. NANJAPPA ROAD NSP COMPLEX, COIMBATORE COIMBATORE, TAMIL NADU, 641018, Tel: 0422 - 2301884 / 2380974, Email: myaardwolf@gmail.com. COIMBATORE - ORIENT EQUIPMENT & SERVICES, P.B. NO. 3795, SHOP NO G-5, V. R. ARCADE 295, DR. NANJAPPA ROAD COIMBATORE, TAMIL NADU, 641018, Tel: 0422 - 2236432 /2238507, Email: orientcbe@gmail.com,orientcalibration@gmail.com,rientcbe@dataone.in. HOSUR - BANU TOOLS, PLOT NO 7 , AMARAVATHI TOWERS VASAVI STREET,NEAR KVB BANK , NH 7, BYE PASS ROAD, HOSUR, 635109, Tel: 04344 - 242102, Email: banutools@gmail.com.

MADURAI - SANKER SALES CORPORATION, NO. 270, WEST MASI STREET MADURAI TAMIL NADU, 625001, Tel: 0452 - 2341803, Email: sankersalescorp270@gmail.com. TRICHY - SRI ANDAL POWER TOOLS, NO. 5, A BLOCK SREE COMPLEX, MADURAI ROAD TRICHY, 620008, Tel: 0431 4544271, Email: sriandalpowertools@yahoo.co.in. SALEM - SRI ANDAL AGENCIES, 47/10E DEVANGAPURAM EXTN ST SHEVAPET, SALEM, 636002, Tel: 0427 2223718, Email: sriandalagencies@yahoo.in. Madurai - SRI CHELLAM TOOLS, 166C NORTH VELI STREET Madurai Madurai, 625001, Tel: 04524-4504200, Email: srichellamtools@gmail.com. Chennai - THOMAS ENTERPRISES, 1/23, Kamatchi Nagar, vanagaram, Chennai, 600095, Tel: 044-24767133, Email: thomasenterprises30@gmail.com. TUTICORN - BLESSON TRADERS, NO.15, DEVARPURAM ROAD, TUTICORN, 628003, Tel: , Email: blessontraders@yahoo.in. **TELANGANA:** ANANTHPUR - GENERAL ENGINEERING, # 18-246 ,ROOM NO - 2 PINNI COMPLEX OPP KRISHNA THEATRE, ANANTHPUR, ANDHRA PRADESH, 515001, Tel: 0854-235706, Email: friendjan1@yahoo.co.in. HYDERABAD - GAYATHRI INDUSTRIAL CORPORATION, 10C, USHODAYA TOWERS, INDUSTRIAL ROAD, SHAPURNAGAR, JEEDINEMTLA. HYDERABAD, ANDRA PRADESH, 500055, Tel: 040 65964671, Email: gayathri.powertools@gmail.com. HYDERABAD - ORIENTAL ENGINEERING CORPORATION, 5-2-990 NIZAM SHAHI ROAD HYDERABAD, ANDRA PRADESH, 500095, Tel: 040 460 0056, 460 5319, Email: orientalgroup@gmail.com. HYDERABAD - S.V.INDUSTRIAL & MARKETING SERVICES, 2-3-64/8, S.NO-1 & 2 ,SAI POORNIMA OPP-AMBERPET NEW POLICE STATION, , HYDERABAD, ANDRA PRADESH, 500013, Tel: 040-27424828, Email: svindustrial1988@gmail.com. HYDERABAD - SRINIVASA ENTERPRISES, 5-5-80,2ND FLOOR, SRI SRINIVASA COMMERCIAL COMPLEX , BESIDE RAO'S HOTEL RANIGUNJ, SECUNDE HYDERABAD, ANDRA PRADESH, 500003, Tel: 040-66489943, Email: srinivasa_enterprises99@yahoo.com. HYDERABAD - VRINDAVAN ENTERPRISES, SHOP NO - 113,MEGHANA COMPLEX, OPP- ANDHRA BANK , BALANAGAR HYDERABAD, 500037, Tel: 30906810, Email: vrindavanent@gmail.com. VIJAYWADA - GOPALAKRISHNA ENGINEERING CO., DOOR NO 12-6-15, HART STREET, TARAPET, VIJAYAWADA VIJAYAWADA VIJAYAWADA, 520001, Tel: 9848156713, Email: sambasivarapoethina@yahoo.com. SECUNDERABAD - RAMAN TRADING COMPANY, SHOP NO.3.GAYATRI COMMERCIAL COMPLE, LALATEMPLE SREET,RANIGUNJ,SECUNDERABAD, 500003. **UTTARAKHAND:** RUDRAPUR - PARVESH MARKETING, TEEN PANI DAM, FULSUNGA, U.S. NAGAR, RUDRAPUR-UTTRAKHAND, 263153, Tel: , Email: parveshmarketing@rediffmail.com. DEHRADUN - M P ABRASIVES, SHOP NO- 19, SRI LAXMI PLAZA, GANDHI ROAD, DEHRADUN-UTTRAKHAND, 248001, Tel: 0135-2623192, Email: mpabrasives@gmail.com. GHAZIABAD - SHARMA ELECTRICALS, 1577, VIVEKANAND NAGAR, DOUBLE STORY, GHAZIABAD-UTTAR PRADESH, 201001, Tel: 0120-2702670, Email: SPT_2010@REDIFFMAIL.COM. KANPUR - CLIPCO TRADERS, 77/151, LATOUCHE ROAD , KANPUR- UTTAR PRADESH, 208001, Tel: 0512-2314228, Email: clipico@gmail.com. **UTTARPRADESH:** KANPUR - MAGADH INDUSTRIAL COMPANY, 123/414-A, GURU NANAK MARKET, GADARIAN PURVA, KANPUR- UTTAR PRADESH, 208022, Tel: 0512-2230545, Email: micokanpur@gmail.com. KANPUR - VIRAT ENTERPRISES, 122/230, SAROJINI NAGAR, KANPUR -UTTAR PRADESH, 208012, Tel: 0512-2221264, Email: premagarwal16@gmail.com. LUCKNOW - YASH ENGINEERING WORKS, 83, NAYA GAON EAST (BARROW MARKET) LATOUCH ROAD, LUCKNOW-UTTAR PRADESH, 226018, Tel: 0522-3046252, Email: yashenggwksko@gmail.com. SAHARANPUR - PREMIER MACHINERY STORE, VENUS CINEMA BUILDING, RAILWAY ROAD , SAHARANPUR -UTTAR PRADESH, 247001, Tel: 0132-2641663, Email: pmsre@gmail.com. LUCKNOW - POWER TOOLS COMMERCE, TALKATORA ROAD, NEAR HARDOI CROSSING, LUCKNOW-UTTAR PRADESH, 226017, Tel: 0522-3296595, Email: powertoolscommerce@gmail.com . GHAZIABAD - CHANANA BROTHERS, 228/6, HAPUR ROAD, GHAZIABAD-UTTAR PRADESH, 201001, Tel: 0120-4115993, Email: chanana_brothers1@yahoo.com. MEERUT - GARG STEEL CENTRE, 419, PATEL GANJ, KABARI BAZAR, MEERUT CITY-UTTAR PRADESH, 250002, Tel: 0121-2515926, Email: mukul.gsc@rediffmail.com. LUCKNOW - NIMBUS INTERNATIONAL, 26, AISH BAGH ROAD, LUCKNOW-UTTAR PRADESH, 226004, Tel: 0522-692315, Email: nimbusinternational@gmail.com. VARANASI - DIAMOND EDGE, D 59/127, CURCH MISSION COMPOUND, SIGRA, VARANASI-UTTAR PRADESH, 221010, Tel: 0542-2224317, Email: diamondedgevns@rediffmail.com. ALLAHABAD - ASSOCIATED BROTHERS, 17 RAM BAGH, ALLAHABAD-UTTAR PRADESH, 211003, Tel: 0532-2418381, Email: ab_all@rediffmail.com. HARIDWAR - U & D CORP, 1243, ARYA NAGAR, KANKHAL-JWALAPUR ROAD, HARIDWAR-UTTRAKHAND, 249404, Tel: 01334-253452, Email: undcorp@live.com. RUDRAPUR - NATIONAL MACHINERY STORES, 39, GALLA MANDI, U.S. NAGAR, RUDRAPUR-UTTRAKHAND, 263153, Tel: 05944-243417, Email: salujanms@yahoo.co.in . **WEST BENGAL:** DURGAPUR - CITY HARDWARE, NACHAN ROAD BENACHITY DURGAPUR, WEST BENGAL, 713213, Tel: 0343-2583831, Email: city_steelcity@rediffmail.com. HOWRAH - CUTWELL TOOLS, BELOW WBSEB OFFICE HOWRAH AMTA ROAD, DASNAGAR HOWRAH, WEST BENGAL, 711105, Tel: 6530670, Email: yogesh@market-links.co.in. KOLKATA - BARDIA TRADING CO., NO. 17 , PRINCEP STREET KOLKATA WEST BENGAL, 700072, Tel: 2373065, Email: bardiatradingcompany@gmail.com. KOLKATA - MACHINERY & TOOLS (INDIA) , 24,NETAJI SUBHAS ROAD KOLKATA WEST BENGAL, 700001, Tel: 033-2221-3840, Email: mtools_kol@yahoo.co.in. KOLKATA - S.M.B CORPORATION, NO. 218 OLD CHINA BAZAR STREET KOLKATA, 700001, Tel: 22422406/0666, Email: smbcorporation@gmail.com. KOLKATA - SUBOL DUTT & SONS PVT. LTD., NO. 13, BRABOURNE ROAD KOLKATA WEST BENGAL, 700001, Tel: 40051156, Email: suboldutt@rediffmail.com. KOLKATA - ESKAY CORPORATION, 26, N.S.ROAD(NETHAJI SUBAS ROAD) (GROUND FLOOR) KOLKATA, 700001, Tel: 65217049, Email: eskaycorp@live.in.