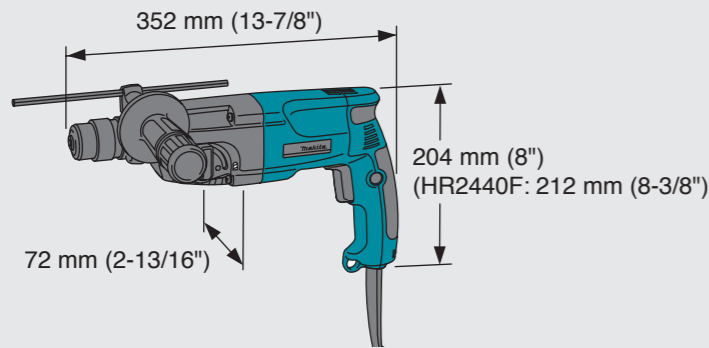


Specifications

Rotary Hammer

Dimension



Standard equipment

Rotary Hammer

	Part No.
Grip	152521-9
Stopper pole	324219-0
Plastic case	824650-5

Items of standard equipment may differ from country to country.

Optional accessories

Rotary Hammer

SDS plus Tungsten carbide-tipped bit				Core bit				
For Model	Bit diameter	Overall length	Part No.	Outer dia.	Depth	Depth	Part No.	
HR2020	4.0 mm	110 mm	A-11885	35 mm	108 mm	Max. drilling	A-86599	
	4.3 mm		A-11900	45 mm		Depth	A-86608	
	4.5 mm		A-11922	54 mm		180 mm	A-86614	
	4.8 mm		A-03648	160 mm	Core bit adapter (With center bit, O ring, & rod) Part No. A-86642			
	5.0 mm		A-03660		Center bit (For centering core bit) Part No. 752031-2			
	5.5 mm		A-11944		Rod (Used to remove core bit) For core bit dia. Part No.			
	6.0 mm		A-03682		35 mm, 45 mm	256806-6		
	6.4 mm		A-03707		54 mm	256815-5		
	6.5 mm		A-03729		65 mm			
	7.0 mm		A-03741		Diamond core bit Outer dia. Depth Part No.			
	7.5 mm		A-03763		38 mm	A-87535		
8.0 mm	A-03785	54 mm	A-87541					
8.5 mm	A-03800	65 mm	A-87557					
9.0 mm	A-11966	SDS-plus adapter (with center bit) Part No. A-87563						
9.5 mm	A-11988	Dust collector set Part No. 193472-7						
10.0 mm	A-03822	Joint 25 Part No. 192349-3						
10.5 mm	A-03844	Hose Part No. 192278-0						
11.0 mm	A-03866	Blow out bulb Part No. 765009-6						
Drill chuck assembly Part No. 122574-2				Grease 30g (R01) Part No. 183477-5				
Chuck adapter assembly Part No. 122573-4				Grease 100g (For bit) Part No. 181573-3				
Chuck key Part No. 763432-9				Safety goggle Part No. 191686-2				
Dust cup (Protects operator from dust and debris) Bit diameter Part No.				Hammer service kit Part No. 193606-2				
				6 - 14.5 mm 421342-3				
				12 - 16 mm 421664-1				



A world's leading manufacturer of power tools

- Double Insulation
- SDS-Plus drive
- Dust Collecting
- Torque Limiter
- Built-in Job Light (For Model HR2440F)
- Variable Speed (For Model HR2020, HR2021, HR2440, HR2440F, HR2441)
- Reversing (For Model HR2020, HR2440, HR2440F)
- Carrying Case

Rotary Hammer

20 mm (3/4") HR2020 / HR2021 / HR2022

24 mm (15/16") HR2440 / HR2440F / HR2441 / HR2442

*Powerful and Reliable Drilling in concrete
Makita's New 2 Kg-Rotary Hammers are
Now launched.*



20 mm (3/4") Rotary Hammer
HR2020 / HR2021 / HR2022

24 mm (15/16") Rotary Hammer
HR2440 / HR2441 / HR2442

24 mm (15/16") Rotary Hammer
HR2440F with Built-in Job Light

NEW



A world's leading manufacturer of power tools

In-line and Ergonomically Designed pistol Grip for Operator's comfort and less fatigue

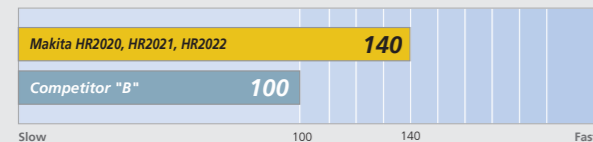


Performance Data

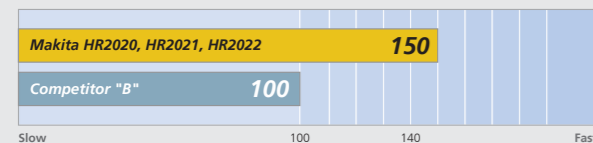
Note: It may differ under some conditions.

Drilling speed

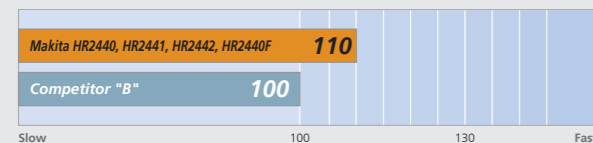
■ Work piece : Concrete (350 kgf/cm²)
When Hammer drilling with : ø8.5 mm (5/16") bit.



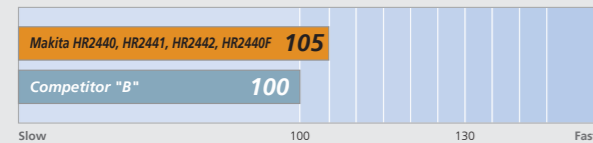
When Hammer drilling with : ø12.5 mm (1/2") bit.



When Hammer drilling with : ø8.5 mm (5/16") bit.



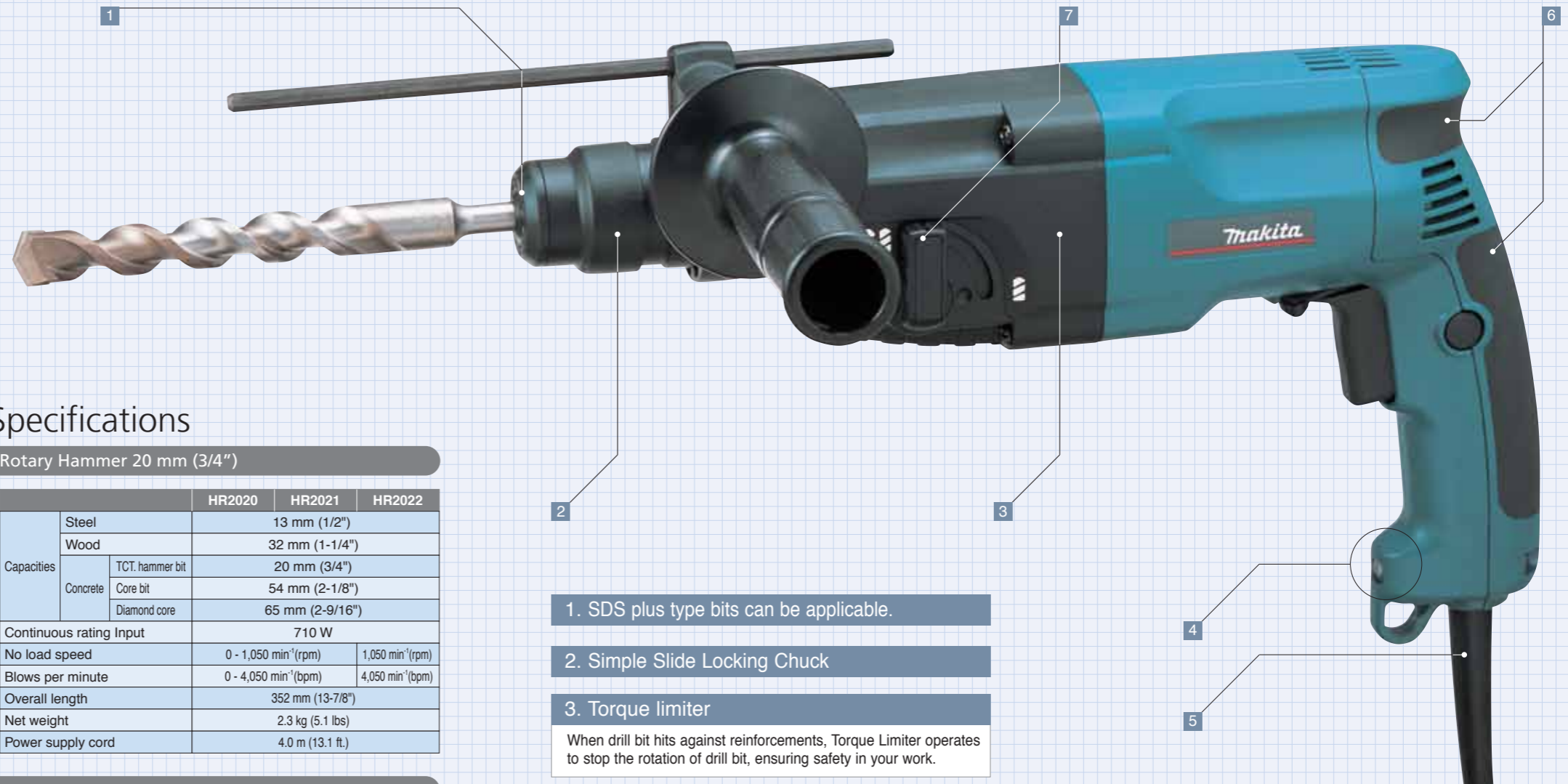
When Hammer drilling with : ø12.5 mm (1/2") bit.



Numbers in chart are relative values when setting competitor "B's" capacity as 100.

	Variable Speed + Reversing	Variable Speed	Single Speed
Rotary Hammer 20 mm (3/4")	HR2020	HR2021	HR2022
Rotary Hammer 24 mm (15/16")	HR2440 HR2440F	HR2441	HR2442

Rotary Hammer 20 mm (3/4") / 24 mm (15/16")



Specifications

Rotary Hammer 20 mm (3/4")

	HR2020	HR2021	HR2022	
Capacities	Steel	13 mm (1/2")		
	Wood	32 mm (1-1/4")		
	Concrete	TCT. hammer bit	20 mm (3/4")	
		Core bit	54 mm (2-1/8")	
Diamond core		65 mm (2-9/16")		
Continuous rating Input	710 W			
No load speed	0 - 1,050 min ⁻¹ (rpm)	1,050 min ⁻¹ (rpm)		
Blows per minute	0 - 4,050 min ⁻¹ (bpm)	4,050 min ⁻¹ (bpm)		
Overall length	352 mm (13-7/8")			
Net weight	2.3 kg (5.1 lbs)			
Power supply cord	4.0 m (13.1 ft.)			

Rotary Hammer 24 mm (15/16")

	HR2440 / F	HR2441	HR2442	
Capacities	Steel	13 mm (1/2")		
	Wood	32 mm (1-1/4")		
	Concrete	TCT. hammer bit	24 mm (15/16")	
		Core bit	54 mm (2-1/8")	
Diamond core		65 mm (2-9/16")		
Continuous rating Input	780 W			
No load speed	0 - 1,100 min ⁻¹ (rpm)	1,100 min ⁻¹ (rpm)		
Blows per minute	0 - 4,500 min ⁻¹ (bpm)	4,500 min ⁻¹ (bpm)		
Overall length	352 mm (13-7/8")			
Net weight	2.3 kg (5.1 lbs)			
Power supply cord	4.0 m (13.1 ft.)			

Specifications may differ from country to country.

1. SDS plus type bits can be applicable.

2. Simple Slide Locking Chuck

3. Torque limiter

When drill bit hits against reinforcements, Torque Limiter operates to stop the rotation of drill bit, ensuring safety in your work.

4. Built-in LED Job Light (HR2440F)



5. Highly Durable Cord Guard

6. Ergonomically Designed Rubber Grip (HR2440 / 41 / 42 / 40F only)

7. 2 mode change lever



Easy to change action mode to "Rotation only" or "Rotation with Percussion".

PHOTO: Model HR2440F