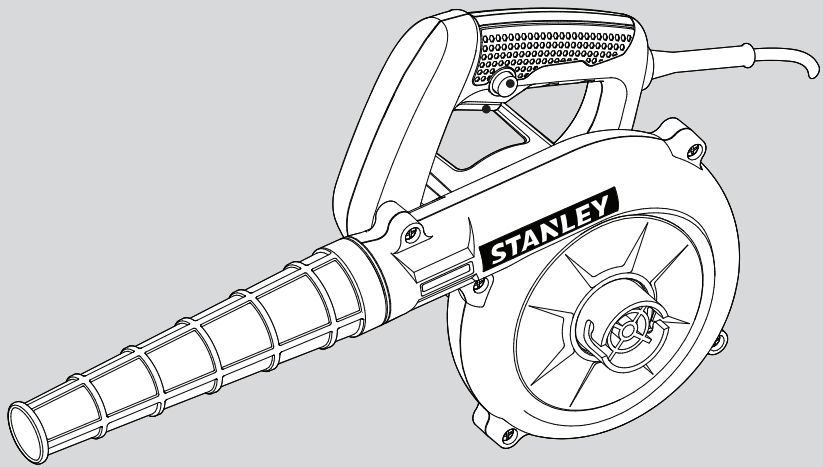
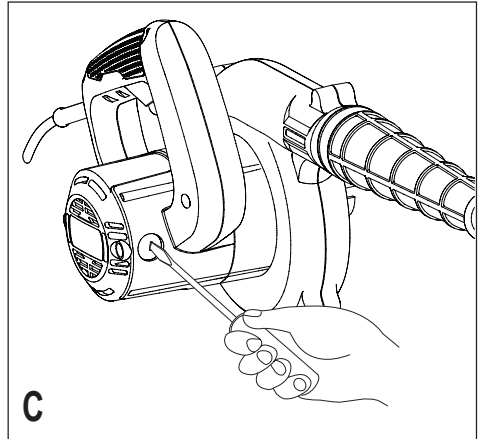
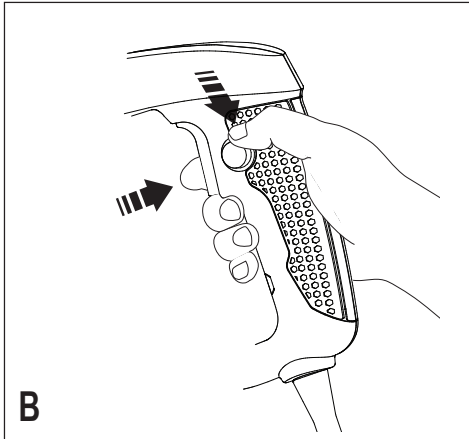
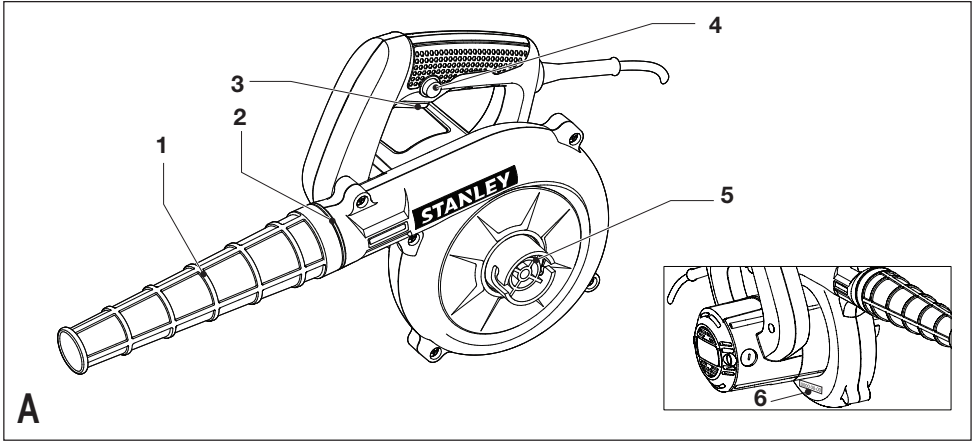


# STANLEY





## Intended use

Your STANLEY Blower SPT500 has been designed for blowing & cleaning applications.

## Safety Instructions

### General Power Tool Safety Warnings



**Warning! Read all safety warnings and instructions** Failure to follow all instructions listed below may result in electric shock, fire and/or serious injury.

#### Save all warnings and instructions for future reference.

The term "power tool" in all of the warnings listed below refers to your mains operated (corded) power tool or battery operated (cordless) power tool.

#### 1. Work area safety

- a. **Keep work area clean and well lit.** Cluttered and dark areas invite accidents.
- b. **Do not operate power tools in explosive atmospheres, such as in the presence of flammable liquids, gases or dust.** Power tools create sparks which may ignite the dust or fumes.
- c. **Keep children and bystanders away while operating a power tool.** Distractions can cause you to lose control.

#### 2. Electrical safety

- a. **Power tool plugs must match the outlet. Never modify the plug in any way. Do not use any adapter plugs with earthed (grounded) power tools.** Unmodified plugs and matching outlets will reduce risk of electric shock.
- b. **Avoid body contact with earthed or grounded surfaces such as pipes, radiators, ranges and refrigerators.** There is an increased risk of electric shock if your body is earthed or grounded.
- c. **Do not expose power tools to rain or wet conditions.** Water entering a power tool will increase the risk of electric shock.
- d. **Do not abuse the cord. Never use the cord for carrying, pulling or unplugging the power tool. Keep cord away from heat, oil, sharp edges or moving parts.** Damaged or entangled cords increase the risk of electric shock.
- e. **When operating a power tool outdoors, use an**

**extension cord suitable for outdoor use.** Use of a cord suitable for outdoor use reduces the risk of electric shock.

- f. If operating a power tool in a damp location is unavoidable, use a residual current device (RCD) protected supply. Use of an RCD reduces the risk of electric shock.
- ### 3. Personal safety
- a. **Stay alert, watch what you are doing and use common sense when operating a power tool. Do not use a power tool while you are tired or under the influence of drugs, alcohol or medication.** A moment of inattention while operating power tools may result in serious personal injury.
  - b. **Use safety equipment. Always wear eye protection.** Safety equipment such as dust mask, non-skid safety shoes, hard hat, or hearing protection used for appropriate conditions will reduce personal injuries.
  - c. **Prevent unintentional starting. Ensure the switch is in the off-position before connecting to power source and/or battery pack, picking up or carrying the tool.** Carrying power tools with your finger on the switch or energising power tools that have the switch on invites accidents.
  - d. **Remove any adjusting key or wrench before turning the power tool on.** A wrench or a key left attached to a rotating part of the power tool may result in personal injury.
  - e. **Do not overreach. Keep proper footing and balance at all times.** This enables better control of the power tool in unexpected situations.
  - f. **Dress properly. Do not wear loose clothing or jewellery. Keep your hair, clothing and gloves away from moving parts.** Loose clothes, jewellery or long hair can be caught in moving parts.
  - g. **If devices are provided for the connection of dust extraction and collection facilities, ensure these are connected and properly used.** Use of these devices can reduce dust related hazards.
- ### 4. Power tool use and care
- a. **Do not force the power tool. Use the correct power tool for your application.** The correct power tool will do the job better and safer at the rate for which it was designed.

- b. **Do not use the power tool if the switch does not turn it on and off.** Any power tool that cannot be controlled with the switch is dangerous and must be repaired.
  - c. **Disconnect the plug from the power source before making any adjustments, changing accessories, or storing power tools.** Such preventive safety measures reduce the risk of starting the power tool accidentally.
  - d. **Store idle power tools out of the reach of children and do not allow persons unfamiliar with the power tool or these instructions to operate the power tool.** Power tools are dangerous in the hands of untrained users.
  - e. **Maintain power tools. Check for misalignment or binding of moving parts, breakage of parts and any other condition that may affect the power tools operation. If damaged, have the power tool repaired before use.** Many accidents are caused by poorly maintained power tools.
  - f. **Keep cutting tools sharp and clean.** Properly maintained cutting tools with sharp cutting edges are less likely to bind and are easier to control.
  - g. **Use the power tool, accessories and tool bits etc., in accordance with these instructions and in the manner intended for the particular type of power tool, taking into account the working conditions and the work to be performed.** Use of the power tool for operations different from those intended could result in a hazardous situation.
5. **Service**
- a. **Have your power tool serviced by a qualified repair person using only identical replacement parts.** This will ensure that the safety of the power tool is maintained.








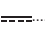
**Additional Safety Instructions for Blowers**

- Do not collect still smoldering cigarette ashes, freshly cut metals shaving, screws, nails and the like.
- Never block suction inlet and outlet.
- Do not cross gravel paths or roads whilst your product is switched on during blow/vac mode. Walk, never run.
- Always be sure of your footing, particularly on slopes.
- Do not overreach and keep your balance at all times.

- Do not place the inlet or outlet of the vacuum near eyes or ears when operating. Never blow debris in the direction of bystanders.
- Keep all cooling air inlets clear of debris.
- To protect your feet and legs while operating the appliance, always wear heavy duty footwear and long trousers.
- Never allow children to use the appliance.
- Wear protective goggles while operating.
- If operating an appliance in a damp location is unavoidable, use a Residual Current Device (RCD) with a tripping current of not more than 30mA protected supply. Use of an RCD reduces the risk of electric shock.
- To prevent dust irritation the wearing of a face mask is recommended.
- Disconnect the appliance from the mains supply
  - whenever you leave the machine;
  - before cleaning a blockage;
  - before checking, cleaning or working on the appliance;
  - if the appliance starts to vibrate abnormally.
- Store the appliance only in a dry place.

**Labels on tool**

The label on your tool may include the following symbols:

	Read Instructions Manual	Hz .....	Hertz		.....	Class II Construction
	Use Eye Protection	W .....	Watts		.....	Earthing Terminal
	Use Ear Protection	min .....	minutes		.....	Safety Alert Symbol
			.....	Alternating Current		
			.....	Direct Current	.../min..	Revolutions or Reciprocation per minute
V .....	Volts	$n_0$ .....	No-Load Speed			
A .....	Amperes					

**Position of date barcode**

The Date Code, which also includes the year of manufacture, is printed into the housing(6).  
Example:

2014 XX JN  
Year of manufacturing

## Electrical safety



This tool is double insulated; therefore no earth wire is required. Always check that the power supply corresponds to the voltage on the rating plate.

If the supply cord is damaged, it must be replaced by the manufacturer or an authorised Stanley Service centre in order to avoid a hazard.

The extension cable must be suitable for outdoor use and marked accordingly. Up to 0.75 mm<sup>2</sup> H05VV-F or H05RN-F extension cable can be used without loss of product performance.

## Features

This tool includes the following features:

1. Nozzle
2. Blast Port
3. Trigger Switch
4. Lock-On Button
5. Suction Port

## Assembly

**Warning!** Before assembly, make sure that the tool is switched off and unplugged.

## Use

### Mounting The Nozzle For Blowing Operations (fig. A)

- Insert the pin located inside the Nozzle into the notch provided on the Blast Port (1)
- To lock Nozzle in place, turn the Nozzle in the direction indicated.
- To remove Nozzle, turn the Nozzle in the opposite direction.

### Operating The Blower (fig. B)

- To switch your Blower on, depress the Switch (3). To stop your Blower, release Switch.
- When continuous operation is required, first depress the switch and then the lock-on button (5) and release to disengage lock, squeeze and release switch.

**Warning:** Continuous running of machine should not exceed 30 minutes.

### Replacing Carbon Brushes (fig. C)

- Use a screwdriver to remove the brush holder cap.
- Take out the worn carbon brush, insert the new one and secure the brush hold cap.

**Warning!** Remove and check the carbon brushes regularly. Replace when they wear down to the limit mark.

## Accessories

The performance of your tool depends on the accessory used. STANLEY and Piranha accessories are engineered to high quality standards and designed to enhance the performance of your tool. By using these accessories you will get the very best from your tool.

## Maintenance

Your tool has been designed to operate over a long period of time with a minimum of maintenance. Continuous satisfactory

operation depends upon proper tool care and regular cleaning.

**Warning!** Before performing any maintenance, switch off and unplug the tool.

- Regularly clean the ventilation slots in your tool using a soft brush or dry cloth.
- Regularly clean the motor housing using a damp cloth. Do not use any abrasive or solvent-based cleaner.

## Technical data

		SPT500
Voltage	V	220 - 240
Frequency	Hz	50/60
Power	W	500
No-load speed	/min	16,000
Air Volume	m <sup>3</sup> /min	3.5
Weight	Kg	1.6

## Protecting the environment



Separate collection. This product must not be disposed of with normal household waste.

Should you find one day that your STANLEY product needs replacement, or if it is of no further use to you, do not dispose of it with household waste. Make this product available for separate collection.



Separate collection of used products and packaging allows materials to be recycled and used again. Re-use of recycled materials helps prevent environmental pollution and reduces the demand for raw materials.

Local regulations may provide for separate collection of electrical products from the household, at municipal waste sites or by the retailer when you purchase a new product. STANLEY provides a facility for the collection and recycling of STANLEY products once they have reached the end of their working life. To take advantage of this service please return your product to any authorised repair agent who will collect them on our behalf.

You can check the location of your nearest authorised repair agent by contacting your local STANLEY office at the address indicated in this manual. Alternatively, a list of authorised STANLEY repair agents and full details of our after-sales service and contacts are available on the Internet at: [www.2helpU.com](http://www.2helpU.com)

## One year full warranty

If your STANLEY product becomes defective due to faulty materials or workmanship within 12 months from the date of purchase, STANLEY guarantees to replace all defective parts free of charge or – at our discretion – replace the unit free of charge provided that:

- The product has not been misused and has been used in accordance with the instruction manual.
- The product has been subject to fair wear and tear;
- Repairs have not been attempted by unauthorised
- Proof of purchase is produced.
- The STANLEY product is returned complete with all original components

If you wish to make a claim, contact your seller or check the location of your nearest authorised STANLEY repair agent in the STANLEY catalogue or contact your local STANLEY office at the address indicated in this manual. A list of authorised STANLEY repair agents and full details of our after sales service is available on the internet at: [www.2helpU.com](http://www.2helpU.com)



