

STANLEY

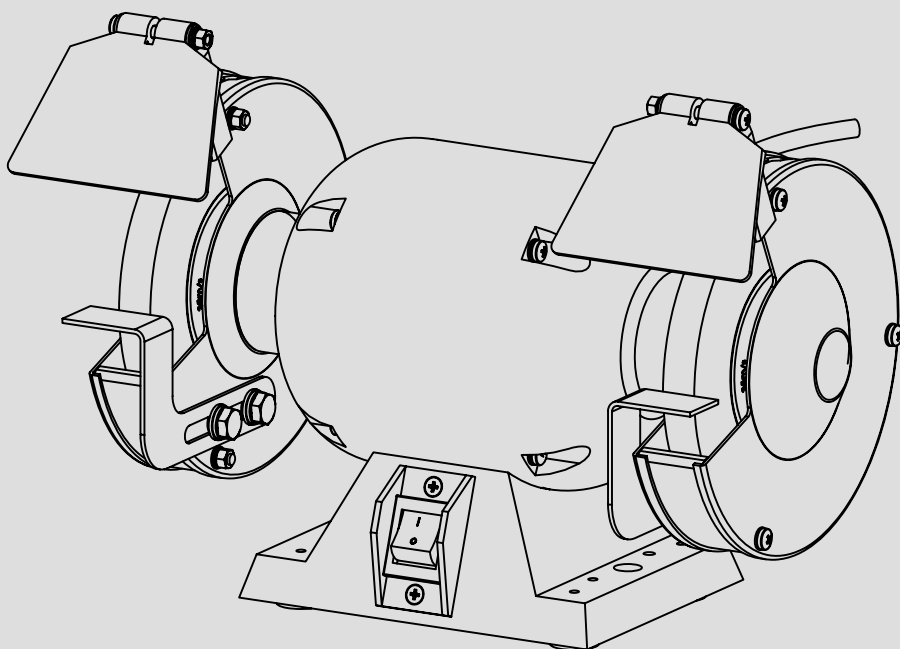


FIG. 1

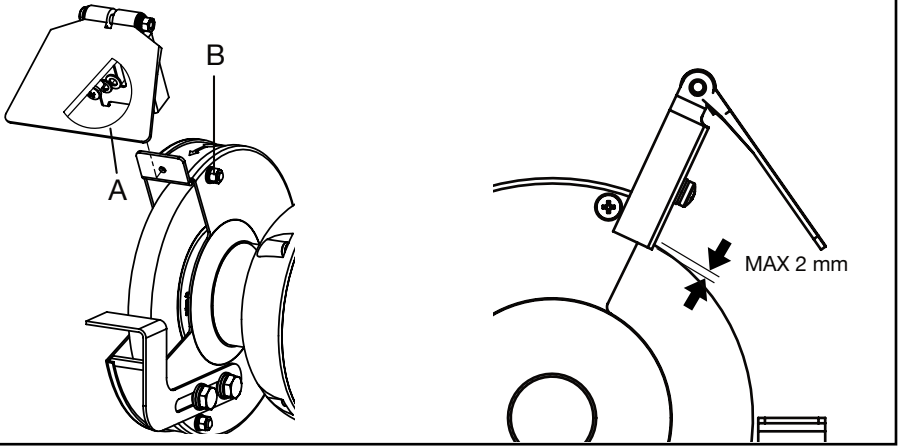


FIG. 2

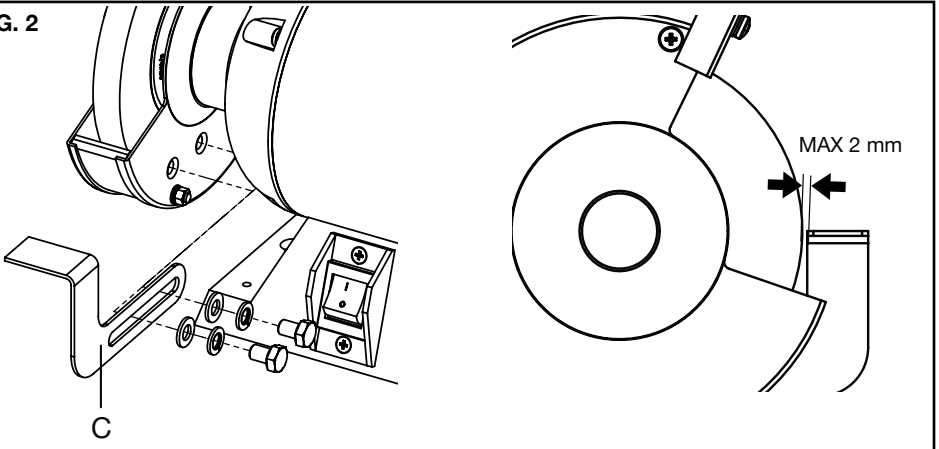
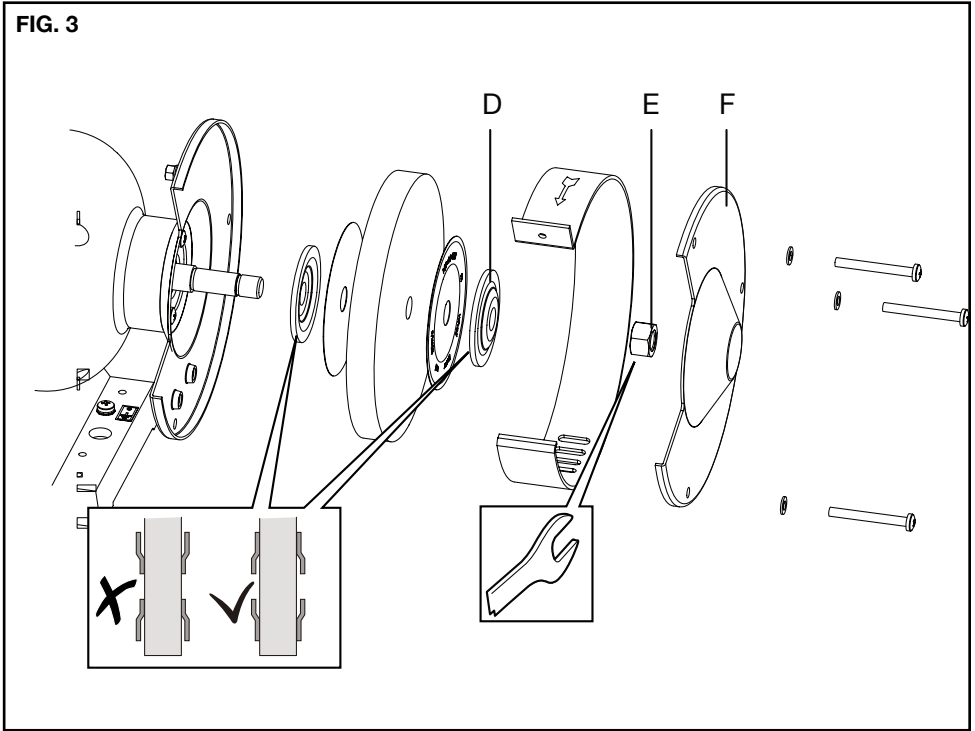


FIG. 3



Intended use

This tool is intended as a stationary machine for sharpening of hand tools as well as for grinding and deburring metal

General Safety Rules



Warning! Read and understand all instructions.

Failure to follow all instructions listed below, may result in electric shock, fire and/or serious personal injury.

SAVE THESE INSTRUCTIONS

Safety instructions

General power tool safety warnings



WARNING! Read all safety warnings and all instructions.

Failure to follow the warnings and instructions listed below may result in electric shock, fire and/or serious injury.

Save all warnings and instructions for future reference.

The term "power tool" in all of the warnings listed below refers to your mains operated (corded) power tool or battery operated (cordless) power tool.

1. Work area safety

- a. **Keep work area clean and well lit.** Cluttered or dark areas invite accidents.
- b. **Do not operate power tools in explosive atmospheres, such as in the presence of flammable liquids, gases or dust.** Power tools create sparks which may ignite the dust or fumes.
- c. **Keep children and bystanders away while operating a power tool.** Distractions can cause you to lose control.

2. Electrical safety

- a. **Power tool plugs must match the outlet. Never modify the plug in any way. Do not use any adapter plugs with earthed (grounded) power tools.** Unmodified plugs and matching outlets will reduce risk of electric shock.
- b. **Avoid body contact with earthed or grounded surfaces such as pipes, radiators, ranges and refrigerators.** There is an increased risk of electric shock if your body is earthed or grounded.
- c. **Do not expose power tools to rain or wet conditions.**

Water entering a power tool will increase the risk of electric shock.

- d. **Do not abuse the cord. Never use the cord for carrying, pulling or unplugging the power tool. Keep cord away from heat, oil, sharp edges or moving parts.** Damaged or entangled cords increase the risk of electric shock.
- e. **When operating a power tool outdoors, use an extension cord suitable for outdoor use.** Use of a cord suitable for outdoor use reduces the risk of electric shock.
- f. **If operating a power tool in a damp location is unavoidable, use a residual current device (RCD) protected supply.** Use of an RCD reduces the risk of electric shock. Note: The term "Residual Current Device (RCD)" can be replaced by "Ground Fault Circuit Interrupter (GFCI)" or by "Earth Leakage Circuit Breaker (ELCB)".

3. Personal safety

- a. **Stay alert, watch what you are doing and use common sense when operating a power tool. Do not use a power tool while you are tired or under the influence of drugs, alcohol or medication.** A moment of inattention while operating power tools may result in serious personal injury.
- b. **Use personal protective equipment. Always wear eye protection.** Protective equipment such as dust mask, non-skid safety shoes, hard hat, or hearing protection used for appropriate conditions will reduce personal injuries.
- c. **Prevent unintentional starting. Ensure the switch is in the off-position before connecting to power source and/or battery pack, picking up or carrying the tool.** Carrying power tools with your finger on the switch or energising power tools that have the switch on invites accidents.
- d. **Remove any adjusting key or wrench before turning the power tool on.** A wrench or a key left attached to a rotating part of the power tool may result in personal injury.
- e. **Do not overreach. Keep proper footing and balance at all times.** This enables better control of the power tool in unexpected situations.
- f. **Dress properly. Do not wear loose clothing or jewellery. Keep your hair, clothing and gloves away from moving parts.** Loose clothes, jewellery or long hair can be caught in moving parts.

- g. If devices are provided for the connection of dust extraction and collection facilities, ensure these are connected and properly used.** Use of dust collection can reduce dust-related hazards.
- 4. Power tool use and care**
- a. Do not force the power tool. Use the correct power tool for your application.** The correct power tool will do the job better and safer at the rate for which it was designed.
- b. Do not use the power tool if the switch does not turn it on and off.** Any power tool that cannot be controlled with the switch is dangerous and must be repaired.
- c. Disconnect the plug from the power source and/or the battery pack from the power tool before making any adjustments, changing accessories, or storing power tools.** Such preventive safety measures reduce the risk of starting the power tool accidentally.
- d. Store idle power tools out of the reach of children and do not allow persons unfamiliar with the power tool or these instructions to operate the power tool.** Power tools are dangerous in the hands of untrained users.
- e. Maintain power tools. Check for misalignment or binding of moving parts, breakage of parts and any other condition that may affect the power tools operation. If damaged, have the power tool repaired before use.** Many accidents are caused by poorly maintained power tools.
- f. Keep cutting tools sharp and clean.** Properly maintained cutting tools with sharp cutting edges are less likely to bind and are easier to control.
- g) Use the power tool, accessories and tool bits etc. in accordance with these instructions, taking into account the working conditions and the work to be performed.** Use of the power tool for operations different from those intended could result in a hazardous situation.
- 5. Service**
- a. Have your power tool serviced by a qualified repair person using only identical replacement parts.** This will ensure that the safety of the power tool is maintained.

Additional Safety Rules For Bench Grinders

- Always use proper guard with grinding wheel. A guard protects operator from broken wheel fragments.
- Accessories must be rated for at least the speed recommended on the tool warning label. Wheels and other accessories running over the rated speed can fly apart and cause injury.
- Before using, inspect recommended accessory for cracks or flaws. If such a crack or flaw is evident, discard the accessory. **DO NOT USE A GRINDING WHEEL THAT IS CRACKED OR FLAWED IN ANY WAY.**
- When starting the tool, let it run for one minute. Never start the tool with a person in line with the wheel. This includes the operator.
- Do not grind on the sides of grinding wheels unless they are specifically designed for that purpose.
- Do not overtighten wheel clamp nut. This may crack the grinding wheel.
- Clean the cavity around the grinding wheel periodically.

Warning! Some dust created by power sanding, sawing, grinding, drilling, and other construction activities contains chemicals known to cause cancer, birth defects or other reproductive harm. Some examples of these chemicals are:

- Lead from lead-based paints,
- Crystalline silica from bricks and cement and other masonry products, and arsenic and chromium from chemically-treated lumber. (CCA)


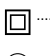



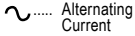


Your risk from these exposures varies, depending on how often you do this type of work. To reduce your exposure to these chemicals: Work in a well ventilated area, and work with approved safety equipment, such as those dust masks that are specially designed to filter out microscopic particles.

- Wear protective glasses;
- Do not use damaged or unshaped wheels;
- The adjustment of the spark arrestor shall be made frequently, so as to compensate the wear of the wheel, keeping the distance between the guard and the wheel as small as possible, but in any case not greater than 2mm;

- The adjustment of the work rest shall be done gradually so as to compensate the wear of the wheel, keeping the distance between the work rest and the wheel as small as possible, but in any case not greater than 2mm;
 - Allow the tool to cool down after a continuous use of 20 minutes (S2 20min)
 - Basic information on grinding wheels
1. Put grinding wheel in individual package, and keep in a dry and well-ventilated place.
 2. Various shortcomings during installation and operation can lead to bursting of grinding wheels.
 3. Ordinary grinding wheels are generally not designed to withstand a greater lateral load.
 4. Tap off cutting debris from the grinding wheel always leads to damage of the grinding wheel.
 5. Grinding wheels which may have an imbalance burst easily.
 6. An unbalance of a grinding wheel can not be completely removed by withdrawing with a diamond dresser.
 7. Incorrectly stored grinding wheels can burst immediately after switching on, or individual small fragments fly away like a bullet.
- Releasing jammed accessories. Release the pressure on work piece, grinding wheels will return running.
 - Lifting and transportation. Stop and disconnect machine. Use two hands to lift up machine from two sides of bottom of bearing housing.
 - The work piece should be suitable for opening size between wheels and plate. The machine is designed and manufactured exclusively for grinding metals using properly authorized grinding wheels. The grinding machine must be used exclusively for this purpose.

6. Labels on tool

The label on your tool may include the following symbols:

	Read Instructions Manual	Hz	Hertz		Class II Construction
	Use Eye Protection	W	Watts		Earthing Terminal
	Use Ear Protection	min	minutes		Alternating Current
			Direct Current		Safety Alert Symbol
V	Volts/min..	Revolutions or Reciprocation per minute			
A	Amperes	n_0	No-Load Speed			

Position of date barcode

The Date Code, which also includes the year of manufacture, is printed into the housing.

Example:

2014 XX JN
Year of manufacturing

Package Contents

The package contains:

- 1 Bench Grinder
- 2 Tool Rests
- 2 Eye Shields
- 2 Mounting Brackets
- 1 Instruction Manual

Features

This tool includes some or all of the following features.

- A. Spark Guard
- B. Screw
- C. Tool Rest
- D. Flange
- E. Clamping Nut
- F. Protective Cover

7. Electrical safety



Warning! If the power cord is damaged, it must be replaced by the manufacturer, authorized STANLEY Service Center or an equally qualified person in order to avoid damage or injury. If the power cord is replaced by an equally qualified person, but not authorized by STANLEY, the warranty will not be valid.

Bench Mounting

1. The grinder should be unplugged.
2. Position grinder on workbench. Check for the availability of power for the grinder. Mark location of holes for drilling.
3. Drill appropriate sized holes.
4. Insert 1/4" (6mm) Hex head bolts through washers and the holes. You may want to use washers on the underside of the bench as well.
5. Tighten the nuts. Do not overtighten. Allow the rubber feet to absorb the vibration when the grinder is running.

Installing eye shields and mounting of spark guard (Fig. 1)

Turn off tool and disconnect from power supply. Adjust the eye shields so they are between the wheels and your eyes.

Note: Eye shields are not designed to replace safety glasses.

- Mounting of spark guard
- loosen screw B (do not remove it)

! regularly check the distance between spark guard A and the grinding wheel (max. 2 mm) and re-adjust, if necessary

- replace the grinding wheel, if it is worn down to the point where spark guard A can no longer be adjusted to the maximum distance of 2 mm

Installing tool rests (Fig. 2)

Turn off power and disconnect from power supply. Use the bolts, washers, spacers and lock nuts from the plastic

bag to secure the brackets and tool rests in place.



Caution: Use the washers and screws supplied. Longer screws may interfere with the movement of the grinding wheel.

! regularly check the distance between tool rest C and the grinding wheel (max. 2 mm) and re-adjust, if necessary

- Mounting tool on working surface

Operation

Never use a bench grinder if it is not firmly fastened to a work bench or rigid frame. Before turning the grinder on, put on safety glasses. Turn on the grinder and allow it to reach full speed (2950 /min) . Hold the workpiece firmly and against the tool rest. Hold very small pieces with pliers or other suitable clamps. Feed the work smoothly and evenly into the grinding wheel. Move the work slowly and avoid jamming the work against the wheel. As the wheel tends to slow down you should occasionally release the pressure to let the wheel return to full speed.

Grind only on the face of the grinding wheel and never on the side. (Some wheels are designed for side grinding and will say so on their instruction sheets).



Caution: Prolonged grinding will cause most materials to become hot. Handle them with pliers.

Switch

The switch is located on the front of the grinder, on the base. To turn the tool on depress the side of the rocker switch on the right side, marked "1". To turn off the grinder, depress the left side of the rocker switch, marked "0".

Changing Accessories

Turn off the tool and disconnect from power supply. Use only wheels that measure 152mm in diameter. This tool has 13mm arbors on both sides. Follow the steps below to remove and replace an accessory.

Replacing grinding wheels (FIG.3)

! disconnect the plug

! use only grinding wheels with an allowable speed

matching at least the highest no-load speed of the tool

! use only original Stanley grinding wheels

- remove protective cover F by loosening (not removing) the 3 screws B
- unscrew clamping nut E with a spanner
- remove clamping flange D and grinding wheel
- for mounting new grinding wheel handle in reversed order

! perform a sound-test on new grinding wheels and test-run them without load for at least 5 minutes (stay out of danger area)

Maintenance

Your tool has been designed to operate over a long period of time with a minimum of maintenance. Continuous satisfactory operation depends upon proper tool care and regular cleaning.

Warning! Before performing any maintenance, switch off and unplug the tool.

- Regularly clean the ventilation slots in Your tool using a soft brush or dry cloth.
- Regularly clean the motor housing using a damp cloth. Do not use any abrasive or solvent-based cleaner.

Cleaning

Blowing dust and grit out of the wheel guards using compressed air is a necessary regular maintenance procedure. Dust and grit containing metal particles often accumulate on interior surfaces and could create an electrical shock hazard if not frequently cleaned out.

ALWAYS WEAR SAFETY GLASSES.

Caution! Never use solvents or other harsh chemicals for cleaning the non-metallic parts of the tool. Use clean, dry rag only.

Accessories

The performance of your tool depends on the accessory used. STANLEY accessories are engineered to high quality standards and designed to enhance the performance of your tool. By using these accessories you will get the very best from your tool.

Specifications

STGB3715	
Voltage	230V
Frequency	50Hz
Power	373W
No-load speed	2950/min (rpm)
Wheel diameter	152mm (6")
Cord	1m
Weight	8.6kg

Service Information

STANLEY offers a full network of company-owned and authorized service locations. All STANLEY Service Centers are staffed with trained personnel to provide customers with efficient and reliable power tool service. For more information about our authorized service centers and if you need technical advice, repair, or genuine factory replacement parts, contact the STANLEY location nearest you.

L_{pA} (sound pressure)	dB(A)	58,0
K_{pA} (sound pressure uncertainty)	dB(A)	3
L_{WA} (sound power)	dB(A)	72.5
K_{WA} (sound power uncertainty)	dB(A)	3

Protecting the environment



Separate collection. This product must not be disposed of with normal household waste.

Should you find one day that your Stanley product needs replacement, or if it is of no further use to you, do not dispose of it with household waste. Make this product available for separate collection.



Separate collection of used products and packaging allows materials to be recycled and used again.

Re-use of recycled materials helps prevent environmental pollution and reduces the demand for raw materials.

Local regulations may provide for separate collection of electrical products from the household, at municipal waste sites or by the retailer when you purchase a new product. Stanley provides a facility for the collection and recycling of Stanley products once they have reached the end of their working life. To take advantage of this service please return your product to any authorised repair agent who will collect them on our behalf.

You can check the location of your nearest authorised repair agent by contacting your local Stanley office at the address indicated in this manual. Alternatively, a list of authorised Stanley repair agents and full details of our after-sales service and contacts are available on the Internet at: www.2helpU.com

One year warranty

If your STANLEY product becomes defective due to faulty materials or workmanship within 12 months from the date of purchase, STANLEY guarantees to replace all defective parts free of charge or – at our discretion – replace the unit free of charge provided that:

- The product has not been misused and has been used in accordance with the instruction manual.
- The product has been subject to fair wear and tear;
- Repairs have not been attempted by unauthorised
- Proof of purchase is produced.
- The STANLEY product is returned complete with all original components

If you wish to make a claim, contact your seller or check the location of your nearest authorised STANLEY repair agent in the STANLEY catalogue or contact your local STANLEY office at the address indicated in this manual. A list of authorised STANLEY repair agents and full details of our after sales service is available on the internet at: www.stanleytools.com

Names & Addresses for STANLEY Service Concessionaries - INDIA

ASSAM: Arun Machine And Tools, A.T.Road, Near Rupshree Cinema, Tokohari, Guwahati, Assam, Pin: 781001, Mob: 9435118754, Tel: 2591868. Bagaria Tools And Hardware, Near Hotel Vishwaratna, At Road, Guwahati, Assam, Pin: 781001, Mob: 9435011008/9864077172, Tel: 2511173. Vinayak Tools And Machinery, A-1, Mangal Ram Tower, Opposite Police Reserve, A.T.Road, Guwahati, Assam, Pin: 781001, Mob: 9435049234. Assam Machine Tools, Gar-ali, Jorhat, Guwahati, Assam, Pin: 785001, Mob: 9435050699, Tel: 2321607. Shyam Machinery And Tools, A.C. Plaza, N.B.Road (Near Ananta Cinema), Tezpur, Assam, Pin: 784001, Mob: 9435081917, Tel: 03712-230142. **BHAR:** Jai Ambyos Traders, Ramna Road, Near Rama Bhavan, P.S.-civil Lane, P.O.- Gaya, Bihar, Pin: 823001, Mob: 9431224989. **CHATTISGARH:** Agrawal Motors, Opp Punjab National Bank, Transport Nagar, Korba, Pin: 495677, Mob: 07759245553, Tel: 9893222761. V. M. Enterprises, Millennium Plaza, First Floor-31, Banstal G E Road, Raipur, Pin: 492001, Mob: 9826136099, Tel: 0771-4280808. **JHARKHAND:** Sigma Enterprises, Sarahlaha Main Road, Near Ajay Talkies, Dhanbad, Bihar, Pin: 828127, Mob: 9431187803, Tel: 206253. Industrial Tools & Equipments, S Type Chawk, Main Road, Adityapur, Jamshehpur, West Bengal, Pin: 831013, Mob: 9431349848, Tel: 0657-2383282. Mangilall Rungta, P.O.Jugsalai, Jamshehpur, Jharkhand, Jamshehpur, Pin: 831006, Mob: 9334804626, Tel: 0657-423738. Urca Enterprises, Ram Road Near Tulsi Bhawan, 2nd Floor.diagonal Road, Bistupur,jamshehpur, Pin: 831001, Mob: 8292309050, Tel: 0657-2429043. Industrial Tools Agency, Dr. Fataullah Road, Ranchi, Jharkhand, Pin: 834001, Mob: 9334706264, Tel: 0651-2206712. Ranchi Metal Supply Co., S.N.Ganguly Road, Ranchi, Jharkhand, Pin: 834001, Mob: 9431174908, Tel: 0651-200066. **ORISSA:** Utkal Power Tools &sales, Shop No 121,anand Plaza, Lakshmi Sagar Square, Bhubaneswar, Pin: 751006, Mob: 9437033867, Tel: 0674-2571079. M.R.Hydro Electric Co(Asc), Nua Patna, Buxi Bazar, cuttack, Cuttack, Pin: 754001, Mob: 9337887000. Subham Enterprises, No. 41, Taingini Market, Rourkela, Orissa, Pin: 769004, Mob: 9437041443, Tel: 0661-440 1443. **WEST BENGAL:** City Hardware, Nachan Road, Benachity, Durgapur, West Bengal, Pin: 713213, Mob: 9832150581, Tel: 0343-2583831.Cuttwell Tools, Below Wbsef Office, Howrah Amta Road, Dasmagar, Howrah, West Bengal, Pin: 711105, Mob: 9830057455, 9330034464, Tel: 6530670. Bardia Trading Co. No. 17, Princep Street, Kolkata, West Bengal, Pin: 700072, Mob: 9831013176, 9831022454, Tel: 2373065. Machinery & Tools (India) 24, netaji Subhas Road, Kolkata, West Bengal, Pin: 700001, Mob: 9830052968, Tel: 033-2221-3840, S.M.B Corporation, No. 218, Old China Bazar Street, Kolkata, Pin: 700001, Mob: 9903331752, Tel: 2222406066. Subol Dutt & Sons Pvt. Ltd., No. 13, Barbourne Road, Kolkata, West Bengal, Pin: 700001, Mob: 9813189629. DelhinCr, Sharma Trade Links, 155, Shyam Colony, Near Panchayat Bhawan, Ballabgarh, Mob: 8447733807, Tel: 0129-4068299. **DELHINCR:** Haryana Agencies, Near Allahabad Bank, Nh-8, Delhi-jaipur Highway, Banipur Chowk, Bawal(Rewari)haryana, Mob: 9783011902, Tel: 01493-226319, Jmr Techserv India, H-7 1st Floor Guru Ram Dass Bhawan Community Centre, Ranjit Nagar, New Delhi, Pin: 110008, Mob: 9990119290, Tel: 011-45669290. Jyoti Sales Co, 3523/49a, balaji Market,gill Makim Baqa, Hazz Qazi Delhi, Pin: 110006, Mob: 9810330626, Tel: M/S Classic Pneumatics, Plot No : 01 Bata Flyover Nit Faridabad, Opposite Bata Showroom, Faridabad, Pin: 121001, Mob: 9811140218. Mahalakshmi Trading Corporation, Plot No 40/66b, Industrial Area, (Near Raj Gas Agency), Near Hardware Chowk, Faridabad, Pin: 121001, Mob: 9811547845. M/s Shri Ganpati Traders, Plot No/377/24, model Town (4marla) Near Gurudwara, Gurgaon-122001, Gurgaon, Pin: 122001, Mob: 9871502888, Tel: 0124 2320088. Shiva Machinery Tools, C-100, Sector-9, Noida, (Up) Noida, Pin: 201301, Mob: 9811162293, Tel: 5514862. **HIMACHAL PRADESH:** Chandan Industries, B.O. Opp. 4 Season Hotel, Pinjore Road, Near Bus Stand, Baddi, Himachal Pradesh, Pin: 177701, Mob: 9418021785 And 9418001785. Tel: 94180-01785. **JAMMU AND KASHMIR:** Bhagwati Sales Corporation, Main Road, Last Morth, Gandhi Nagar, Jammu, Pin: 180001, Mob: 9419182433, Tel: 0191-2452718. **PUNJAB:** Karan Enterprises, 101,anand Avenue, Old Jail, Road, Raqtan Singh Chowk, Amritsar, Pin: 147001, Mob: 9815882957. Jai Hind Trading Corporation, Old Bus Stand, Gt Road, Bhatinda. Bhatinda, Pin: 151001, Mob: 9879221000. D.P.Jagan & Sons, Co 46-47, Secno-28-c, Chandigarh, Haryana, Pin: 160002, Mob: 9876177441. Fairdeal Agencies, Nehru Garden Road, Near Aijt Press, Jalandhar, Pin: 144001, Mob: 9814665249. Shashi Industrial Enterprises, E.K. 117, Chowk Bhagat Singh, Near Gae, Jalandhar, Pin: 144001, Mob: 9876456782, Tel: 0181 5003030. Punjab, Ameja Machinery Store, Gill Road Ludhiana, Punjab, Pin: 141003, Mob: 9876300375, Tel: 0161-2537923. Guru Nanak Oxygen Gas Depot A-9, New Market, Opp. Railway Station, Ludhiana, Pin: 141008. Krishna Metals, Ambala By-pass Road, Near Samrala Chowk, Opp: Duggal Roadline, Ludhiana, Pin: 141003, Tel: 0161-2226258. Anand Tool Zone, D-137, Industrial Area, Phase - V, Mohali, Pin: 160055, Mob: 9814116449, Tel: 01722651274. Vikas Weld Plot No-257, industrial Area, Phase - I, Panchkula, Haryana, Pin: 134113, Mob: 921680168 And 921680167, Tel: 0172-2576437. Mohindra Bros. Oil Co., Dana Mandi, Phagwara, Pin: 144401, Mob: 9814533780, Tel: 01824 269082. Thukral Machinery Store, G.T. Road, Rajpura, Rajpura, Punjab, Pin: 140401, Mob: 9872049418, Tel: 9814210733. **RAJASTHAN:** S. S. Auto Agencies 4, Khandal Market, Ajmer, Pin: 305001, Mob: 9828053750, Tel: 1452424120. Haryana Iron Traders, Ram Ganj, Alwar, Pin: 301001, Mob: 9829215175. Atul Enterprises, Near Sikar Hotel, Hans Marg, S.C.Road, Jaipur, Rajasthan, Pin: 302001, Mob: 9829013905, Tel: 0141-2360327. Bhati Hardware House, Opp-hanwant School, Pal Road, Jodhpur (Raj), Jodhpur-342003, Pin: 342003, Mob: 9414722451 / 9414122770, Tel: 0291-2770506 / 0291-2770337. Segoj Power Tools, 1st Pal Puliya Near Govt. School, Main Pal Road Village Pal, Jodhpur, Pin: 342001, Mob: 9799233654, Tel: 0823-3994001. Usha Trading Company, Inside Sojati Gate, Jodhpur, Tel: 2642023. Power Tools & Services, 109 Paliwal Compound, Kota Rajasthan, Pin: 324007, Tel: 0744-2360829. Jagdamba Enterprises, Near Thandi Pali Ki Thadi, Agra Road, Sikandra Chouraya, Sikandara, Pin: 303303, Mob: 9414095522. Brij Machine Tools, Odaka Complex, Station Road, Sikar, Pin: 332001, Mob: 9887537307, Tel: 01572-253826. M.P.Traders 40, new Keshav Nagar, Roopasagar Road, Udaipur, Pin: 313001, Mob: 9414168109. Rajasthan Tools (Prop.diesels India), Kasturba Market, Town Hall Road, Udaipur, Pin: 313001, Tel: 0294-2419260. **UTTARPRADESH:** M P Abrasives, Shop # 19 Srikaxmi Plaza, Gandhinoad, Dehradun, Pin: 248001, Mob: 9837050196. Sharma Electricals, 1577 Vivekananda Nagar, Double Street, Ghaziabad, Pin: 201001, Mob: 8860602092. Cippo Traders Lalouche Road, kanpur, Uttar Pradesh, Pin: 208001, Mob: 9695887766. Magadh Industrial Company, Royal Vatika, Plot No 46, Flat No 5, 1st Floor, Ratanlal Nagar, Kanpur, Uttar Pradesh, Pin: 208022, Mob: 9415042109, Tel: 0512-2674635. Virat Enterprises, No. 122/230, Sarojini Nagar, Kanpur, Uttar Pradesh, Pin: 208012, Mob: 9839151747, Tel: 217881 / 221264. Yash Engineering Works, Rk-3 -Naya Gaun East(Barrow Market), Beside Kohli Light & Shine, Latou, Lucknow, Uttar Pradesh, Pin: 226018, Mob: 9415109785, Tel: 200694. Premier Machinery Store, Venus Cinema Building, Railway Road, Saharanpur, Pin: 247001, Tel: 2641663/3293755. Amit Enterprises, Ck No-52/14, sarwsati Katra, Rajada Waja, Varanasi, Pin: 221001, Mob: 9839040838. **ANDHRA PRADESH:** General Engineering, # 18-246, room No -2, Pinni Complex Opp Krishna Theatre, Ananthpur, Andhra Pradesh, Pin: 515001, Mob: 9849388650, Tel: 0854-235706. Gayathri Industrial Corporation 10c, Ushodaya Towers, Industrial Road, Shapuramgar, jeedinenmitla, Hyderabad, Andhra Pradesh, Pin: 500055, Mob: 9866669671, Tel: 040 65964671. Mega Home Improvement Pvt Ltd, #15-4-238/239, a,p.house, gowliguda Chaman, Hyderabad, Pin: 500012, Mob: 24652000, 6588591718, Tel: 9000355100. Oriental Engineering Corporation, 5-2-990, Nizam Shahi Road, Hyderabad, Andhra Pradesh, Pin: 500095, Mob: 9848029996, Tel: 040 460 056, 460 5319. S.V.Industrial & Marketing Services, 2-3-64/8, S.No-1 & 2, Sai Poomina, Opp-amberpet New Police Station, Hyderabad, Andhra Pradesh, Pin: 500013, Mob: 9391032617, Tel: 040-27424828. Sai Sales Corporation, No. 10-11-175/17-i, Fathenagar Main Road, Hyderabad, Pin: 500018, Tel: 3876877. Srinivasa Enterprises, 5-5-80/2nd Floor, Sri Srinivasa Commercial Complex, Beside Rao's Hotel Ranigunj, secunde Hyderabad, Pin: 500003, Mob: 9989039943, Tel: 040-66489943. Vrindavan Enterprises, Shop No - 113, meghana Complex, Opp- Andhra Bank, Balanagar, Hyderabad, Pin: 500037, Mob: 9391062607, Tel: 30906810. Balaji Mini Tools, Plot No. 1-9-1/2, Beside Venkateshwara Temple, Kushaiguda, Hyderabad, Pin: 500062, Mob: 924620399091, Tel: 040 2176663, Lakshmi Svaram Enterprises, #43-1-48, Opp: Idbi Bank, Main Road, Kakinda, Branch:sarpavaram Junction, Beside Police Station, Kakinda, Andhra Pradesh, Pin: 533001, Tel: 9848317859. Revathi Enterprises, D. No. 43-7-25, Old Post Office Str, Jagannadhapuram, Bida, Kakinda, Andhra Pradesh, Pin: 533003, Mob: 9848133585, Tel: 0884-2387328. City Engineering Company, Shop No-14,15,16, Sai Durga Towers, Ongole, Andhra Pradesh, Pin: 523001, Mob: 9848144919, Tel: 08592-221090. Srk Power Tools Corporation, Door No: 7-30-15, Opp:bata Show Room, Near Santhi, Main, Road Rajahmundry, Pin: 533101, Tel: 9986644555. Maharaaj Spares No. 42, Nethaji Road, Tirupati, Pin: 517501, Mob: 9440079249, Tel: 0877 2253426. Ganesh Trading Co., 12-10-46, Convent Street, P Box No 83, Vijayawada, Andhra Pradesh, Pin: 520001, Mob: 9849082241, Tel: 0866-425241 / 426401. Gopalakrishna Engineering Co, Door No 12-6-15, Hart Street, Tarapat, Vijayawada, Pin: 520001, Mob: 0866-2425942, Tel: 9848156713. Sri Shiridi Sai Enterprises, Door No 12-3-32, Peena Mahamad Street, Tarapat, Vijayawada, Pin: 520001, Mob: 0866-2426333, Tel: 9848139633. S B Enterprises, 28-16-14, Suryabagh, Visakhapatnam, Andhra Pradesh, Pin: 530020, Mob: 9440191723, Tel: 0891-2562208 / 2569917. Sri Ganesh Hardware & Electricals, No. 7-16-73, Old Gajuwaka Jn, Visakhapatnam, Andhra Pradesh, Pin: 530026, Mob: 9393100146, Tel: 0891 515524. Sri Sai Srinivasa Electricals, Door No.58-1-392, n.s.t.i.family Gat, Butchirajy Palem, visakha, Butchirajy Palem, Pin: 530027, Mob: 9885494398. **KARNATAKA:** Hindustan Tools, No-22, Kiadb Complex, Tvs Cross Peenya, Bangalore, Karnataka, Pin: 560002, Mob: 91 9341244149, Tel: 51271028. J V Marketing Corporation 1, 1st Floor, Kssidc Special, Plot No 19, Tvs Cross 1st Stage, Peenya Industrial Estate, Bangalore, Pin: 560058, Mob: 9741295446. Kshpra Engineering&Services, Fathima Eilidge, 16, cabin No 3 85 3rd Floor, 2nd Cross S.G Narayana Layout, Bangalore, Karnataka, Pin: 560027, Mob: 9886502905. Mini Sales And Tools Service, No.12, 1st Floor, r.k.banglue, 1st Cross, N.R.Road, Bangalore, Karnataka, Pin: 560002, Mob: 91 98450 36264, Tel: 26702375. New Bangalore Power Tools No-6374,first Floor, Muniyappa Complex, Opp.i.b.p.petrol Bunk, Jalahalli Cross, Bangalore, Karnataka, Pin: 560057, Mob: 9980013389, Tel: 25906050. Patel Trading Corporation, 1st Floor, No. 57/3, Sardar Patrapura Road, Bangalore, Karnataka, Pin: 560018, Mob: 98452 92883, Tel: 41247774. Vishal Enterprises I Floor, No.5 Mandi Veerappa Lane, S.J.P. Road Cross, Bangalore, Karnataka, Pin: 560002, Tel: 080-2236187. Vikrant Sales Corporation, Khanapur Road, Udaymang, Belgaum, Karnataka, Pin: 590008, Mob: 9480425252, Tel: 441256. City Tools Center, Ismail Complex, N H-17 Main Road, Bhatkal, Karnataka, Pin: 581320, Mob: 9448791748. Sagar Electricals, Shop No. 55 Cmc Complex, Bagalkot Cross, Bijapur, Karnataka, Pin: 586101, Mob: 9448440229, Tel: 08352-226374. A B Agencies Razak Building, Koppikar Road, Koppikar Road, Hubli, Karnataka, Pin: 580020, Mob: 990016001, Tel: 0836-2366812. Lakshmi Sales Corporation, Lakshmi Towers, Main Road,kulai, Manglore, Pin: 574196, Tel: 0824-2407836.

KERALA: Tool Tech Inc, Door No. 16/931 & 932b, Aradhana Tourist Home, Kallai Road, Calicut, Pin: 673001, Mob: 9388485464, Tel: 0495 4025071. Powerool Enterprises, 44/2133c, Freedom Road, Kallor, Kochi, Kerala, Pin: 682017, Mob: 9895405593, Tel: 0484-0447593. Tool World, 44/2708C Karuppally, Deshabhinikar Road, Kochi, Kerala, Pin: 682017, Mob: 9388485378, Tel: 0484-3295564/2409745. Vindia Enterprises, 39/3886, Ravipuram Road, Ernakulam, Cochin, Kerala, Pin: 682016, Mob: 9847219831, Tel: 0484-2356924. Kolar Mill Stores Pvt. Ltd., 18/1819 Kolar Buildings, Opp Police Station, Up Hill P.O. Mallapuram, Pin: 676505, Mob: 9497 32 00 00, Tel: 0483-2730603. Vulcan Metals, 17/327, Nh 47, Manappullikkav, Palakkad, Pin: 678013, Tel: 0491 2506200/2506300. Tool Mec, Xii/689/27, Mars Complex, Poothole Road, Thrissur, Kerala, Pin: 680004, Tel: 0487-2389739. **TAMIL NADU:** B. R. Enterprises, No. 147, Broadway, Chennai, Tamil Nadu, Pin: 600108, Mob: 9381071188, Tel: 044-42620709/42620710. Chennai Power Tools And Electricals, No.648, 1st Floor, Mth Road, Mannurpet Padi, Chennai, Pin: 600050, Mob: 9841402911, Tel: 044-26251663. K.S.Engineering Equipments, 16, Trunk Road, Poonamallee, Chennai, Pin: 600056, Mob: 9840986541, Tel: 044-26492223. M/s.royal Tools Agencies, Old.No.11, New.No.21, Errabalu Street, Chennai, Pin: 600 001, Mob: 044-2538 3048, Tel: 98841167366. Professional Power Tools Sales & Service, No 77/155, Broadway, Chennai, Pin: 600108, Mob: 9841186478, Tel: 044-64555872. Shrimma Power Tools, No. 13, Old Mahabalipuram Road, Kandanchavadi, Chennai, Tamil Nadu, Pin: 600096, Mob: 9884489709, Tel: 044-64534203. Sri Khatiyani Enterprises, H-24, Central Avenue, Korattur, Chennai, Tamil Nadu, Pin: 600080, Mob: 9841810789, Tel: 044-26873550/42878495. Aardwolf Engineering Co., No. 180 A/9, Dr. Nanjappa Road, Nsp Complex, Coimbatore, Coimbatore, Tamil Nadu, Pin: 641018, Mob: 9363101650, Tel: 0422-2301884/2380974. Orient Equipment & Services, P.B. No. 3795, Shop No G-5, V. R. Arcade 295, Dr. Nanjappa Road, Coimbatore, Tamil Nadu, Pin: 641018, Mob: 9842265222, Tel: 0422-2236432/2238507. Banu Tools, Plot No 7, Amaravathi Towers, Vasavi Street, near Kvb Bank, Nh 7, Bye Pass Road, Hosur, Pin: 635109, Mob: 9443242102, Tel: 04344-24102. Sri Balarampuram Agencies, No.100, t.k, nambi Street, Kanchipuram, Pin: 630501, Mob: 7200726026, Tel: 044-27223444. Sanker Sales Corporation, No. 270, West Masi Street, Madurai, Tamil Nadu, Pin: 625001, Mob: 9994135241, Tel: 0452-2341803. Sri Andal Agencies, 47/10e Devangapuram Extn St, Shevapet, Salem, Pin: 636002, Mob: 9362755919, Tel: 0427 2223718. Sri Andol Power Tools, No. 5, A Block, See Complex, Madurai Road, Trichy, Pin: 620008, Mob: 9944262656, Tel: 0431 4544271. **GOA:** Mech-tech Engineering Systems, G-2, Emerald Towers, M.G.Road, Opp State Bank Zonal Office, Panji, Goa, Pin: 403001, Mob: 9822122921, Tel: 0832-223601. S.K.Trading, Shop No 4 Esteve Apartment, Near Alua Hotel, Mercas, Panjim Pin: 862000, Mob: 9270143918. S.S.Hitech Engineering, Shop No-2, Laxoj Appis, Near Ktc Bus Stand, Vasco-da-Gama, Goa. Pin: 403802, Mob: 9822904784/9422743330, Tel: 0832-6483256. **GUJARAT:** Mark Engineering, No. A-13, Jay Raj Complex, opp B.P Petrol Pump, Sani Ni Chaw Chur Rusta, Odhav, Ahmedabad, Pin: 382415, Tel: 079-29092442. Rushabh Traders, Minia Chamber, Opp Syndicate Bank, Kadia Kuli, Relief Road, Ahmedabad, Pin: 380001, Mob: 9327070493, Tel: 079 22180265. Shivam Sales & Services, No. 28, Kalpesh Rang Upvan Soci, opp Vastrapur Railway Station, Bhoi Bhavani Mandir Road, vejalpur, Ahmedabad Pin: 380007, Tel: 079-69501111. Shree Maruti Tools, B/5, new Shivkripa Apartment, Opp, Agiyaras Mata Mandir, Nava, Ahmedabad, Gujarat, Pin: 380013, Mob: 9724313764 & 9426513764, Tel: 079-7643580/7. Shyam Trading 34, Green Villa, Nr. H.B. Kapadia School, Gurukul Road, Memnagar, Ahmedabad, Gujarat, Pin: 380052, Mob: 9825050794, Tel: 079 66522025. Chintan Electricals, Plot No-1006, gdc Estate, Ankleshwar, dist-bharuch, Pin: 393002, Mob: 9033533735. Khatri Engineering Company, D.B.Z. - S - 139, Near Pitman's Gas, Gandhidham, Gujarat, Pin: 370201, Mob: 9898250681, Tel: 02836-222921/236466. Jay Enterprise, Dhebar Road, Near Ashok Guest House, Rajkot, Pin: 360001, Mob: 9824456452, Tel: 0281-2236235. National Power Tools (Surat), Hq-4142, Rushabh Traders, Near Jain Temple, Adajan Patia, Rander Road, Surat, Pin: 395009, Mob: 9898032000, Soham Reparing Center, 11, rameshwar Society, Beside Rudraksh Residence, kapodra Crossing, Varucha Road Surat, Mob: 9898231287. Vikram Engineers, M.G.Road, No-4, Sanghavi House, Udyoggar, Udhana, Pin: 394210, Mob: 9427137657, Tel: 0261-2274025. Hariom Enterprise, C/1b 888/1, gdc, Makapur, Vadodra, Gujarat, Pin: 390001, Mob: 9974027579, Tel: 0265-6543678. B H Traders, No. C-37, Busy Bese Complex, Hanuma Mandir, Bhadkamor, G.I.D.C. Vapi, Pin: 396195, Mob: 9825803227, Tel: 0260-2450808. **MADHYA PRADESH:** Bhopal Tools, No. 64, Hamidia Road, Bhopal, Madhya Pradesh, Pin: 462001, Mob: 9826335611, Tel: 736173. Pioneer Marketing Services, 223, Shastri Market, 2nd Floor, Indore, Madhya Pradesh, Pin: 452007, Mob: 9826053800, Tel: 0731-2538007. Reliable Power Tools, #12 Jawahar Marg, near Patel Bridge, Shalimar Piazza, 1st Floor, shop No.9, Madhya Pradesh, Pin: 452007, Mob: 9426317352, Tel: 0731-2366352. Vaishno Enterprises, Birla Road, Kolgawan, Satna, Madhya Pradesh, Pin: 485001, Mob: 9425173350, Tel: 2514550. **MARAHASHTRA:** Datta Enterprises, N-16, Nimbalkar Road, Mid Industrial Area, Ahmednagar, Maharashtra, Pin: 414111, Mob: 9225300400/9225310081, Tel: 0241-6611310/6611310. R B Machinery, Malpura Chowk, Akola, Maharashtra, Pin: 444001, Mob: 9850280021, Tel: 0724-2424354. Machine Tools Centre, Safed Pool Andheri, Kuria Road, Next To Petrol Pump, Andheri, Mumbai, Pin: 400072, Mob: 9820827827. Spa Technical Services Pvt Ltd, 21-22 Navketan, Mahakali Caves Road Andheri (E), Mumbai, Pin: 400093, Mob: 9867259858. Unique Agencies, Marol Maroshi Road, Marol, Mumbai, Mumbai, Pin: 400059, Mob: 922295450. Aniket Enterprises, X-324, Near Hdcb Bank, Maharana Pratap Chowk, Balaji Nagar, Mide, Aurangabad, Pin: 431005, Mob: 9552769194, Tel: 0240-2563312. Padmavati Electricals, Opp. Ramanand Colony, Kranti Chowk, Aurangabad, Pin: 431005, Mob: 9823098763, Tel: 0240-2329033. Shaoo Sales & Services-Aurangabad, X-128, babaji Commercial Complex, Bajaj Nagar Mide, Wajal, Aurangabad, Pin: 431005, Mob: 9823466426/9028028763, Tel: 0240 2555171. Yash Vinayak Electrical, Shop No 9, Rishabh Apart-1, Near- Osmial English Academy School, Ostwal Empire, Boisar, Maharashtra, Pin: 401501, Tel: 8407989777. J B Machinery & Tools, Near St Joseph School, Botha Road, Buldhana, Pin: 443001, Mob: 9422881158, Tel: 07262-46159. Sadaguru Power Tools And Electrical, Kohinor Centre, Shivaji Chowk, Chakan, Pune, Pin: 410501, Mob: 9822351008, Tel: 02135-645361. Mistry Enterprises Near Prakash Talchis, Parola Road, Dhule, Maharashtra, Pin: 424003, Mob: 9422787930, Tel: 02562-234429. Vardhaman Machine Tools, Shop No 6, Old Manekhal Chawl, L.B.S Marg, Near Telephone Exch, Ghatkopar (W) Mumbai, Pin: 400086, Mob: 9820534952. Sapana Enterprises, Panchanga Factory To Shahpur Road Near Kothari Sizing, P O - Ganagan, Ichalkaranji, Maharashtra, Pin: 416116, Mob: 94271678843, Tel: 0230-2495157. S.P. Shah & Sons, Mutla Building, Near Natraj Cinema, Jalana, Maharashtra, Pin: 431203, Mob: 9422215827. Kaurenu Industrial Enterprises, No. 5, Laxmi Tower, Neri Naka, Jalgaon, Maharashtra, Pin: 425001, Mob: 9422780632, Tel: 0257-2227384. Shri Gajanan Electricals & Machiner, 327-A, Main Gate, Basement, New B.J.Market, Jalgaon, Maharashtra Pin: 422001, Mob: 9422184432, Tel: 0257-2224198. Mahavir Electricals, Shop No 8, Inside B.M.C Market, Khar (W), Mumbai, Pin: 400052, Mob: 9867060793. Sushito Enterprises, B.Under Ground - 1, Prabhakar Plaza, Station Road, Kolhapur, Maharashtra, Pin: 416001, Mob: 9422358000, Tel: 0231-667433. Yash Enterprises, 1446 Bc, Empire Tower, Shop No lg-1, Dasara Chowk, Laximpuri, Kolhapur, Maharashtra, Pin: 416002, Mob: 9422412411, Tel: 0231-644811. S D Traders, Jamdade Building, Behind Old Power House, Latur, Maharashtra, Pin: 413512, Mob: 9422071082, Tel: 02382-252127. Super Agencies, G Ward, Shop No 6, Guranunkanap opp Hsg Society, Lonawala, Maharashtra, Pin: 410401, Mob: 9823052516, Tel: 02114-273279. Anil Traders, Shop No 2 Paralkar Wadi, R.C Marg, Chembur Naka, Mumbai, Pin: 400071, Mob: 9322183201. Chaudhary Tools, 33-a, Jayendra Bhuvan, S.K.Bole Road, Dadar (W), Mumbai, Pin: 400028, Tel: 022-66625190. K.Z.Trading Co., 29/12, abid Manzil, 139, Nagdevi St, Mumbai, Mob: 9029024155. Manohar Electric Stores, 10, roshni Building, s.v.road, Oshiwara,jogeshwari (West), Mumbai, Maharashtra, Pin: 401002, Tel: 022-26784783. Nirav Traders, No. 42, Nagdevi Cross Lane, Mumbai, Maharashtra, Pin: 400003, Mob: 9820127192, Tel: 022-3428672/3422928. Raj Machine Tools, II Nd Floor, 71/73, Nagdevi Street, Mumbai, Maharashtra, Pin: 400003, Mob: 9323910798, Tel: 022-65213643/2035. S. A. Traders, 76, Nagdevi Cross Lane, Shop No 3, Mumbai, Maharashtra, Pin: 400003, Mob: 9870084598, Tel: 022-23400988. Shree Sidhinyakh Machine Tools, Shop No 1, Vishwa Mohini Building, Opp Kamla Nehru Shopping Centre, N.S Road , Mulund, Pin: 400080, Mob: 9594015345. Swastik Machine Tools P Ltd, Sambali Nagar, near Savli Hotel, Akurli Road, kandivli (E), Mumbai, Pin: 400101, Mob: 9892269974. Rathi Engineering Company, 31 A, Radke Layout, Opp- Saint Xaviers High School, Nagpur, Maharashtra, Pin: 440016, Mob: 9373107555, Tel: 07104-232221. Union Hardware Stores, Central Avenue, Darodkar Chowk, Near Itwari High School, Nagpur, Pin: 440002, Mob: 9971068950/9822564150, Tel: 2786920, 2777729. Essel Engineers, No.6/7, Khetwandi D, Near Donde Bridge, Untwadi, CIDCO, Nashik, Maharashtra, Pin: 422009, Mob: 9423093243. Messon Traders, No. 994, Main Road, Nashik, Nashik (M.S.), Pin: 422001, Mob: 09970166552, Tel: 0253 2507862. Vidad Engineering & Electricals, Mahadev Nagar Corner, Near Satpur Bus Stop, Satpur - Trimbak Road Satpur, Nashik, Pin: 422007, Mob: 9822049760, Tel: 0253 2363567, Fine Electrical Works, Shop No -3 janta Market, Plot No 3 & 4 ,Sec-23, Nr Sadguru Hotel, turbe, navi Mumbai, Navi Mumbai, Pin: 400705, Mob: 9322290574. New Bombay (Hardware) Traders Pvt, Plot No 107, Sector-23, Turbhe Service Industries, Near Janta Market, Vashi, Navi Mumbai, Pin: 400705, Mob: 9820127192, Tel: 022-6793977/27835529. Shree Ambica Machine Tools, Shop No 26, Shivaji Chowk, Osmanabad, Maharashtra, Pin: 413501, Mob: 9881096188, Tel: 0242-227281. Everest Enterprises, Sukhwani Nest, Shop No. 7, Vidhyani Nagar, Pimpri, Pune, Pin: 411018, Tel: 27433522. Faith Machinery Stores, Tip Top Bldg, Shop No-6&7, 550b, Nanapeth, Near Chacha Halwai Chowk, Laxmi Road, Pune, Pin: 411002, Tel: 020-26137868/26137663. K Z Trading Co., Shop No 2, Padamjee Palace, Bhawani Peth, Pune, Pin: 411042, Max Corporation, No. 95, Ganesh Peth, Laxmi Road, Dulya Maruti Chowk, Pune, Maharashtra, Pin: 411002, Mob: 9371006743, Tel: 020-6341647/6344945. Maharashtra, Ram Electricals, Shagun Chowk, Pimpri, Pune, Pin: 411017, Mob: 9850223068. Solanki Enterprises, No. 288b, Rasta Peth, Opp M.S.E.B, Near Sai Motors, Pune, Pin: 411011, Mob: 9822002976, Tel: 020 26102068. Superweld Sources Pvt Ltd., Near, Century Circle, Mid Bhosani, Pune, Maharashtra, Pin: 411026, Tel: 020-30681560. Tech Tools, 1 & 2, P.J. Chambers, Near Ambekar Statue, Pimpri, Pune, Pin: 411018, Mob: 9822040744, Tel: 020 27421967. Tool Max, "Maull" 738, Budhwar Peth, Ganesh Road, Nr. Phadke Hood, Pune, Maharashtra, Pin: 411002, Mob: 020 32319333. Arc Power Tools & Equipments, Off Chougule Complex, Kupwad Road, Near Railway Gate, Sangli, Maharashtra, Pin: 416415, Mob: 9423871513, Tel: 0233-302185. Shree Sales And Services, Plot No. P-90, Chakan Oil Mill Road, M.I.D.C. Sangli, Maharashtra, Pin: 416436, Mob: 9423871648, Tel: 0233-2645005/5616582. M P Engineers, Shop No -7, Jiwahla Housing Society, Near Bombay Restaurant, Old M.I.D.C., Satara, Maharashtra, Pin: 415001, Mob: 9822637283. New Maharashtra Traders, No. 184 B/1c, Ravipur Peth, Pawai Naka, Satara, Maharashtra, Pin: 415002, Mob: 9422033399, Tel: 02162-35605. Madan J. Dalvi, Gala No 7-1.v.complex, Ramlih Chowk, Railway Line, Solapur, Maharashtra, Pin: 413001, Mob: 9422068351, Tel: 0217-2727051. Siddhanta Sales & Services, No. 64, Jobbhavi Peth, Solapur, Pin: 413002, Mob: 9423066906, Tel: 0217 2729911. Nune Textile Engineering Industry, Plot No. 65, Nagane Nagar, Behind Mahavir Tea Company, Kondh-413004, Konadh, Solapur, Pin: 413007, Mob: 9823112275, Tel: 0217-622500. Sheela Power Tools, Shop No 4, Bhanu Nagar, Dombivli East, Thane, Mob: 9987209787. Super Sales & Services, Monalisa Bldg, Shop No. 5, Harinivas Circle, Thane, Thane, Pin: 400602, Mob: 9892375131, Tel: 022-25386845.