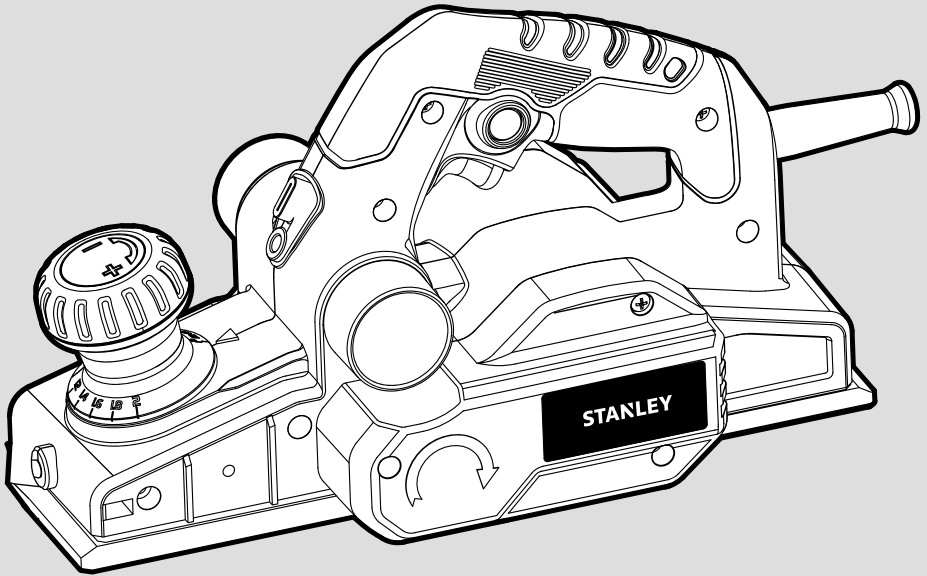


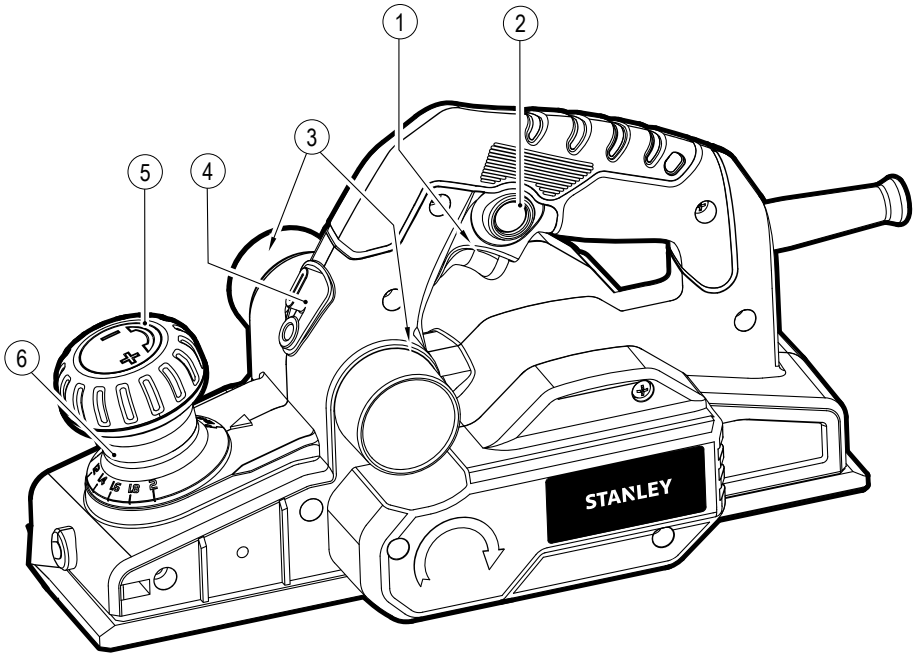
STANLEY

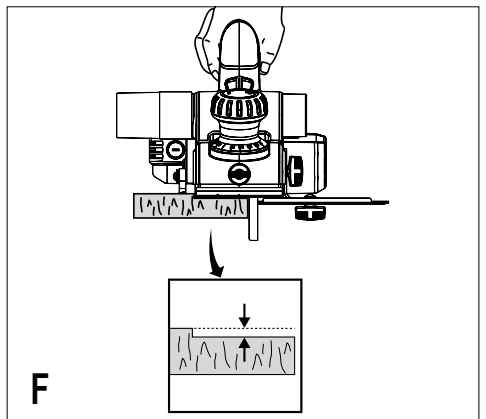
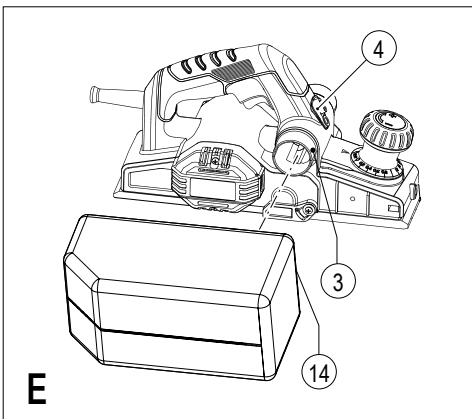
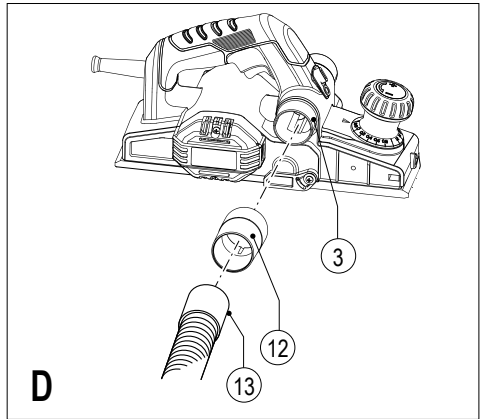
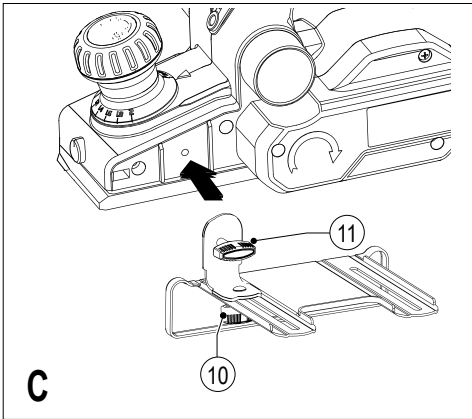
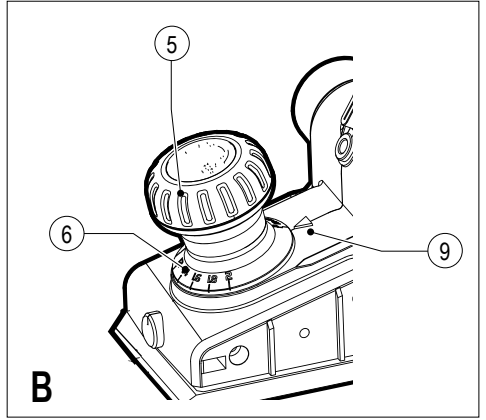
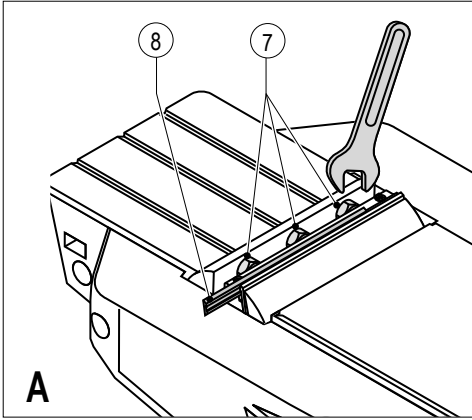


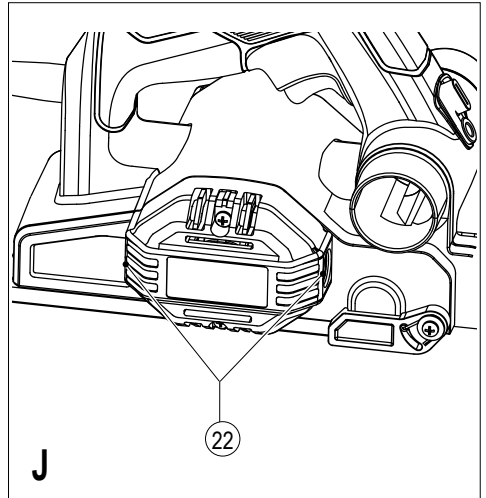
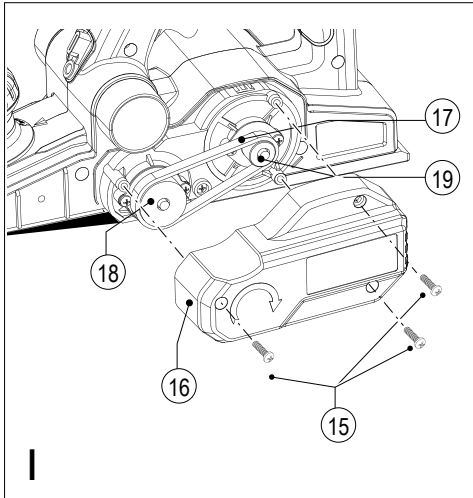
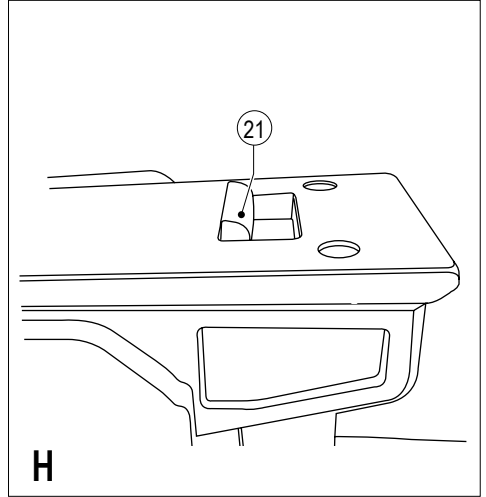
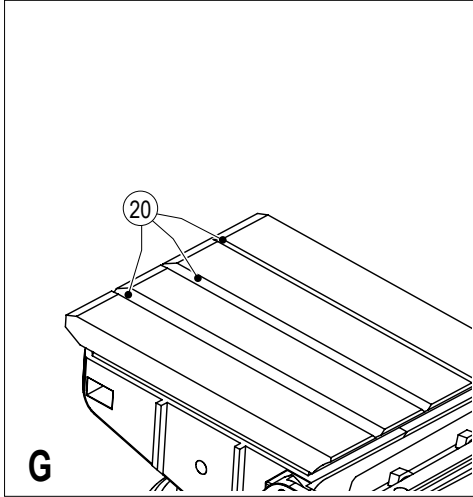
STPP7502

English

Page 5







Intended use

Your STANLEY planer has been designed for planing wood, wood products and plastics. The tool is intended for hand-held use. This tool is intended for consumer use only.

Safety instructions

General power tool safety warnings



Warning! Read all safety warnings and all instructions. Failure to follow the warnings and instructions listed below may result in electric shock, fire and/or serious injury.

Save all warnings and instructions for future reference.

The term "power tool" in all of the warnings listed below refers to your mains operated (corded) power tool or battery operated (cordless) power tool.

1. Work area safety

- a. **Keep work area clean and well lit.** Cluttered or dark areas invite accidents.
- b. **Do not operate power tools in explosive atmospheres, such as in the presence of flammable liquids, gases or dust.** Power tools create sparks which may ignite the dust or fumes.
- c. **Keep children and bystanders away while operating a power tool.** Distractions can cause you to lose control.

2. Electrical safety

- a. **Power tool plugs must match the outlet. Never modify the plug in any way. Do not use any adapter plugs with earthed (grounded) power tools.** Unmodified plugs and matching outlets will reduce risk of electric shock.
- b. **Avoid body contact with earthed or grounded surfaces such as pipes, radiators, ranges and refrigerators.** There is an increased risk of electric shock if your body is earthed or grounded.
- c. **Do not expose power tools to rain or wet conditions.** Water entering a power tool will increase the risk of electric shock.
- d. **Do not abuse the cord. Never use the cord for carrying, pulling or unplugging the power tool. Keep cord away from heat, oil, sharp edges or moving parts.** Damaged or entangled cords increase the risk of electric shock.

- e. **When operating a power tool outdoors, use an extension cord suitable for outdoor use.** Use of a cord suitable for outdoor use reduces the risk of electric shock.
 - f. **If operating a power tool in a damp location is unavoidable, use a residual current device (RCD) protected supply.** Use of an RCD reduces the risk of electric shock.
- ### 3. Personal safety
- a. **Stay alert, watch what you are doing and use common sense when operating a power tool. Do not use a power tool while you are tired or under the influence of drugs, alcohol or medication.** A moment of inattention while operating power tools may result in serious personal injury.
 - b. **Use personal protective equipment. Always wear eye protection.** Protective equipment such as dust mask, non-skid safety shoes, hard hat, or hearing protection used for appropriate conditions will reduce personal injuries.
 - c. **Prevent unintentional starting. Ensure the switch is in the off-position before connecting to power source and/or battery pack, picking up or carrying the tool.** Carrying power tools with your finger on the switch or energising power tools that have the switch on invites accidents.
 - d. **Remove any adjusting key or wrench before turning the power tool on.** A wrench or a key left attached to a rotating part of the power tool may result in personal injury.
 - e. **Do not overreach. Keep proper footing and balance at all times.** This enables better control of the power tool in unexpected situations.
 - f. **Dress properly. Do not wear loose clothing or jewellery. Keep your hair, clothing and gloves away from moving parts.** Loose clothes, jewellery or long hair can be caught in moving parts.
 - g. **If devices are provided for the connection of dust extraction and collection facilities, ensure these are connected and properly used.** Use of dust collection can reduce dust-related hazards.

4. Power tool use and care

- a. **Do not force the power tool. Use the correct power tool for your application.** The correct power tool will do the job better and safer at the rate for which it was designed.
- b. **Do not use the power tool if the switch does not turn it on and off.** Any power tool that cannot be controlled with the switch is dangerous and must be repaired.
- c. **Disconnect the plug from the power source and/or the battery pack from the power tool before making any adjustments, changing accessories, or storing power tools.** Such preventive safety measures reduce the risk of starting the power tool accidentally.
- d. **Store idle power tools out of the reach of children and do not allow persons unfamiliar with the power tool or these instructions to operate the power tool.** Power tools are dangerous in the hands of untrained users.
- e. **Maintain power tools. Check for misalignment or binding of moving parts, breakage of parts and any other condition that may affect the power tools operation. If damaged, have the power tool repaired before use.** Many accidents are caused by poorly maintained power tools.
- f. **Keep cutting tools sharp and clean.** Properly maintained cutting tools with sharp cutting edges are less likely to bind and are easier to control.
- g. **Use the power tool, accessories and tool bits etc., in accordance with these instructions, taking into account the working conditions and the work to be performed.** Use of the power tool for operations different from those intended could result in a hazardous situation.

5. Service

- a. **Have your power tool serviced by a qualified repair person using only identical replacement parts.** This will ensure that the safety of the power tool is maintained.

Additional power tool safety warnings



Warning! Additional safety warnings for planers

- **Hold the power tool by insulated gripping surfaces only, because the cutter may contact its own cord.** Cutting a "live" wire may make exposed metal parts of the power tool "live" and could give the operator an electric shock.
- **Use clamps or another practical way to secure and support the workpiece to a stable platform.** Holding the work by your hand or against the body leaves it unstable and may lead to loss of control.
- **Wait for the cutter to stop before setting the tool down.** An exposed rotating cutter may engage the surface leading to possible loss of control and serious injury.
- **Keep the cutter sharp.** Dull or damaged cutters may cause the planer to swerve or stall under pressure. Always use the appropriate type of cutter for the power tool.
- Do not touch the workpiece or the cutter immediately after operating the tool. They can become very hot.
- Remove all nails and metal objects from the workpiece before planing.
- Always hold the tool with both hands and by the handles provided.
- Immediately disconnect the cable from the mains if it is damaged or cut.

Warning! Contact with, or inhalation of dusts arising from planing applications may endanger the health of the operator and possible bystanders. Wear a dust mask specifically designed for protection against dust and fumes and ensure that persons within or entering the work area are also protected.

- This tool is not intended for use by persons (including children) with reduced physical, sensory or mental capabilities, or lack of experience and knowledge, unless they have been given supervision or instruction concerning use of the appliance by a person responsible for their safety. Children should be supervised to ensure that they do not play with the appliance.

- The intended use is described in this instruction manual. The use of any accessory or attachment or performance of any operation with this tool other than those recommended in this instruction manual may present a risk of personal injury and/or damage to property.

Safety of others

- This appliance is not intended for use by persons (including children) with reduced physical, sensory or mental capabilities, or lack of experience and knowledge, unless they have been given supervision or instruction concerning use of the appliance by a person responsible for their safety.
- Children should be supervised to ensure that they do not play with the appliance.

Residual risks

Additional residual risks may arise when using the tool which may not be included in the enclosed safety warnings. These risks can arise from misuse, prolonged use etc.

Even with the application of the relevant safety regulations and the implementation of safety devices, certain residual risks can not be avoided. These include:

- Injuries caused by touching any rotating/moving parts.
- Injuries caused when changing any parts, blades or accessories.
- Injuries caused by prolonged use of a tool. When using any tool for prolonged periods ensure you take regular breaks.
- Impairment of hearing.
- Health hazards caused by breathing dust developed when using your tool (example:- working with wood, especially oak, beech and MDF.)

Vibration

The declared vibration emission values stated in the technical data and the declaration of conformity have been measured in accordance with a standard test method provided by EN 60745 and may be used for comparing one


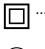





tool with another. The declared vibration emission value may also be used in a preliminary assessment of exposure.

Warning! The vibration emission value during actual use of the power tool can differ from the declared value depending on the ways in which the tool is used. The vibration level may increase above the level stated.

When assessing vibration exposure to determine safety measures required by 2002/44/EC to protect persons regularly using power tools in employment, an estimation of vibration exposure should consider, the actual conditions of use and the way the tool is used, including taking account of all parts of the operating cycle such as the times when the tool is switched off and when it is running idle in addition to the trigger time.

Labels on tool

The label on your tool may include the following symbols:

	Read Instructions Manual	Hz Hertz		Class II Construction
	Use Eye Protection	W Watts		Earthing Terminal
	Use Ear Protection	min minutes		Safety Alert Symbol
		 Alternating Current		Revolutions or Reciprocation per minute
		===== Direct Current		
V Volts		n ₀ No-Load Speed		
A Amperes				


Position of date barcode

The Date Code, which also includes the year of manufacture, is printed into the housing.

Example:

2014 XX JN
Year of manufacturing

Electrical safety

 This tool is double insulated; therefore no earth wire is required. Always check that the power supply corresponds to the voltage on the rating plate.

- If the supply cord is damaged, it must be replaced by the manufacturer or an authorised Black & Decker Service Centre in order to avoid a hazard.

Features

This tool includes some or all of the following features.

1. On/off switch
2. Lock-off button
3. Shavings discharge outlet
4. Shavings discharge outlet selector
5. Planing depth adjustment knob
6. Planing depth graduation

Assembly

Warning! Before assembly, make sure that the tool is switched off and unplugged.

Replacing the cutting blades (fig. A)

The cutting blades provided with this tool are reversible. Replacement cutting blades can be obtained from your local retailer.

Removing

- Loosen the bolts (7) using the spanner supplied.
- Slide the blade (8) out of the holder.
- Reverse the blade so that the unused side comes in position. If both sides are worn, the blade must be replaced.

Fitting

- Slide the blade into the holder until it is against the end stop.
- Tighten the bolts using the spanner supplied.

Warning! Always replace both cutters.

Adjusting the depth of cut (fig. B)

The depth of cut is indicated by the marking (9). The setting range can be read from the graduation (6).

- Turn the planing depth adjustment knob (5) to the required depth of cut.
- Turn the knob to the 'P' position whenever the tool is not in use.

Fitting and removing the parallel fence (fig. C)

The parallel fence is used to for optimum control on narrow workpieces.

- Thread the knob (11) into the hole on the side of the planer and securely tighten.
- Loosen the parallel fence adjustment knob (10).
- Slide the parallel fence into the desired position.
- Securely tighten the parallel fence adjustment knob.

Note: The parallel fence should be below the planer when installed correctly.

- To remove the parallel fence proceed in reverse order.

Connecting a vacuum cleaner to the tool (fig. D)

An adaptor is required to connect a vacuum cleaner or dust extractor to the tool. The adaptor can be purchased from your local STANLEY retailer.

- Slide the adaptor (12) over the shavings discharge outlet (3).
- Connect the vacuum cleaner hose (13) to the adaptor.

Fitting the shavings collection bag (fig. E)

The shavings collection bag is particularly useful when working in confined spaces.

- Slide the connecting plate (14) of the bag over either side of the shavings discharge outlet (3).
- To prevent chips from coming out opposite side of shavings discharge outlet, move the shavings discharge outlet selector (4) to the opposite side from the bag.

Emptying the shavings collection bag

The shavings collection bag should be emptied regularly while using it to prevent blocking.

- Unzip the bag and empty it before continuing.

Use

Warning! Let the tool work at its own pace. Do not overload.

- Adjust the depth of cut.
- If necessary, fit and adjust the parallel fence.

Switching on and off

Switching on

- Keep the lock-off button (2) depressed and press the on/off switch (1).
- Release the lock-off button.

Switching off

- Release the on/off switch.

Planing

- Hold the tool with the nose piece of the shoe resting on top of the workpiece surface.
- Switch the tool on.
- Move the tool steadily forward to perform the cutting stroke.
- Switch the tool off after the stroke has been completed.

Rebating (fig. F)

- Fit and adjust the parallel fence.
- Proceed as for planing.

Chamfering edges (fig. G)

The V-groove in the nose piece of the shoe enables you to chamfer edges at 45°, 30° and 15° angles.

- Hold the tool at an angle with the desired groove (20) around the edge of the workpiece and perform the cutting stroke.

Parking rest (fig. H)

Your planer is equipped with a parking rest (21) that automatically lowers into place when the tool is lifted from the work surface. When planing, the parking foot raises as the tool is pushed forward. When the parking foot is lowered, the planer can set on the work surface without the blade touching.

Hints for optimum use

- Move the tool along the grain of the wood.
- If the grain is cross or curly, or if the workpiece material is a hard type of wood, adjust the depth of cut to take only a very thin shaving at each pass and take several passes to achieve the desired result.
- To keep the tool in a straight line, press down the front of the tool at the start, and press down the back of the tool at the end of the cutting stroke.

Accessories

The performance of your tool depends on the accessory used. STANLEY and Piranha accessories are engineered to high quality standards and designed to enhance the performance of your tool. By using these accessories you will get the very best from your tool.

The following types of cutting blades can be obtained from your local retailer:

- Tungsten carbide tipped reversible cutting blades (part no. X35007, supplied per pair)
- High-speed steel reversible cutting blades (part no. X24192-XJ11, supplied per pair)

Maintenance

Your tool has been designed to operate over a long period of time with a minimum of maintenance. Continuous satisfactory operation depends upon proper tool care and regular cleaning.

Warning! Before performing any maintenance, switch off and unplug the tool.

- Regularly clean the ventilation slots in your tool using a soft brush or dry cloth.
- Regularly clean the motor housing using a damp cloth. Do not use any abrasive or solvent-based cleaner.

Replacing the drive belt (fig. I)

- Loosen the screws (15) and remove the cover (16).
- Remove the old drive belt.
- Place the new belt (17) over the pulleys. Place the belt over the large pulley (18) first, then over the small pulley (19), whilst manually rotating the belt steadily.
- Put the cover back in place and tighten the screws.

Motor brush inspection and replacement (fig. J)

Brushes should be regularly inspected for wear.

- Remove brush cap (22). The brushes should slide freely in brush box. If brushes are worn down to .3" (8mm) they should be replaced.

To reinstall, push new brush back into brush box. If replacing existing brush, maintain same orientation as when removed. Replace the brush cap (do not overtighten).

Mains Plug Replacement

If a new mains plug needs to be fitted:

- Safely dispose of the old plug.
- Connect the brown lead to the live terminal of the new plug.
- Connect the blue lead to the neutral terminal.
- If the product is class I (earthed), connect the green / yellow lead to the earth terminal.

Warning! If your product is class II double insulated (only 2 wires in the cord set), no connection is to be made to the earth terminal.

Follow the fitting instructions supplied with good quality plugs.

Any replacement fuse must be of the same rating as the original fuse supplied with the product.

Technical Data

Specification	STPP7502	
Input voltage	Vac	220-240
Power input	W	750
No-load speed	min-1	16,500
Planing width	mm	82
Planing depth	mm	2.0
Rebating depth	mm	12
Weight	kg	2.9

Protecting the environment



Separate collection. This product must not be disposed of with normal household waste.

Should you find one day that your Stanley product needs replacement, or if it is of no further use to you, do not dispose of it with household waste. Make this product available for separate collection.



Separate collection of used products and packaging allows materials to be recycled and used again.

Re-use of recycled materials helps prevent environmental pollution and reduces the demand for raw materials.

Local regulations may provide for separate collection of electrical products from the household, at municipal waste sites or by the retailer when you purchase a new product. Stanley provides a facility for the collection and recycling of Stanley products once they have reached the end of their working life. To take advantage of this service please return your product to any authorised repair agent who will collect them on our behalf.

You can check the location of your nearest authorised repair agent by contacting your local Stanley office at the address indicated in this manual. Alternatively, a list of authorised Stanley repair agents and full details of our after-sales service and contacts are available on the Internet at: www.2helpU.com

One years full warranty

If your STANLEY product becomes defective due to faulty materials or workmanship within 12 months from the date of purchase, STANLEY guarantees to replace all defective parts free of charge or – at our discretion – replace the unit free of charge provided that:

- The product has not been misused and has been used in accordance with the instruction manual.
- The product has been subject to fair wear and tear;
- Repairs have not been attempted by unauthorised persons;
- Proof of purchase is produced.
- The STANLEY product is returned complete with all original components

If you wish to make a claim, contact your seller or check the location of your nearest authorised STANLEY repair agent in the STANLEY catalogue or contact your local STANLEY office at the address indicated in this manual. A list of authorised STANLEY repair agents and full details of our after sales service is available on the internet at: www.stanleytools.com

Names & Addresses for STANLEY Service Concessionaries - INDIA

ASSAM: Arun Machine And Tools, A.T.Road, Near Rupshree Cinema, Tokohari, Guwahati, Assam, Pin: 781001, Mob: 9435118754, Tel: 2591868. Bagaria Tools And Hardware, Near Hotel Vishwaratna, At Road, Guwahati, Assam, Pin: 781001, Mob: 9435011008/9864077172, Tel: 2511173. Vinayak Tools And Machinery, A-1, Mangal Ram Tower, Opposite Police Reserve, A.T.Road, Guwahati, Assam, Pin: 781001, Mob: 9435049234. Assam Machine Tools, Gar-ali, Jorhat, Guwahati, Assam, Pin: 785001, Mob: 9435050699, Tel: 2321607. Shyam Machinery And Tools, A.C. Plaza, N.B.Road (Near Ananta Cinema), Tezpur, Assam, Pin: 784001, Mob: 9435081917, Tel: 03712-230142. **BHAR:** Jai Ambey Traders, Ramna Road, Near Rama Bhavan, P.S.-civil Lane, P.O.- Gaya, Bihar, Pin: 823001, Mob: 9431224989. **CHATTISGARH:** Agrawal Motors, Opp Punjab National Bank, Transport Nagar, Korba, Pin: 495677, Mob: 07759245553, Tel: 9893222761. V. M. Enterprises, Millennium Plaza, First Floor-31, Banstal G E Road, Raipur, Pin: 492001, Mob: 9826136099, Tel: 0771-4280808. **JHARKHAND:** Sigma Enterprises, Sarahlaha Main Road, Near Ajay Talkies, Dhanbad, Bihar, Pin: 828127, Mob: 9431187803, Tel: 206253. Industrial Tools & Equipments, S Type Chowk, Main Road, Adityapur, Jamshedpur, West Bengal, Pin: 831013, Mob: 9431349848, Tel: 0657-2383282. Mangilal Rungta, P.O.Jugsalai, Jamshedpur, Jharkhand, Jamshedpur, Pin: 831006, Mob: 9334804626, Tel: 0657-423738. Unica Enterprises, Ram Road Near Tulsi Bhawan, 2nd Floor, Diagonal Road, Bistupur, Jamshedpur, Pin: 831001, Mob: 8292309050, Tel: 0657-2429043. Industrial Tools Agency, Dr. Fataullah Road, Ranchi, Jharkhand, Pin: 834001, Mob: 9334706264, Tel: 0651-2206712. Ranchi Metal Supply Co., S.N.Ganguly Road, Ranchi, Jharkhand, Pin: 834001, Mob: 9431174908, Tel: 0651-200066. **ORISSA:** Utkal Power Tools & Sales, Shop No 121, anand Plaza, Lakshmi Sagar Square, Bhubaneswar, Pin: 751006, Mob: 9437033867, Tel: 0674-2571079. M.R.Hydro Electric Co(Asc), Nua Patna, Buxi Bazar, Cuttack, Cuttack, Pin: 754001, Mob: 9337887000. Subham Enterprises, No. 41, Tainigini Market, Rourkela, Orissa, Pin: 769004, Mob: 9437041443, Tel: 0661-440 1443. **WEST BENGAL:** City Hardware, Nachan Road, Benachity, Durgapur, West Bengal, Pin: 713213, Mob: 9832150581, Tel: 0343-2583831. Cutwell Tools, Below Wbsef Office, Howrah Amta Road, Dasmagar, Howrah, West Bengal, Pin: 711105, Mob: 9830057455, 9330034464, Tel: 6530670. Bardia Trading Co. No. 17, Princep Street, Kolkata, West Bengal, Pin: 700072, Mob: 9831013176, 9831022454, Tel: 2373065. Machinery & Tools (India) 24, netaji Subhas Road, Kolkata, West Bengal, Pin: 700001, Mob: 9830052968, Tel: 033-2221-3840, S.M.B Corporation, No. 218, Old China Bazar Street, Kolkata, Pin: 700001, Mob: 9803331752, Tel: 2222406066. Subol Dutt & Sons Pvt. Ltd., No. 13, Barbourne Road, Kolkata, West Bengal, Pin: 700001, Mob: 9813189629. DelhinCr, Sharma Trade Links, 155, Shyam Colony, Near Panchayat Bhawan, Ballabgarh, Mob: 8447733807, Tel: 0129-4068299. **DELHINCR:** Haryana Agencies, Near Allahabad Bank, Nh-8, Delhi-jaipur Highway, Banipur Chowk, Bawal(Rewari)haryana, Mob: 9783011902, Tel: 01493-226319, Jmr Techserv India, 7-11 First Floor Guru Ram Dass Bhawan Community Centre, Ranjit Nagar, New Delhi, Pin: 110008, Mob: 9990119290, Tel: 011-45669290. Jyoti Sales Co, 3523/49a, balaji Market,gill Hakim Baqa, Hazi Qazi Delhi, Pin: 110006, Mob: 9810330626, Tel: 9810330626, No. 15 Classic Promoters, Plot No : 01 Bata Flyover Nit Faridabad, Opposite Bata Showroom, Faridabad, Pin: 121001, Mob: 9811140218. Mahalakshmi Trading Corporation, Plot No 40/66b, Industrial Area, (Near Raj Gas Agency), Near Hardware Chowk, Faridabad, Pin: 121001, Mob: 9811547845. Ms Shri Ganpati Traders, Plot No/377/24, model Town (4marla) Near Gurudwara, Gurgaon-122001, Gurgaon, Pin: 122001, Mob: 9871502888, Tel: 0124 2320088. Shiva Machinery Tools, C-100, Sector-9, Noida, (Up) Noida, Pin: 201301, Mob: 9811162293, Tel: 5514862. **HIMACHAL PRADESH:** Chandan Industries, B.O. Opp. 4 Season Hotel, Pinjore Road, Near Bus Stand, Baddi, Himachal Pradesh, Pin: 177701, Mob: 9418021785 And 9418001785. Tel: 94180-01785. **JAMMU AND KASHMIR:** Bhagwati Sales Corporation, Main Road, Last Morth, Gandhi Nagar, Jammu, Pin: 180001, Mob: 9419182433, Tel: 0191-2452718. **PUNJAB:** Karan Enterprises, 101, anand Avenue, Old Jail, Road, Raqtan Singh Chowk, Amritsar, Pin: 147001, Mob: 9815882957. Jai Hind Trading Corporation, Old Bus Stand, Gt Road, Bhatinda. Bhatinda, Pin: 151001, Mob: 9879221000. D.P.Jagan & Sons, Co 46-47, Secno-28-c, Chandigarh, Haryana, Pin: 160002, Mob: 9876177441. Fairdeal Agencies, Nehru Garden Road, Near Ajjit Press, Jalandhar, Pin: 144001, Mob: 9814665249. Shashi Industrial Enterprises, E.K. 117, Chowk Bhagat Singh, Near Gaur, Jalandhar, Pin: 144001, Mob: 9876456782, Tel: 0181 5003030. Punjab, Ameja Machinery Store, Gill Road Ludhiana, Punjab, Pin: 141003, Mob: 9876300375, Tel: 0161-2537923. Guru Nanak Oxygen Gas Depot A-9, New Market, Opp. Railway Station, Ludhiana, Pin: 141008. Krishna Metals, Ambala By-pass Road, Near Samrala Chowk, Opp: Duggal Roadline, Ludhiana, Pin: 141003, Tel: 0161-2226258. Anand Tool Zone, D-137, Industrial Area, Phase - V, Mohali, Pin: 160055, Mob: 9814116449, Tel: 01722651274. Vikas Weld Plot No-257, industrial Area, Phase - I, Panchkula, Haryana, Pin: 134113, Mob: 921680168 And 921680167, Tel: 0172-2576437. Mohindra Bros. Oil Co., Dana Mandi, Phagwara, Pin: 144401, Mob: 9814533780, Tel: 01824 269082. Thukral Machinery Store, G.T. Road, Rajpura, Rajpura, Punjab, Pin: 140401, Mob: 9872049418, Tel: 9814210733. **RAJASTHAN:** S. S. Auto Agencies 4, Khandal Market, Ajmer, Pin: 305001, Mob: 9828053750, Tel: 1452424120. Haryana Iron Traders, Ram Ganj, Alwar, Pin: 301001, Mob: 9829215175. Atul Enterprises, Near Sikar Hotel, Hans Marg, S.C.Road, Jaipur, Rajasthan, Pin: 302001, Mob: 9829013905, Tel: 0141-2360327. Bhati Hardware House, Opp-hanwant School, Pal Road, Jodhpur (Raj), Jodhpur-342003, Pin: 342003, Mob: 9414722451 / 9414122770, Tel: 0291-2770506 / 0291-2770337. Sejal Power Tools, 1st Pal Pullya Near Govt. School, Main Pal Road Village Pal, Jodhpur, Pin: 342001, Mob: 9799233654, Tel: 0823-3994001. Usha Trading Company, Inside Sojati Gate, Jodhpur, Tel: 2642023. Power Tools & Services, 109 Paliwal Compound, Kota Rajasthan, Pin: 324007, Tel: 0744-2360829. Jagdamba Enterprises, Near Thandi Pali Ki Thadi, Agra Road, Sikandra Chouraya, Sikandra, Pin: 303303, Mob: 9414095522. Brij Machine Tools, Odaka Complex, Station Road, Sikar, Pin: 332001, Mob: 9887537307, Tel: 01572-253826. M.P.Traders 40, new Keshav Nagar, Roopasagar Road, Udaipur, Pin: 313001, Mob: 9414168109. Rajasthan Tools (Prop.diesels India), Kasturba Market, Town Hall Road, Udaipur, Pin: 313001, Tel: 0294-2419260. **UTTARPRADESH:** M P Abrasives, Shop # 19 Srikaxmi Plaza, Gandhinoad, Dehradun, Pin: 248001, Mob: 9837050196. Sharma Electricals, 1577 Vivekananda Nagar, Double Street, Ghaziabad, Pin: 201001, Mob: 8860602092. Cipro Traders Lalouche Road, kanpur, Uttar Pradesh, Pin: 208001, Mob: 9695887766. Magadh Industrial Company, Royal Vatika, Plot No 46, Flat No 5, 1st Floor, Ratanlal Nagar, Kanpur, Uttar Pradesh, Pin: 208022, Mob: 9415042109, Tel: 0512-2674635. Virat Enterprises, No. 122/230, Sarojini Nagar, Kanpur, Uttar Pradesh, Pin: 208012, Mob: 9839151747, Tel: 217881 / 221264. Yash Engineering Works, Rk-3 - Naya Gaun East(Barrow Market), Beside Kohli Light & Shine, Latou, Lucknow, Uttar Pradesh, Pin: 226018, Mob: 9415109785, Tel: 200694. Premier Machinery Store, Venus Cinema Building, Railway Road, Saharanpur, Pin: 247001, Tel: 2641663/3293755. Amit Enterprises, Ck No-52/14, sarwsati Katra, Rajada Waja, Varanasi, Pin: 221001, Mob: 9839040838. **ANDHRA PRADESH:** General Engineering, # 18-246, room No -2, Pinni Complex Opp Krishna Theatre, Ananthpur, Andhra Pradesh, Pin: 515001, Mob: 9849388650, Tel: 0854-235706. Gayathri Industrial Corporation 10c, Ushodaya Towers, Industrial Road, Shapuramgar, jeedimemlia, Hyderabad, Andhra Pradesh, Pin: 500055, Mob: 9866669671, Tel: 040 65964671. Mega Home Improvement Pvt Ltd, #15-4-238/239, a,p.house, gowliguda Chaman, Hyderabad, Pin: 500012, Mob: 24652000, 6588591718, Tel: 9000355100. Oriental Engineering Corporation, 5-2-990, Nizam Shahi Road, Hyderabad, Andhra Pradesh, Pin: 500095, Mob: 9848029996, Tel: 040 460 056, 460 5319. S.V.Industrial & Marketing Services, 2-3-64/8, S.No-1 & 2, Sai Poomina, Opp-amberpet New Police Station, Hyderabad, Andhra Pradesh, Pin: 500013, Mob: 9391032617, Tel: 040-27424828. Sai Sales Corporation, No. 10-11-175/17-i, Fathenagar Main Road, Hyderabad, Pin: 500018, Tel: 3876877. Srinivasa Enterprises, 5-5-80/2nd Floor, Sri Srinivasa Commercial Complex, Beside Rao's Hotel Ranigunj, secunde Hyderabad, Pin: 500003, Mob: 9989039943, Tel: 040-66489943. Vrindavan Enterprises, Shop No - 113, meghana Complex, Opp- Andhra Bank, Balanagar, Hyderabad, Pin: 500037, Mob: 9391062607, Tel: 30906810. Balaji Mini Tools, Plot No. 1-9-1/2, Beside Venkateshwara Temple, Kushaiguda, Hyderabad, Pin: 500062, Mob: 9246203990/91, Tel: 040 2716663, Lakshmi Svaram Enterprises, #43-1-48, Opp: Idbi Bank, Main Road, Kakinda, Branch:sarpavaram Junction, Beside Police Station, Kakinda, Andhra Pradesh, Pin: 533001, Tel: 9848317859. Revathi Enterprises, D. No. 43-7-25, Old Post Office Str, Jagannadhapuram, Bida, Kakinda, Andhra Pradesh, Pin: 533003, Mob: 9848133585, Tel: 0884-2387328. City Engineering Company, Shop No-14,15,16, Sai Durga Towers, Ongole, Andhra Pradesh, Pin: 523001, Mob: 9848144919, Tel: 08592-221090. Sri Power Tools Corporation, Door No: 7-30-15, Opp:bata Show Room, Near Santhi, Main, Road Rajahmundry, Pin: 533101, Tel: 9986644555. Maharaaj Spares No. 42, Nethaji Road, Tirupati, Pin: 517501, Mob: 9440079249, Tel: 0877 2253426. Ganesh Trading Co., 12-10-46, Convent Street, P Box No 83, Vijayawada, Andhra Pradesh, Pin: 520001, Mob: 9849082241, Tel: 0866-425241 / 426401. Gopalakrishna Engineering Co, Door No 12-6-15, Hart Street, Tarapat, Vijayawada, Pin: 520001, Mob: 0866-2425942, Tel: 9848156713. Sri Shiridi Sai Enterprises, Door No 12-3-32, Peena Mahamad Street, Tarapat, Vijayawada, Pin: 520001, Mob: 0866-2426333, Tel: 9848139633. S B Enterprises, 28-16-14, Suryabagh, Visakhapatnam, Andhra Pradesh, Pin: 530020, Mob: 9440191723, Tel: 0891-2562208 / 2569917. Sri Ganesh Hardware & Electricals, No. 7-16-73, Old Gajuwaka Jn, Visakhapatnam, Andhra Pradesh, Pin: 530026, Mob: 9393100146, Tel: 0891 515524. Sri Sai Srinivasa Electricals, Door No.58-1-392, n.s.t.i.family Gat, Butchiraju Palem, visakha, Butchiraju Palem, Pin: 530027, Mob: 9885494398. **KARNATAKA:** Hindustan Tools, No-22, Kiadb Complex, Tvs Cross Peenya, Bangalore, Karnataka, Pin: 560002, Mob: 91 9341244149, Tel: 51271028. J.V. Marketing Corporation 1, 1st Floor, Kssid Special, Plot No 19, Tvs Cross 1st Stage, Peenya Industrial Estate, Bangalore, Pin: 560058, Mob: 9741295446. Kshpra Engineering&Services, Fathima Eilidge, 6, cabin No 3 85 3rd Floor, 2nd Cross S.G Narayana Layout, Bangalore, Karnataka, Pin: 560027, Mob: 9886502905. Mini Sales And Tools Service, No 12, 1st Floor, r.k.bangalore, 1st Cross, N.R.Road, Bangalore, Karnataka, Pin: 560002, Mob: 91 98450 36264, Tel: 26702375. New Bangalore Power Tools No-6374,first Floor, Munyappa Complex, Opp.i.b.p.petrol Bunk, Jalahalli Cross, Bangalore, Karnataka, Pin: 560057, Mob: 9980013389, Tel: 25906050. Patel Trading Corporation, 1st Floor, No. 57/3, Sardar Patrapura Road, Bangalore, Karnataka, Pin: 560018, Mob: 98452 92883, Tel: 41247774. Vishal Enterprises I Floor, No.5 Mandi Veerappa Lane, S.J.P. Road Cross, Bangalore, Karnataka, Pin: 560002, Tel: 080-2236187. Vikrant Sales Corporation, Khanapur Road, Udaymang, Belgaum, Karnataka, Pin: 590008, Mob: 9480425252, Tel: 441256. City Tools Center, Ismail Complex, N H-17 Main Road, Bhatkal, Karnataka, Pin: 581320, Mob: 9448791748. Sagar Electricals, Shop No. 55 Cmc Complex, Bagalkot Cross, Bijapur, Karnataka, Pin: 586101, Mob: 9448440229, Tel: 08352-226374. A B Agencies Razak Building, Koppikar Road, Koppikar Road, Hubli, Karnataka, Pin: 580020, Mob: 990016001, Tel: 0836-2366812. Lakshmi Sales Corporation, Lakshmi Towers, Main Road,kulai, Manglore, Pin: 574196, Tel: 0824-2407836.

KERALA: Tool Tech Inc, Door No. 16/931 & 932b, Aradhana Tourist Home, Kallai Road, Calicut, Pin: 673001, Mob: 9388485464, Tel: 0495 4025071. Powerool Enterprises, 44/2133c, Freedom Road, Kallar, Kochi, Kerala, Pin: 682017, Mob: 9895405593, Tel: 0484-0447593. Tool World, 44/2708C Karuppally, Deshabhinikar Road, Kochi, Kerala, Pin: 682017, Mob: 9388485878, Tel: 0484-3295564/2409745. Vindia Enterprises, 39/3886, Ravipuram Road, Ernakulam, Cochin, Kerala, Pin: 682016, Mob: 9847219831, Tel: 0484-2356924. Kolar Mill Stores Pvt. Ltd., 18/1819 Kolar Buildings, Opp Police Station, Up Hill P.O. Mallapuram, Pin: 676505, Mob: 9497 32 00 00, Tel: 0483-2730603. Vulcan Metals, 17/327, Nh 47, Manappullikkav, Palakkad, Pin: 678013, Tel: 0491 2506200/2506300. Tool Mec, Xii/689/27, Mars Complex, Poothole Road, Thrissur, Kerala, Pin: 680004, Tel: 0487-2389739. **TAMIL NADU:** B. R. Enterprises, No. 147, Broadway, Chennai, Tamil Nadu, Pin: 600108, Mob: 9381071188, Tel: 044 - 42620709 / 42620710. Chennai Power Tools And Electricals, No.648, 1st Floor, Mth Road, Mannurpet Padai, Chennai, Pin: 600050, Mob: 9841402911, Tel: 044-26251663. K.S.Engineering Equipments, 16, Trunk Road, Poonamallee, Chennai, Pin: 600056, Mob: 9840986541, Tel: 044 - 26492223. M/s.royal Tools Agencies, Old.No.11, New.No.21, Errabalu Street, Chennai, Pin: 600 001, Mob: 044 - 2538 3048, Tel: 98841167366. Professional Power Tools Sales & Service, No 77/155, Broadway, Chennai, Pin: 600108, Mob: 9841186478, Tel: 044-64555872. Shrimma Power Tools, No. 13, Old Mahabalipuram Road, Kandanchavadi, Chennai, Tamil Nadu, Pin: 600096, Mob: 9884489709, Tel: 044-64534203. Sri Khatiyani Enterprises, H-24, Central Avenue, Korattur, Chennai, Tamil Nadu, Pin: 600080, Mob: 9841810789, Tel: 044 - 26873550 / 42878495. Aardwolf Engineering Co., No. 180 A/9, Dr. Nanjappa Road, Nsp Complex, Coimbatore, Coimbatore, Tamil Nadu, Pin: 641018, Mob: 9363101650, Tel: 0422 - 2301884 / 2380974. Orient Equipment & Services, P.B. No. 3795, Shop No G-5, V. R. Arcade 295, Dr. Nanjappa Road, Coimbatore, Tamil Nadu, Pin: 641018, Mob: 9842265222, Tel: 0422 - 2236432 / 2238507. Banu Tools, Plot No 7, Amaravathi Towers, Vasavi Street, near Kvb Bank, Nh 7, Bye Pass Road, Hosur, Pin: 635109, Mob: 9443242102, Tel: 04344 - 24102. Sri Balarampuram Agencies, No.100, I.K. nambi Street, Kanchipuram, Pin: 630501, Mob: 7200726026, Tel: 044-27223444. Sanker Sales Corporation, No. 270, West Masi Street, Madurai, Tamil Nadu, Pin: 625001, Mob: 9994135241, Tel: 0452 - 2341803. Sri Andal Agencies, 47/10e Devangapuram Extn St, Shevapet, Salem, Pin: 636002, Mob: 9362755919, Tel: 0427 2223718. Sri Andal Power Tools, No. 5, A Block, Sree Complex, Madurai Road, Trichy, Pin: 620008, Mob: 9944262656, Tel: 0431 4544271. **GOA:** Mech-tech Engineering Systems, G-2, Emerald Towers, M.G.Road, Opp State Bank Zonal Office, Panji, Goa, Pin: 403001, Mob: 9822122921, Tel: 0832-223601. S.K .Trading, Shop No 4 Esteve Apartment, Near Alua Hotel, Mercers, Panjim Pin: 862000, Mob: 9270143918. S.S.Hitech Engineering, Shop No-2, Laxoj Appis, Near Ktc Bus Stand, Vasco-da-Gama, Goa. Pin: 403802, Mob: 9822904784/9422743330, Tel: 0832-6483256. **GUJARAT:** Mark Engineering, No. A-13, Jay Raj Complex, opp B.P Petrol Pump, Sani Ni Chaw Chur Rusta, Odhav, Ahmedabad, Pin: 382415, Tel: 079-29092442. Rushabh Traders, Minia Chamber, Opp Syndicate Bank, Kadia Kuli, Relief Road, Ahmedabad, Pin: 380001, Mob: 9327070493, Tel: 079 22180265. Shivam Sales & Services, No. 28, Kalpesh Rang Upvan Soci, opp Vastrapur Railway Station, Bhoi Bhavani Mandir Road, vejalpur, Ahmedabad Pin: 380007, Tel: 079-69501111. Shree Maruti Tools, B/5, new Shivkripa Apartment, Opp, Agiyaras Mata Mandir, Nava, Ahmedabad, Gujarat, Pin: 380013, Mob: 9724313764 & 9426513764, Tel: 079-7643580/7. Shyam Trading 34, Green Villa, Nr. H.B. Kapadia School, Gurukul Road, Memnagar, Ahmedabad, Gujarat, Pin: 380052, Mob: 9825050794, Tel: 079 66522025. Chintan Electricals, Plot No-1006, gdc Estate, Ankleshwar,dish-bharuch, Pin: 393002, Mob: 9033533735. Khatni Engineering Company, D.B.Z. - S - 139, Near Pitman's Gas, Gandhidham, Gujarat, Pin: 370201, Mob: 9898250681, Tel: 02836 - 222921 / 236466. Jay Enterprise, Dhebar Road, Near Ashok Guest House, Rajkot, Pin: 360001, Mob: 9824456452, Tel: 0281 - 2236235. National Power Tools (Surat), Hq4-142, Rushabh Traders, Near Jain Temple, Adhar Patia, Rander Road, Surat, Pin: 395009, Mob: 9898032000, Soham Reparing Center, 11, rameshwar Society, Beside Rudraksh Residence, kapodra Crossing, Varucha Road Surat, Mob: 9898231287. Vikram Engineers, M.G.Road, No-4, Sanghavi House, Udyog Nagar, Udhana, Pin: 394210, Mob: 9427137657, Tel: 0261-2274025. Hariom Enterprise, C1/b 888/1, gdc, Makapur, Vadodra, Gujarat, Pin: 390001, Mob: 9974027579, Tel: 0265-6543678. B H Traders, No. C-37, Busy Bese Complex, Hanuma Mandir, Bhadkamori, G.I.D.C. Vapi, Pin: 396195, Mob: 9825803227, Tel: 0260-2450808. **MADHYA PRADESH:** Bhopal Tools, No. 64, Hamidia Road, Bhopal, Madhya Pradesh, Pin: 462001, Mob: 9826335611, Tel: 736173. Pioneer Marketing Services, 223, Shastri Market, 2nd Floor, Indore, Madhya Pradesh, Pin: 452007, Mob: 9826053800, Tel: 0731-2538007. Reliable Power Tools, #12 Jawahar Marg, near Patel Bridge, Shalimar Piazza, 1st Floor, shop No.9, Madhya Pradesh, Pin: 452007, Mob: 9426317352, Tel: 0731-2366352. Vaishno Enterprises, Birla Road, Kolgawan, Satna, Madhya Pradesh, Pin: 485001, Mob: 9425173350, Tel: 251450, 501950. **MARHARASHTRA:** Datta Enterprises, N-16, Nimbalkar Road, Mid Industrial Area, Ahmednagar, Maharashtra, Pin: 414111, Mob: 9225300400 / 9225310081, Tel: 0241-6611310 / 6611310. R B Machinery, Malpura Chowk, Akola, Maharashtra, Pin: 444001, Mob: 9850280021, Tel: 0724-2424354. Machine Tools Centre, Safed Pool Andheri, Kuria Road, Next To Petrol Pump, Andheri, Mumbai, Pin: 400072, Mob: 9820827827. Spa Technical Services Pvt Ltd, 21-22 Navketan, Mahakali Caves Road Andheri (E), Mumbai, Pin: 400093, Mob: 9867259858. Unique Agencies, Marol Maroshi Road, Marol, Mumbai, Mumbai, Pin: 400059, Mob: 922295450. Aniket Enterprises, X-324, Near Hdcb Bank, Maharana Pratap Chowk, Balaji Nagar, Mide, Aurangabad, Pin: 431005, Mob: 9552769194, Tel: 0240-2563312. Padmavati Electricals, Opp. Ramanand Colony, Kranti Chowk, Aurangabad, Pin: 431005, Mob: 9823098763, Tel: 0240 - 2329033. Shaoo Sales & Services-Aurangabad, X-128, babaji Commercial Complex, Bajaj Nagar Mide, Wajal, Aurangabad, Pin: 431005, Mob: 9823466426 / 9028028763, Tel: 0240 2555171. Yash Vinayak Electrical, Shop No 9, Rishabh Apart-1, Near-Oswal English Academy School, Ostwal Empire, Boisar, Maharashtra, Pin: 401501, Tel: 8407989777. J B Machinery & Tools, Near St Joseph School, Botha Road, Buldhana, Pin: 443001, Mob: 9422881158, Tel: 07262-46159. Sadaguru Power Tools And Electrical, Kohinor Centre, Shivaji Chowk, Chakan, Pune, Pin: 410501, Mob: 9822351008, Tel: 02135-645361. Mistry Enterprises Near Prakash Talikes, Parola Road, Dhule, Maharashtra, Pin: 424003, Mob: 9422787930, Tel: 02562-234429. Vardhaman Machine Tools, Shop No 6, Old Manekhal Chawl, L.B.S Marg, Near Telephone Exch, Ghatkopar (W) Mumbai, Pin: 400086, Mob: 9820534952. Sapana Enterprises, Panchanga Factory To Shahpur Road Near Kothari Sizing, P O - Ganagan, Ichalkaranji, Maharashtra, Pin: 416116, Mob: 9821678843, Tel: 0230-2495157. S.P. Shah & Sons, Mutla Building, Near Natraj Cinema, Jalana, Maharashtra, Pin: 431203, Mob: 9422215827. Kaurenu Industrial Enterprises, No. 5, Laxmi Tower, Neri Naka, Jalgaon, Maharashtra, Pin: 425001, Mob: 9422780632, Tel: 0257-2227384. Shri Gajanan Electricals & Machiner, 327-A, Main Gate, Basement, New B.J.Market, Jalgaon, Maharashtra Pin: 422001, Mob: 9422184432, Tel: 0257-2224198. Mahavir Electricals, Shop No 8, Inside B.M.C Market, Khar (W), Mumbai, Pin: 400052, Mob: 9867060793. Sushito Enterprises, B,Under Ground - 1, Prabhakar Plaza, Station Road, Kolhapur, Maharashtra, Pin: 416001, Mob: 9423258000, Tel: 0231-667433. Yash Enterprises, 1446 Bc, Empire Tower, Shop No lg-1, Dasara Chowk, Laxmipuri, Kolhapur, Maharashtra, Pin: 416002, Mob: 9422412411, Tel: 0231-644811. S D Traders, Jamdade Building, Behind Old Power House, Latur, Maharashtra, Pin: 413512, Mob: 9422071082, Tel: 02382-252127. Super Agencies, G Ward, Shop No 6, G. Gurananknappa Opp Hsg Society, Lonawala, Maharashtra, Pin: 410401, Mob: 9823052516, Tel: 02114-273279. Anil Traders, Shop No 2 Paralkar Wadi, R.C Marg, Chembur Naka, Mumbai, Pin: 400071, Mob: 9322183201. Chaudhary Tools, 33-a, Jayendra Bhuvan, S.K.Bole Road, Dadar (W), Mumbai, Pin: 400028, Tel: 022-66625190. K.Z.Trading Co., 29/12, abid Manzil, 139, Nagdevi St, Mumbai, Mob: 9029024155. Manohar Electric Stores, 10, roshni Building, s.v.road, Oshiwara,jogeshwari (West), Mumbai, Maharashtra, Pin: 401002, Tel: 022-26784783. Nirav Traders, No. 42, Nagdevi Cross Lane, Mumbai, Maharashtra, Pin: 400003, Mob: 9820127192, Tel: 022-3428672/3422928. Raj Machine Tools, II Nd Floor, 71/73, Nagdevi Street, Mumbai, Maharashtra, Pin: 400003, Mob: 9323910798, Tel: 022-6521364/2035. S. A. Traders, 76, Nagdevi Cross Lane, Shop No 3, Mumbai, Maharashtra, Pin: 400003, Mob: 9870084598, Tel: 022 - 23400988. Shree Sidhinyak Machine Tools, Shop No 1, Vishwa Mohini Building, Opp Kamla Nehru Shopping Centre, N.S Road , Mulund, Pin: 400080, Mob: 9594015345. Swastik Machine Tools P Ltd, Sambali Nagar,near Savli Hotel, Akurli Road,kandivli (E), Mumbai, Pin: 401011, Mob: 9892269974. Rathi Engineering Company, 31 A, Radke Layout, Opp- Saint Xaviers High School, Nagpur, Maharashtra, Pin: 440016, Mob: 9373107555, Tel: 07104-232221. Union Hardware Stores, Central Avenue, Dardoch Chowk, Near Itwari High School, Nagpur, Pin: 440002, Mob: 9971068950 / 9822564150, Tel: 2786920, 2777729. Essel Engineers, No.6/7, Khetwandi D, Near Donde Bridge, Untwadi, Cicdo, Nashik, Maharashtra, Pin: 422009, Mob: 9423093243. Messon Traders, No. 994, Main Road, Nashik, Nashik (M.S.), Pin: 422001, Mob: 09970166552, Tel: 0253 2507862. Vidad Engineering & Electricals, Mahadev Nagar Corner, Near Satpur Bus Stop, Satpur - Trimbak Road Satpur, Nashik, Pin: 422007, Mob: 9822049760, Tel: 0253 2363567, Fine Electrical Works, Shop No -3 janta Market, Plot No 3 & 4 ,Sec-23, Nr Sadguru Hotel,turbhe ,navi Mumbai, Navi Mumbai, Pin: 400705, Mob: 9322290574. New Bombay (Hardware) Traders Pvt, Plot No 107, Sector-23, Turbhe Service Industries, Near Janta Market, Yashi, Navi Mumbai, Pin: 400705, Mob: 9820127192, Tel: 022-6793977 / 27835529. Shree Ambica Machine Tools, Shop No 26, Shivaji Chowk, Osmanabad, Maharashtra, Pin: 413501, Mob: 9881096188, Tel: 0242-227281. Everest Enterprises, Sukhwani Nest, Shop No. 7, Vidhyani Nagar, Pimpri, Pune, Pin: 411018, Tel: 27433522. Faith Machinery Stores, Tip Top Bldg, Shop No-6&7, 550b, Nanapeth, Near Chacha Halwai Chowk, Laxmi Road, Pune, Pin: 411002, Tel: 020-26137868 / 26137663. K Z Trading Co., Shop No 2, Padamejee Palace, Bhawani Peth, Pune, Pin: 411042, Max Corporation, No. 95, Ganesh Peth, Laxmi Road, Dulya Maruti Chowk, Pune, Maharashtra, Pin: 411002, Mob: 9371006743, Tel: 020-6341647 / 6344945. Maharashtra, Ram Electricals, Shagun Chowk, Pimpri, Pune, Pin: 411017, Mob: 9850223068. Solaniki Enterprises, No. 288b, Rasta Peth, Opp M.S.E.B, Near Sai Motors, Pune, Pin: 411011, Mob: 9822002976, Tel: 020 26102068. Superweld Sources Pvt Ltd., Near,Century Circle, Midh Bhosani, Pune, Maharashtra, Pin: 411026, Tel: 020-30681560. Tech Tools, 1 & 2, P.J. Chambers, Near Ambekar Statue, Pimpri, Pune, Pin: 411018, Mob: 9822040744, Tel: 020 27421967. Tool Max, "Maull" 738, Budhwar Peth, Ganesh Road, Nr. Phadke Houd, Pune, Maharashtra, Pin: 411002, Mob: 020 32319333. Arc Power Tools & Equipments, Off Chougule Complex, Kupwad Road, Near Railway Gate, Sangli, Maharashtra, Pin: 416415, Mob: 9423871513, Tel: 0233-302185. Shree Sales And Services, Plot No. P-90, Chakan Oil Mill Road, M.I.D.C. Sangli, Maharashtra, Pin: 416436, Mob: 9423871648, Tel: 0233-2645005 / 5616582. M P Engineers, Shop No -7, Jivhala Housing Society, Near Bombay Restaurant, Old M.I.D.C., Satara, Maharashtra, Pin: 415001, Mob: 9822637283. New Maharashtra Traders, No. 184 B/1c, Ravipur Peth, Pawai Naka, Satara, Maharashtra, Pin: 415002, Mob: 9422033399, Tel: 02162-35605. Madan J. Dalvi, Gala No 7 -l.v.complex, Ramliw Chowk, Railway Line, Solapur, Maharashtra, Pin: 413001, Mob: 9422068351, Tel: 0217-2727051. Siddhanta Sales & Services, No. 64, Jobbhavi Peth, Solapur, Pin: 413002, Mob: 9423066906, Tel: 0217 2729911. Suneel Textile Engineering Industry, Plot No. 65, Nagane Nagar, Behind Mahavir Tea Company,kondh-413004, Konadh, Solapur, Pin: 413007, Mob: 9823112275, Tel: 0217-622500. Neha Power Tools, Shop No 4, Bhanu Nagar, Dombivli East, Thane, Mob: 9987209787. Super Sales & Services, Monalisa Bldg, Shop No.5, Harinivas Circle, Thane, Thane, Pin: 400602, Mob: 9892375131, Tel:022 - 25386845.