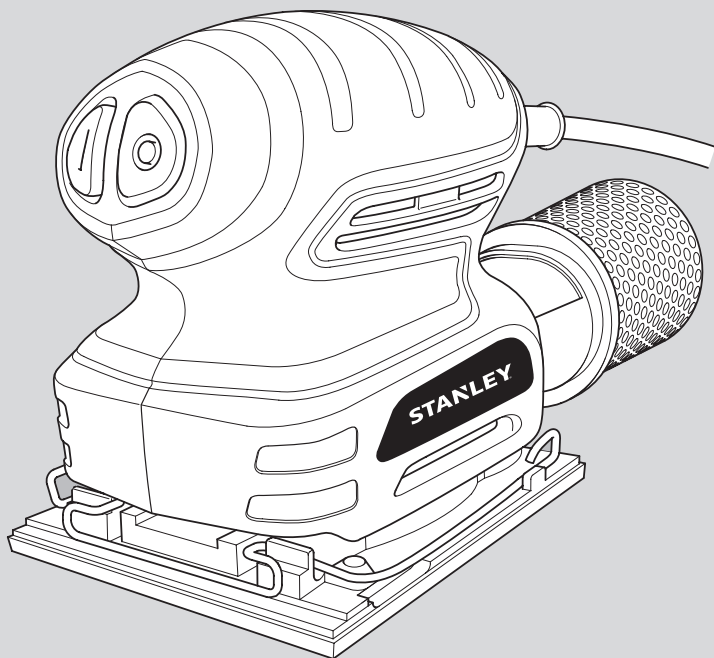
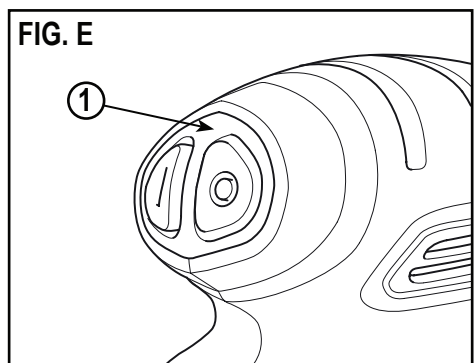
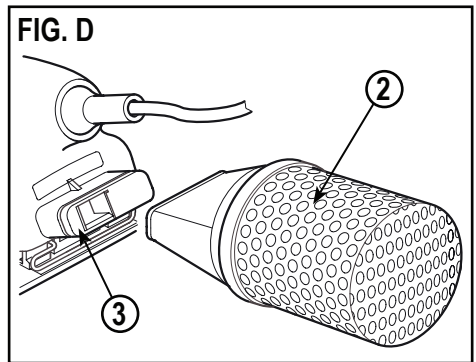
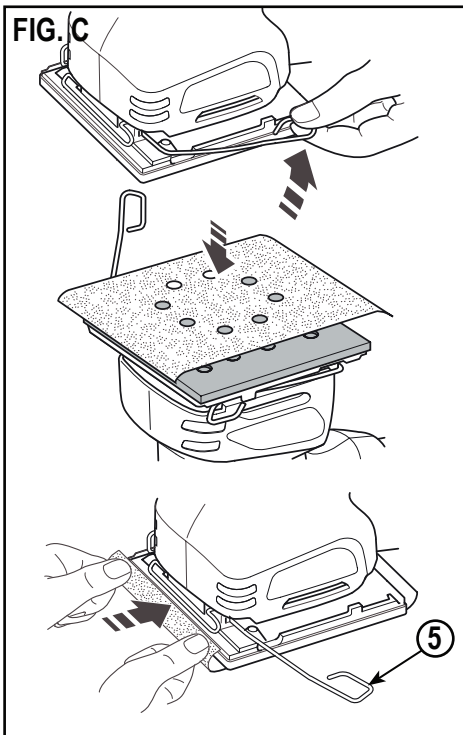
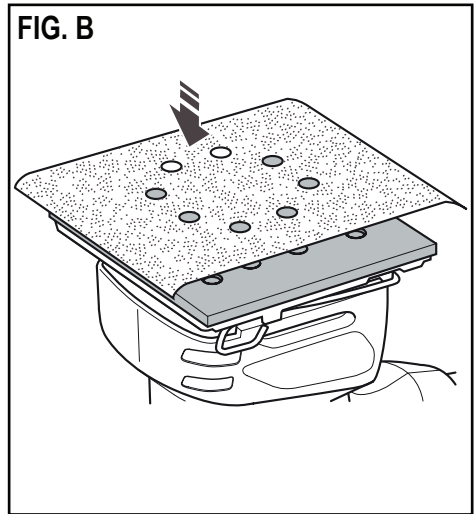
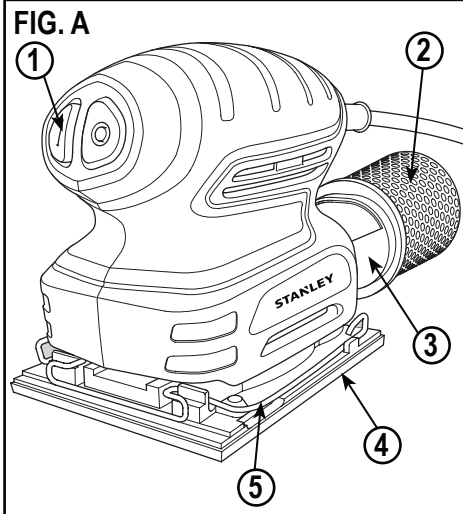


# STANLEY



**STSS025**



## Technical Data

Specifications	STSS025
Power	220W
Voltage	220-240V
Frequency	50/60Hz
Orbits (no load)	16000/min
Oscillations (no load)	32000/min

## Intended Use

Your STANLEY sander has been designed for sanding wood, metal, plastics and painted surfaces.

**DO NOT RETURN THIS PRODUCT TO THE STORE,**  
first contact your local STANLEY Office  
or nearest authorized service center.

## General Safety Rules



**Warning!** Read and understand all instructions. Failure to follow all instructions listed below, may result in electric shock, fire and/or serious personal injury.

## SAVE THESE INSTRUCTIONS

### Safety instructions

#### General power tool safety warnings



**Warning!** Read all safety warnings and all instructions. Failure to follow the warnings and instructions listed below may result in electric shock, fire and/or serious injury.

#### Save all warnings and instructions for future reference.

The term "power tool" in all of the warnings listed below refers to your mains operated (corded) power tool or battery operated (cordless) power tool.

#### 1. Work area safety

- a. **Keep work area clean and well lit.** Cluttered or dark areas invite accidents.
- b. **Do not operate power tools in explosive atmospheres, such as in the presence of flammable liquids, gases or dust.** Power tools create sparks which may ignite the dust or fumes.
- c. **Keep children and bystanders away while operating a power tool.** Distractions can cause you to lose control.

#### 2. Electrical safety

- a. **Power tool plugs must match the outlet. Never modify the plug in any way. Do not use any adapter plugs with earthed (grounded) power tools.** Unmodified plugs and matching outlets will reduce risk

of electric shock.

- b. **Avoid body contact with earthed or grounded surfaces such as pipes, radiators, ranges and refrigerators.** There is an increased risk of electric shock if your body is earthed or grounded.
- c. **Do not expose power tools to rain or wet conditions.** Water entering a power tool will increase the risk of electric shock.
- d. **Do not abuse the cord. Never use the cord for carrying, pulling or unplugging the power tool. Keep cord away from heat, oil, sharp edges or moving parts.** Damaged or entangled cords increase the risk of electric shock.
- e. **When operating a power tool outdoors, use an extension cord suitable for outdoor use.** Use of a cord suitable for outdoor use reduces the risk of electric shock.
- f. **If operating a power tool in a damp location is unavoidable, use a residual current device (RCD) protected supply.** Use of an RCD reduces the risk of electric shock. Note: The term "Residual Current Device (RCD)" can be replaced by "Ground Fault Circuit Interrupter (GFCI)" or by "Earth Leakage Circuit Breaker (ELCB)".

#### 3. Personal safety

- a. **Stay alert, watch what you are doing and use common sense when operating a power tool. Do not use a power tool while you are tired or under the influence of drugs, alcohol or medication.** A moment of inattention while operating power tools may result in serious personal injury.
- b. **Use personal protective equipment. Always wear eye protection.** Protective equipment such as dust mask, non-skid safety shoes, hard hat, or hearing protection used for appropriate conditions will reduce personal injuries.
- c. **Prevent unintentional starting. Ensure the switch is in the off-position before connecting to power source and/or battery pack, picking up or carrying the tool.** Carrying power tools with your finger on the switch or energising power tools that have the switch on invites accidents.
- d. **Remove any adjusting key or wrench before turning the power tool on.** A wrench or a key left attached to a rotating part of the power tool may result in personal injury.
- e. **Do not overreach. Keep proper footing and balance at all times.** This enables better control of the power tool in unexpected situations.
- f. **Dress properly. Do not wear loose clothing or jewellery. Keep your hair, clothing and gloves away from moving parts.** Loose clothes, jewellery or long hair can be caught in moving parts.

**g. If devices are provided for the connection of dust extraction and collection facilities, ensure these are connected and properly used.** Use of dust collection can reduce dust-related hazards.

#### **4. Power tool use and care**

**a. Do not force the power tool. Use the correct power tool for your application.** The correct power tool will do the job better and safer at the rate for which it was designed.

**b. Do not use the power tool if the switch does not turn it on and off.** Any power tool that cannot be controlled with the switch is dangerous and must be repaired.

**c. Disconnect the plug from the power source and/or the battery pack from the power tool before making any adjustments, changing accessories, or storing power tools.** Such preventive safety measures reduce the risk of starting the power tool accidentally.

**d. Store idle power tools out of the reach of children and do not allow persons unfamiliar with the power tool or these instructions to operate the power tool.** Power tools are dangerous in the hands of untrained users.

**e. Maintain power tools. Check for misalignment or binding of moving parts, breakage of parts and any other condition that may affect the power tools operation. If damaged, have the power tool repaired before use.** Many accidents are caused by poorly maintained power tools.

**f. Keep cutting tools sharp and clean.** Properly maintained cutting tools with sharp cutting edges are less likely to bind and are easier to control.

#### **5. Service**

**a. Have your power tool serviced by a qualified repair person using only identical replacement parts.** This will ensure that the safety of the power tool is maintained.

## **Additional Power Tool Safety Warnings**

- **Hold the power tool by insulated gripping surfaces, because the sanding belt / sanding base may contact its own cord.** Cutting a "live" wire may make exposed metal parts of the power tool "live" and shock the operator.
- **Use clamps or another practical way to secure and support the work piece to a stable platform.** Holding the work by hand or against your body leaves it unstable and may lead to loss of control.



**Warning!** Contact with or inhalation of dust arising from sanding applications may endanger the health of the operator and possible bystanders. Wear a dust mask specifically designed for protection against dust and fumes and ensure that persons within or entering the work area are also protected.

- Thoroughly remove all dust after sanding.
- Take special care when sanding paint which is possibly lead based or when sanding some woods and metal which may produce toxic dust:
  - Do not let children or pregnant women enter the work area.
  - Do not eat, drink or smoke in the work area.
  - Dispose of dust particles and any other debris safely.
- This tool is not intended for use by persons (including children) with reduced physical, sensory or mental capabilities, or lack of experience and knowledge, unless they have been given supervision or instruction concerning use of the appliance by a person responsible for their safety. Children should be supervised to ensure that they do not play with the appliance.
- The intended use is described in this instruction manual. The use of any accessory or attachment or performance of any operation with this tool other than those recommended in this instruction manual may present a risk of personal injury and/or damage to property.

## 6. Labels on tool

The label on your tool may include the following symbols:



Read Instructions Manual



Use Eye Protection



Use Ear Protection

V ..... Volts

A ..... Amperes

Hz ..... Hertz

W ..... Watts

min ..... minutes

~ ..... Alternating Current

— ..... Direct Current

n<sub>0</sub> ..... No-Load Speed



..... Class II Construction



..... Earthing Terminal



..... Safety Alert Symbol

.../min..

Revolutions or Reciprocation per minute

## Position of date barcode

The Date Code, which also includes the year of manufacture, is printed into the housing.

Example:

2014 XX JN

Year of manufacturing

## 7. Electrical safety



Your tool is double insulated; therefore no earth wire is required. Always check that the main voltage corresponds to the voltage on the rating plate.



**Warning!** If the power cord is damaged, it must be replaced by the manufacturer, authorized STANLEY Service Center or an equally qualified person in order to avoid damage or injury. If the power cord is replaced by an equally qualified person, but not authorized by STANLEY, the warranty will not be valid.

## Residual risks

Additional residual risks may arise when using the tool which may not be included in the enclosed safety warnings. These risks can arise from misuse, prolonged use etc.

Even with the application of the relevant safety regulations and the implementation of safety devices, certain residual risks can not be avoided. These include:

- Injuries caused by touching any rotating/moving parts.
- Injuries caused when changing any parts, blades or accessories.
- Injuries caused by prolonged use of a tool. When using any tool for prolonged periods ensure you take regular breaks.
- Impairment of hearing.

- Health hazards caused by breathing dust developed when using your tool (example:- working with wood, especially oak, beech and MDF.)

## Features (Fig. A)

1. On/off switch
2. Dustbag
3. Dust extraction outlet
4. Sanding base
5. Paper clamp lever

## Assembly



**Warning!** Before assembly, make sure that the tool is switched off and unplugged.

## Fitting sanding sheets (FIG. B y C)



**Warning!** Never use the tool without a sanding sheet or accessory in place.

## Fitting sanding sheets with nylon loops (FIG. B)



**Warning!** Make sure that the tool is switched off and unplugged.

- Press the sheet firmly and evenly onto the sanding base (4), making sure that the holes in the sheet line up with the holes in the base.

## Fitting regular sanding sheets (FIG. C)



**Warning!** Make sure that the tool is switched off and unplugged.

- Soften the sanding sheet by rubbing its non-abrasive side over the edge of a worktop.
- Press the paper clamp levers (5) upwards to release them from the retaining grooves and open the paper clamps (5) by pressing them down.
- Place the sheet onto the sanding base (4).
- Insert the edge of the sanding sheet into the front paper clamp (5) as shown.
- Press the front paper clamp lever (5) downwards and locate it in the retaining groove.
- While keeping a slight tension on the sheet, insert the rear edge of the sheet into the rear paper clamp (5).

- Press the rear paper clamp lever (5) downwards and locate it in the retaining groove.

### Fitting and removing the dustbag (FIG. D)

- Fit the dustbag (2) over the dust extraction outlet (3).
- Slide the dustbag (2) onto the tool and make sure that it is securely located.
- To remove the dustbag (2), pull it to the rear and off the outlet.

## USE

**Warning!** Let the tool work at its own pace. Do not overload.

### Switching on and off (FIG. E)

- To switch the tool on, press the part of the on/off switch (1) marked 'I'.
- To switch the tool off, press the part of the on/off switch (1) marked 'O'.

### Emptying the dustbag

- The dustbag (2) should be emptied every 10 minutes.
- Shake the dustbag (2) to empty the contents

### Hints for optimum use

- Do not place your hands over the ventilation slots.
- Do not exert too much pressure on the tool.
- Regularly check the condition of the sanding sheet. Replace when necessary.
- Always sand with the grain of the wood.
- When sanding new layers of paint before applying another layer, use extra fine grit.
- On very uneven surfaces, or when removing layers of paint, start with a coarse grit. On other surfaces, start with a medium grit. In both cases, gradually change to a fine grit for a smooth finish.
- Consult your retailer for more information on available accessories.

## Maintenance

Your STANLEY tool has been designed to operate over a long period of time with a minimum of maintenance. Continuous satisfactory operation depends upon proper tool care and regular cleaning.



**Warning!** Before performing any maintenance, switch off and unplug the tool.

- Regularly clean the ventilation slots in your tool using a soft dry brush or dry cloth.
- Regularly clean the motor housing using a clean damp cloth. Do not use any abrasive or solvent-based cleaner.

## Service Information

STANLEY offers a full network of company-owned and authorized service locations. All STANLEY Service Centers are staffed with trained personnel to provide customers with efficient and reliable power tool service. For more information about our authorized service centers and if you need technical advice, repair, or genuine factory replacement parts, contact the STANLEY location nearest you.

## Protecting the environment



Separate collection. This product must not be disposed of with normal household waste.

Should you find one day that your STANLEY product needs replacement, or if it is of no further use to you, do not dispose of it with household waste. Make this product available for separate collection.



Separate collection of used products and packaging allows materials to be recycled and used again.

Re-use of recycled materials helps prevent environmental pollution and reduces the demand for raw materials.

Local regulations may provide for separate collection of electrical products from the household, at municipal waste sites or by the retailer when you purchase a new product. STANLEY provides a facility for the collection and recycling of STANLEY products once they have reached the end of their working life. To take advantage of this service please return your product to any authorised repair agent who will collect them on our behalf.

You can check the location of your nearest authorised repair agent by contacting your local STANLEY office at the address indicated in this manual. Alternatively, a list of authorised STANLEY repair agents and full details of our after-sales service and contacts are available on the Internet at: [www.2helpU.com](http://www.2helpU.com)

## One year warranty

If your STANLEY product becomes defective due to faulty materials or workmanship within 12 months from the date of purchase, STANLEY guarantees to replace all defective parts free of charge or – at our discretion – replace the unit free of charge provided that:

- The product has not been misused and has been used in accordance with the instruction manual.
- The product has been subject to fair wear and tear;
- Repairs have not been attempted by unauthorised
- Proof of purchase is produced.
- The STANLEY product is returned complete with all original components

If you wish to make a claim, contact your seller or check the location of your nearest authorised STANLEY repair agent in the STANLEY catalogue or contact your local STANLEY office at the address indicated in this manual. A list of authorised STANLEY repair agents and full details of our after sales service is available on the internet at: [www.2helpU.com](http://www.2helpU.com)





# Names & Addresses for STANLEY Service Concessionaries - INDIA

**ASSAM:** Arun Machine And Tools, A.T.Road, Near Rupshree Cinema, Tokohari, Guwahati, Assam, Pin: 781001, Mob: 9435118754, Tel: 2591868. Bagaria Tools And Hardware, Near Hotel Vishwaratna, At Road, Guwahati, Assam, Pin: 781001, Mob: 9435011008/9864077172, Tel: 2511173. Vinayak Tools And Machinery, A-1, Mangal Ram Tower, Opposite Police Reserve, A.T.Road, Guwahati, Assam, Pin: 781001, Mob: 9435049234. Assam Machine Tools, Gar-ali, Jorhat, Guwahati, Assam, Pin: 785001, Mob: 9435050699, Tel: 2321607. Shyam Machinery And Tools, A.C. Plaza, N.B.Road (Near Ananta Cinema), Tezpur, Assam, Pin: 784001, Mob: 9435081917, Tel: 03712-230142. **BHAR:** Jai Abisoy Traders, Ramna Road, Near Rama Bhavan, P.S.-civil Lane, P.O.- Gaya, Bihar, Pin: 823001, Mob: 9431224989. **CHATTISGARH:** Agrawal Motors, Opp Punjab National Bank, Transport Nagar, Korba, Pin: 495677, Mob: 07759245553, Tel: 9893222761. V. M. Enterprises, Millennium Plaza, First Floor-31, Banstal G E Road, Raipur, Pin: 492001, Mob: 9826136099, Tel: 0771-4280808. **JHARKHAND:** Sigma Enterprises, Sarahlaha Main Road, Near Ajay Talkies, Dhanbad, Bihar, Pin: 828127, Mob: 9431187803, Tel: 206253. Industrial Tools & Equipments, S Type Chawk, Main Road, Adityapur, Jamshepur, West Bengal, Pin: 831013, Mob: 9431349848, Tel: 0657-2383282. Mangilal Rungta, P.O.Jugsalai, Jamshepur, Jharkhand, Jamshepur, Pin: 831006, Mob: 9334804626, Tel: 0657-423738. Urca Enterprises, Ram Road Near Tuli Bhawan, 2nd Floor.diagonal Road, Bistupur,jamshepur, Pin: 831001, Mob: 8292309050, Tel: 0657-2429043. Industrial Tools Agency, Dr. Fataullah Road, Ranchi, Jharkhand, Pin: 834001, Mob: 9334706264, Tel: 0651-2206712. Ranchi Metal Supply Co., S.N.Ganguly Road, Ranchi, Jharkhand, Pin: 834001, Mob: 9431174908, Tel: 0651-200066. **ORISSA:** Utkal Power Tools & Sales, Shop No 121,anand Plaza, Lakshmi Sagar Square, Bhubaneswar, Pin: 751006, Mob: 9437033867, Tel: 0674-2571079. M.R.Hydro Electric Co(Asc), Nua Patna, Buxi Bazar, cuttack, Cuttack, Pin: 754001, Mob: 9337887000. Subham Enterprises, No. 41, Taingini Market, Rourkela, Orissa, Pin: 769004, Mob: 9437041443, Tel: 0661-440 1443. **WEST BENGAL:** City Hardware, Nachan Road, Benachity, Durgapur, West Bengal, Pin: 713213, Mob: 9832150581, Tel: 0343-2583831.Cuttell Tools, Below Wbsef Office, Howrah Amta Road, Dasmagar, Howrah, West Bengal, Pin: 711005, Mob: 9830057545; 9330034464, Tel: 6536070. Bardia Trading Co. No. 17, Princep Street, Kolkata, West Bengal, Pin: 700072, Mob: 9831013176; 9831022454, Tel: 2373065. Machinery & Tools ( India ) 24, netaji Subhas Road, Kolkata, West Bengal, Pin: 700001, Mob: 9830052968, Tel: 033-2221-3840, S.M.B Corporation, No. 218, Old China Bazar Street, Kolkata, Pin: 700001, Mob: 9903331752, Tel: 2222406066. Subol Dutt & Sons Pvt. Ltd., No. 13, Babroume Road, Kolkata, West Bengal, Pin: 700001, Mob: 9813189629. Delhinchr, Sharma Trade Links, 155, Shyam Colony, Near Panchayat Bhawan, Ballabgarh, Mob: 8447733807, Tel: 0129-4068299. **DELHINCR:** Haryana Agencies, Near Allahabad Bank, Nh-8, Delhi-jaipur Highway, Banipur Chowk, Bawal(Rewari)haryana, Mob: 9783011902, Tel: 01493-226319, Jmr Techserv India, 7-11 First Floor Guru Dass Bhawan Community Centre, Ranjit Nagar, New Delhi, Pin: 110008, Mob: 9990119290, Tel: 011-45669290. Jyoti Sales Co, 3523/49a,balaji Market,gill Hakim Baqa, Hazau Qazi Delhi, Pin: 110006, Mob: 9810330626, Tel: M/S Classic Pneumatics, Plot No: 01 Bata Flyover Nit Faridabad, Opposite Bata Showroom, Faridabad, Pin: 121001, Mob: 9811140218. Mahalakshmi Trading Corporation, Plot No 40/66b, Industrial Area, ( Near Raj Gas Agency), Near Hardware Chowk, Faridabad, Pin: 121001, Mob: 9811547845. M/s Shri Ganpati Traders, Plot No.377/24, model Town (4marla) Near Gurudwara, Gurgaon-122001, Gurgaon, Pin: 122001, Mob: 9871502888, Tel: 0124 2320088. Shiva Machinery Tools, C-100, Sector-9, Noida, (Up) Noida, Pin: 201301, Mob: 9811162293, Tel: 55148623. **HIMACHAL PRADESH:** Chandan Industries, B.O. Opp. 4 Season Hotel, Pinjore Road, Near Bus Stand, Baddi, Himachal Pradesh, Pin: 177701, Mob: 9418021785 And 9418001785, Tel: 94180-01785. **JAMMU AND KASHMIR:** Bhagwati Sales Corporation, Main Road, Last Morth, Gandhi Nagar, Jammu, Pin: 180001, Mob: 9419182433, Tel: 0191-2452718. **PUNJAB:** Karan Enterprises, 101,anand Avenue, Old Jail, Road, Raqtan Singh Chowk, Amritsar, Pin: 147001, Mob: 9815882957. Jai Hind Trading Corporation, Old Bus Stand, Gt Road, Bhatinda. Bhatinda, Pin: 151001, Mob: 9879221000. D.P.Jagan & Sons, Co 46-47, Secno-28-c, Chandigarh, Haryana, Pin: 160002, Mob: 9876177441. Fairdeal Agencies, Nehru Garden Road, Near Aijit Press, Jalandhar, Pin: 144001, Mob: 9814665249. Shashi Industrial Enterprises, E.K. 117, Chowk Bhagat Singh, Near Gae, Jalandhar, Pin: 144001, Mob: 9876456782, Tel: 0181 5003030. Punjab, Ameja Machinery Store, Gill Road Ludhiana, Punjab, Pin: 141003, Mob: 9876300375, Tel: 0161-2537923. Guru Nanak Oxygen Gas Depot A-9, New Market, Opp. Railway Station, Ludhiana, Pin: 141008. Krishna Metals, Ambala By-pass Road, Near Samrala Chowk, Opp: Duggal Roadline, Ludhiana, Pin: 141003, Tel: 0161-2226258. Anand Tool Zone, D-137, Industrial Area, Phase - V, Mohali, Pin: 160055, Mob: 9814116449, Tel: 01722651274. Vikas Weld Plot No-257, industrial Area, Phase - I, Panchkula, Haryana, Pin: 134113, Mob: 921680168 And 921680167, Tel: 0172-2576437. Mohindra Bros. Oil Co., Dana Mandi, Phagwara, Pin: 144401, Mob: 9814533780, Tel: 01824 269082. Thukral Machinery Store, G.T. Road, Rajpura, Rajpura, Punjab, Pin: 140401, Mob: 9872049418, Tel: 9814210733. **RAJASTHAN:** S. S. Auto Agencies 4, Khandal Market, Ajmer, Pin: 305001, Mob: 9828053750, Tel: 1452424120. Haryana Iron Traders, Ram Ganj, Alwar, Pin: 301001, Mob: 9829215175. Atul Enterprises, Near Sikar Hotel, Hans Marg, S.C.Road, Jaipur, Rajasthan, Pin: 302001, Mob: 9829013905, Tel: 0141-2360327. Bhati Hardware House, Opp-hanwant School, Pal Road, Jodhpur (Raj), Jodhpur-342003, Pin: 342003, Mob: 9414722451 / 9414122770, Tel: 0291-2770506 / 0291-2770337. Sejal Power Tools, 1st Pal Puliya Near Govt School, Main Pal Road Village Pal, Jodhpur, Pin: 342001, Mob: 9799233654, Tel: 0823-3994001. Usha Trading Company, Inside Sojati Gate, Jodhpur, Tel: 2642023. Power Tools & Services, 109 Paliwal Compound, Kota Rajasthan, Pin: 324007, Tel: 0744-2360829. Jagdamba Enterprises, Near Thandi Pali Ki Thadi, Agra Road, Sikandra Chouraya, Sikandara, Pin: 303303, Mob: 9414095522. Brij Machine Tools, Odaka Complex, Station Road, Sikar, Pin: 332001, Mob: 9887537320, Tel: 01572-253826. M.P.Traders 40, new Keshav Nagar, Roopasagar Road, Udaipur, Pin: 313001, Mob: 9414168109. Rajasthan Tools (Prop.diesels India ) 1, Kasturba Market, Town Hall Road, Udaipur, Pin: 313001, Tel: 0294-2419260. **UTTARPRADESH:** M P Abrasives, Shop # 9 Srilaxmi Plaza, Gandhinoad, Dehradun, Pin: 248001, Mob: 9837050196. Sharma Electricals, 1577 Vivekananda Nagar, Double Street, Ghaziabad, Pin: 201001, Mob: 8860602092. Cippo Traders Latouche Road, kanpur, Uttar Pradesh, Pin: 208001, Mob: 9695887766. Magadh Industrial Company, Royal Vatika, Plot No 46, Flat No 5, 1st Floor, Ratanlal Nagar, Kanpur, Uttar Pradesh, Pin: 208022, Mob: 9415042120, Tel: 0512-2674635. Virat Enterprises, No. 122/230, Sarojini Nagar, Kanpur, Uttar Pradesh, Pin: 208012, Mob: 9839151747, Tel: 217881 / 221264. Yash Engineering Works, Rk-3 -Naya Gaun East(Barrow Market), Beside Kohli Light & Shine, Latou. Lucknow, Uttar Pradesh, Pin: 226018, Mob: 9415109785, Tel: 200694. Premier Machinery Store, Venus Cinema Building, Railway Road, Saharanpur, Pin: 247001, Tel: 2641663/3293755. Amit Enterprises, Ck No-52/14, sarwsati Katra, Rajada Waja, Varanasi, Pin: 221001, Mob: 9839040838. **ANDHRA PRADESH:** General Engineering # 18-246, room No -2, Pinni Complex Opp Krishna Theatre, Ananthpur, Andhra Pradesh, Pin: 515001, Mob: 9849388650, Tel: 0854-235706. Gayathri Industrial Corporation 10c, Ushodaya Towers, Industrial Road, Shapuramgar, jeedineemlia, Hyderabad, Andhra Pradesh, Pin: 500055, Mob: 9866669671, Tel: 040 65964671. Mega Home Improvement Pvt Ltd, #15-4-238/239, a,p.house, gowliguda Chaman, Hyderabad, Pin: 500012, Mob: 24652000, 6588591718, Tel: 9000355100. Oriental Engineering Co, 5-2-990, Nizam Shahi Road, Hyderabad, Andhra Pradesh, Pin: 500095, Mob: 9848029996, Tel: 040 460 056, 460 5319. S.V.Industrial & Marketing Services, 2-3-64/8, S.No-1 & 2, Sai Poomina, Opp-amberpet New Police Station, Hyderabad, Andhra Pradesh, Pin: 500013, Mob: 9391032617, Tel: 040-27424828. Sai Sales Corporation, No. 10-11-175/17-i, Fathenagar Main Road, Hyderabad, Pin: 500018, Tel: 3876877. Srinivasa Enterprises, 5-5-80/2nd Floor, Sri Srinivasa Commercial Complex, Beside Rao's Hotel Ranigun, secunde Hyderabad, Pin: 500003, Mob: 9989039943, Tel: 040-66489943. Vrindavan Enterprises, Shop No - 113, meghana Complex, Opp- Andhra Bank, Balanagar, Hyderabad, Pin: 500037, Mob: 9391062607, Tel: 39096810. Balaji Mini Tools, Plot No. 1-9-1/2, Beside Venkateshwara Temple, Kushaiguda, Hyderabad, Pin: 500062, Mob: 924620399091, Tel: 040 2716663, Lakshmi Svaram Enterprises, #43-1-48, Opp: Idbi Bank, Main Road, Kakinda, Branch:sarpavaram Junction, Beside Police Station, Kakinda, Andhra Pradesh, Pin: 533001, Tel: 9848317859. Revathi Enterprises, D. No. 43-7-25, Old Post Office Str, Jagannadhapuram Reddy, Kakinda, Andhra Pradesh, Pin: 533003, Mob: 9848133585, Tel: 0884-2387328. City Engineering Company, Shop No-14,15,16, Sai Durga Towers, Ongole, Andhra Pradesh, Pin: 523001, Mob: 9848144919, Tel: 08592-221090. Srk Power Tools Corporation, Door No-7-30-15, Opp:bata Show Room, Near Santhi, Main, Road Rajahmundry, Pin: 533101, Tel: 9986644555. Maharaja Spares No. 42, Nethaji Road, Tirupati, Pin: 517501, Mob: 9440079249, Tel: 0877 2253426. Ganesh Trading Co., 12-10-46, Convent Street, P Box No 83, Vijayawada, Andhra Pradesh, Pin: 520001, Mob: 9849082241, Tel: 0866-425241 / 426401. Gopalakrishna Engineering Co, Door No 12-6-15, Hart Street, Tarapat, Vijayawada, Pin: 520001, Mob: 0866-2425942, Tel: 9848156713. Sri Shirdi Sai Enterprises, Door No 12-3-32, Peena Mahamad Street, Tarapat, Vijayawada, Pin: 520001, Mob: 0866-2426333, Tel: 9848139633. S B Enterprises, 28-16-14, Suryabag, Visakhapatnam, Andhra Pradesh, Pin: 530020, Mob: 9440191723, Tel: 0891-2562208 / 25699197. Sri Ganesh Hardware & Electricals, No. 7-16-73, Old Gajuwaka Jn, Visakhapatnam, Andhra Pradesh, Pin: 530026, Mob: 9393100146, Tel: 0891 515524. Sri Sai Srinivasa Electricals, Door No.58-1-392, n.s.t.i.family Gat, Butchiraju Palem, visakha, Butchiraju Palem, Pin: 530027, Mob: 9885494398. **KARNATAKA:** Hindustan Tools, No-22, Kiadb Complex, Tvs Cross Peenya, Bangalore, Karnataka, Pin: 560002, Mob: 991 9341244149, Tel: 51271028. J V Marketing Corporation 1, 1st Floor, Kssidc Special, Plot No 19, Tvs Cross 1st Stage, Peenya Industrial Estate, Bangalore, Pin: 560058, Mob: 9741295446. Kshpra Engineering&Services, Fathima Eilidge, 16, cabin No 3 85 3rd Floor, 2nd Cross S.G Narayana Layout, Bangalore, Karnataka, Pin: 560027, Mob: 9886502505. Mini Sales And Tools Service, No.12, 1st Floor, r.k.banglunge, 1st Cross, N.R.Road, Bangalore, Karnataka, Pin: 560002, Mob: 91 98450 36264, Tel: 26702375. New Bangalore Power Tools No-6374,first Floor, Muniyappa Complex, Opp.i.b.p.petrol Bunk, Jalahalli Cross, Bangalore, Karnataka, Pin: 560057, Mob: 9980013389, Tel: 25906050. Patel Trading Corporation, 1st Floor, No. 57/3, Sardar Patrapura Road, Bangalore, Karnataka, Pin: 560018, Mob: 98452 92883, Tel: 41247774. Vishal Enterprises I Floor, No.5 Mandi Veerappa Lane, S.J.P. Road Cross, Bangalore, Karnataka, Pin: 560002, Tel: 080-2236187. Vikrant Sales Corporation, Khanapur Road, Udaynagar, Belgaum, Karnataka, Pin: 590008, Mob: 9480422522, Tel: 441256. City Tools Center, Ismail Complex, N H-17 Main Road, Bhatkal, Karnataka, Pin: 581320, Mob: 9448791748. Sagar Electricals, Shop No. 55 Cmc Complex, Bagalkot Cross, Bijapur, Karnataka, Pin: 586101, Mob: 9448440229, Tel: 08352-226374. A B Agencies Razak Building, Koppikar Road, Koppikar Road, Hubli, Karnataka, Pin: 580020, Mob: 990016001, Tel: 0836-2366812. Lakshmi Sales Corporation, Lakshmi Towers, Main Road,kulai, Manglore, Pin: 574196, Tel: 0824-2407836.

**KERALA:** Tool Tech Inc, Door No. 16/931 & 932b, Aradhana Tourist Home, Kallai Road, Calicut, Pin: 673002, Mob: 9388485464, Tel: 0495 4025071. Powertool Enterprises, 44/2133e, Freedom Road, Kalar, Kochi, Kerala, Pin: 682017, Mob: 9895405593, Tel: 0484-0447593, Tel: 0484-0447593, Tel: 0484-242708c Karuppilly, Deshabhinimath Road, Kochi, Kerala, Pin: 682017, Mob: 9388485378, Tel: 0484-2329546/2409745. Vindia Enterprises, 39/3686, Ravipuram Road, Ernakulam, Cochin, Kerala, Pin: 682016, Mob: 9847219831, Tel: 0484-2366924. Kolar Mill Stores Pvt. Ltd., 18/1819 Kolar Buildings, Opp Police Station, Up Hill P.O. Mallapuram, Pin: 676505, Mob: 9497 32 00 00, Tel: 0483-2730603. Vulcan Metals, 17/327, Nh 47, Manappullikkav, Palakkad, Pin: 678013, Tel: 0491 2506200/2506300, Tool Mec, Xii/689/27, Mars Complex, Poothole Road, Thrissur, Kerala, Pin: 680004, Tel: 0487-2389379. **TAMIL NADU:** B. R. Enterprises, No. 147, Broadway, Chennai, Tamil Nadu, Pin: 600108, Mob: 9381071188, Tel: 044-42620709/42620710, Chennai Power Tools And Electricals, No-648, 1st Floor, Mth Road, Mannurpet Padi, Chennai, Pin: 600050, Mob: 9841402911, Tel: 044-26251663. K.S.Engineering Equipments, 16, Trunk Road, Poonamallee, Chennai, Pin: 600056, Mob: 9849086541, Tel: 044-26492223. M.s.royal Tools Agencies, Old No.11, Newno.21, Errabalu Street, Chennai, Pin: 600 001, Mob: 044-2538 3048, Tel: 9884176366. Professional Power Tools Sales &service, No 77/155, Broadway, Chennai, Pin: 600108, Mob: 9841186478, Tel: 044-64555872. Shrimma Power Tools, No. 13, Old Mahabalipuram Road, Kanchanchandi,Chennai, Tamil Nadu, Pin: 600096, Mob: 9884489709, Tel: 044-64534203. Sri Kathiyani Enterprises, H-24, Central Avenue, Korattur, Chennai, Tamil Nadu, Pin: 600080, Mob: 9841810789, Tel: 044-26873550/42878495. Aardwolf Engineering Co., No. 180 A/9, Dr. Nanjappa Road, Nsp Complex, Coimbatore, Coimbatore, Tamil Nadu, Pin: 641018, Mob: 9363101650, Tel: 0422-2301884/2380974. Orient Equipment & Services, P.B. No. 3795, Shop No G-5, V. R. Arcade 295, Dr. Nanjappa Road, Coimbatore, Tamil Nadu, Pin: 641018, Mob: 9842265222, Tel: 0422-2236432/2238507. Banu Tools, Plot No 7, Amaravathi Towers, Vasavi Street, near Kvb Bank, Nh 7, Bye Pass Road, Hosur, Pin: 635109, Mob: 9443242102, Tel: 04344-242102. Sri Balaramurugan Agencies, No.100, t.k, nambi Street, Kanchipuram, Pin: 630501, Mob: 7200726026, Tel: 044-27223444. Sanker Sales Corporation, No. 270, West Masi Street, Madurai, Tamil Nadu, Pin: 625001, Mob: 9994135241, Tel: 0452-2341803. Sri Andal Agencies, 47/10e Devangapuram Extn St, Shevapet, Salem, Pin: 636002, Mob: 9362755919, Tel: 0427 2223718. Sri Andal Power Tools, No. 5, A Block, Res Complex, Madurai Road, Trichy, Pin: 620008, Mob: 9944262656, Tel: 0431 4544271. **GOA:** Mech-tech Engineering Systems, G-2, Emerald Towers, M.G. Road, Opp State Bank Zonal Office, Panji, Goa, Pin: 403001, Mob: 9822122921, Tel: 0832-2236601. S.K .Trading, Shop No 4 Esteve Apartment, Near Alua Hotel, Mercos, Panjim Pin:403005, Mob: 9270143918. S.S.Hitech Engineers, Shop No-2, Laxtp Aptts, Near Ktc Bus Stand, Vasco-da-Gama, Goa. Pin: 403802, Mob: 9822904784/9422743330, Tel: 0832-6483256. **GUJARAT:** Mark Engineering, No. A-13, Jay Raj Complex, opp B.P Petrol Pump, Sani Ni Chawl Chur Rusta, Odhav, Ahmedabad, Pin: 382415, Tel: 079-29092442. Rushabh Traders, Miani Chamber, Opp Syndicate Bank, Kadia Kuj, Relief Road, Ahmedabad, Pin: 380001, Mob: 9327070493, Tel: 079 22180265. Shivam Sales & Service, No. 28, Kalpesh Rang Pravan Soci, opp Vastapur Railway Station, Bhot Bhavani Mandir Road, vajapur, Ahmedabad Pin: 380007, Tel: 079-69501111. Shree Maruti Tools, B/5, New Shivkripa Apartment, Opp, Agiyaras Mata Mandir, Nava, Ahmedabad, Gujarat, Pin: 380013, Mob: 9724313764 & 9426513764, Tel: 079-7643580/7. Shyam Trading 34, Green Villa, nr. H.B. Kapadia School, Gurukul Road, Memnagar, Ahmedabad, Gujarat, Pin: 380052, Mob: 9825050794, Tel: 079 66522025. Chintan Electricals, Plot No-1006, gdc Estate, Ankelshwar,dist-bhnruch, Pin: 393002, Mob: 9033533735. Khatri Engineering Company, D.B.Z. - S - 139, Near Pitman's Gas, Gandhidham, Gujarat, Pin: 370201, Mob: 9898250681, Tel: 02836-222921/236466. Jay Enterprise, Dhebar Road, Near Ashok Guest House, Rajkot, Pin: 360001, Mob: 9824456452, Tel: 0281-2262325. National Power Tools ( Surat ), Hg4-142, Rusbhah Towers, Near Jain Temple, Achar Patia, Rander Road, Surat, Pin: 395009, Mob: 9898903200. Soham Reparing Center, 11,rameshwar Society, Beside Rudraksh Residence,kapdra Crossing, Varucha Road Surat, Mob: 9898231287. Vikram Engineers, M.G.Road, No-4, Sanghavi House, Udyognagar, Udhana, Pin: 394210, Mob: 9427137657, Tel: 0261-2274025. Hanom Enterprise, C/1b/ 888/1, gdc, Makapura, Vaodara, Gujarat, Pin: 390001, Mob: 9974027579, Tel: 0265-6543678. B H Traders, No. C-3, Busy Bse Complex, Hanuma Mandir, Bhadkorma, G.I.D.C. Vapi, Pin: 396195, Mob: 9825803227, Tel: 0260-2450808. **MADHYA PRADESH:** Bhopal Tools, No. 64, Hamidia Road, Bhopal, Madhya Pradesh, Pin: 462001, Mob: 9826335611, Tel: 736173. Pioneer Marketing Services, 223, Shastri Market, 2nd Floor, Indore, Madhya Pradesh, Pin: 452007, Mob: 9826053800, Tel: 0731-2538007. Reliable Power Tools, No.12 Jawahar Marg, near Patel Bridge, Shalimar Plaza, 1st Floor, shop No. 9, Madhya Pradesh, Pin: 452007, Mob: 9425317352, Tel: 0731-2366352. Vaishno Enterprises, Birla Road, Kolgawan, Satna, Madhya Pradesh, Pin: 485001, Mob: 9425173350, Tel: 251450, 509750. **MARAHASHTRA:** Datta Enterprises, N-16, Nimbalkar Road, Mid Industrial Area, Ahmednagar, Maharashtra, Pin: 414111, Mob: 9225300460/9225310081, Tel: 0241-6611130/6611131. R B Machinery, Malipura Chowk, Akola, Maharashtra, Pin: 444001, Mob: 9850289021, Tel: 0724-2424354. Machine Tools Centre, Safed Pol Andheri, Kurla Road, Next To Petrol Pump, Andheri, Mumbai, Pin: 400072, Mob: 9820828782. Spa Technical Services Pvt Ltd, 21-22 Navketan, Mahakali Caves Road Andheri (E), Mumbai, Pin: 400093, Mob: 9867259858. Unique Agencies, Marol Maroshi Road, Marol, Mumbai, Mumbai, Pin: 400059, Mob: 9224295450. Aniket Enterprises, X-324, Near Hdfc Bank, Maharana Pratap Chowk, Balaji Nagar, Mide, Aurangabad, Pin: 431005, Mob: 9552769194, Tel: 0240-2563312 Padmavati Electricals, Opp. Ramanand Colony, Kranti Chowk, Aurangabad, Pin: 431005, Mob: 9823093783, Tel: 0240-2323033. Shaco Sales & Services-aurangabad, X-128, babaji Commercial Complex, Bajaj Nagar Mide Walaj, Aurangabad, Pin: 431005, Mob: 9823466426/9028028763, Tel: 0240 2555171. Yash Vinayak Electrical, Shop No 9, Rishabh Apart-1, Near- Osmal English Academy School, Westul Empire, Boisar, Maharashtra, Pin: 401501, Tel: 8407989777. J B Machinery & Tools, Near St Joseph School, Botha Road, Buldhana, Pin: 443001, Mob: 9422881158, Tel: 07262-46159. Sadaguru Power Tools And Electrical, Kohinoor Centre, Shivaji Chowk, Chakan, Pune, Pin: 410501, Mob: 9822351008, Tel: 02165-645361. Mistry Enterprises Near Prakash Taluk, Dhule, Maharashtra, Pin: 424003, Tel: 9422787930, Tel: 02562-234429. Vardhaman Machine Tools, Shop No 6, Old Maneklal Chawl, L.B.S Marg, Near Telephone Exch, Ghatkopar (W) Mumbai, Pin: 400086, Mob: 9820534052. Sapana Enterprises, Panchanga Factory To Shampur Road Near Kothari Sizing, P. O - Gangan, Ichalkaranji, Maharashtra, Pin: 416116, Mob: 9731678843, Tel: 0230-2495157. S.P. Shah & Sons, Mutai Building, Near Natraj Cinema, Jalana, Maharashtra, Pin: 431203, Mob: 9422251287. Kaurenu Industrial Enterprises, No. 5, Laxmi Tower, Neri Naka, Jalgaon, Maharashtra, Pin: 425001, Mob: 9422780632, Tel: 0257-2227384. Shri Gajanan Electricals & Machiner, 327-a, Main Gate, Basement, New B.J.Market, Jalgaon, Maharashtra Pin: 422001, Mob: 9422184432, Tel: 0257-2224198. Mahavir Electricals, Shop No 8, Inside B.M.C Market, Khar (W), Mumbai, Pin: 400052, Mob: 9867060793. Sushito Enterprises, B.Under Ground - 1, Prabhakar Plaza, Station Road, Kolhapur, Maharashtra, Pin: 416001, Mob: 9422580000, Tel: 0231-667433. Yash Enterprises, 1446 Bc, Empire Tower, Shop No I/g-1, Dasara Chowk, Laxmipuri, Kolhapur, Maharashtra, Pin: 416002, Mob: 9422414211, Tel: 0231-644811. S D Traders, Jamade Building, Behind Old Power House, Latur, Maharashtra, Pin: 413512, Mob: 9422071082, Tel: 02382-252127. Super Agencies, G Ward, Shop No- 6, Gurananak Co Opp Hsg Society, Lonawala, Maharashtra, Pin: 410401, Mob: 9823052516, Tel: 02114-273279. Anil Traders, Shop No 2 Paralkar Wadi, R.C Marg, Chembur Naka, Mumbai, Pin: 400071, Mob: 9322183201. Chaudhary Tools, 33-a, Jayendra Bhuvan, S.K.Bole Road, Dadar (W), Mumbai, Pin: 400028, Tel: 022-66625190. K.Z.Trading Co., 29/12, abid Manzil, 139, Nagdevi St, Mumbai, Mob: 9029024015. Manohar Electric Stores, 10, roshni Building, s.v.road, Oshiwara,jogeshwar (West), Mumbai, Maharashtra, Pin: 400102, Tel: 022-26784783. Nirav Traders, No. 42, Nagdevi Cross Lane, Mumbai, Maharashtra, Pin: 400003, Mob: 9820127192, Tel: 022-3428672/3422928. Raj Machine Tools, Ii Nd Floor, 71/73, Nagdevi Street, Mumbai, Maharashtra, Pin: 400003, Mob: 9323910798, Tel: 022-65213643/2035. S. A. Traders, 76, Nagdevi Cross Lane, Shop No 3, Mumbai, Maharashtra, Pin: 400003, Mob: 9870084598, Tel: 022-23400988. Shree Siddhivnyak Machine Tools, Shop No 1, Vishwa Mohini Building, Opp Kamla Nehru Shopping Centre, N.S Road , Mulund, Pin: 400080, Mob: 9594015345. Swastik Machine Tools P Ltd, Sambali Nagar,near Savli Hotel, Akurli Road,kandivli (E), Mumbai, Pin: 400101, Mob: 9892269974. Rathi Engineering Company, 31 A, Radke Layout, Opp- Saint Xaviers High School, Nagpur, Maharashtra, Pin: 440016, Mob: 9373107555, Tel: 07104-232221. Union Hardware Stores, Central Avenue, Dardoch Chowk, Near Itwani High School, Nagpur, Pin: 440002, Mob: 9971068950/9822564150, Tel: 2786920, 2777729. Essel Engineers, No. 6/7, Khetwadi D, Near Dondre Bridge, Untwadi, CIDCO, Nashik, Maharashtra, Pin: 422009, Mob: 9423093243. Meson Traders, No. 994, Main Road, Nashik, Nashik (M.S.), Pin: 422001, Mob: 09970166652, Tel: 0253 2507862. Vidad Engineering & Electricals, Mahadev Nagar Corner, Near Satpur Bus Stop, Satpur - Trimbak Road Satpur, Nasik, Pin: 422007, Mob: 9822049760, Tel: 0253 2363567, Fine Electrical Works, Shop No -3 janta Market, Plot No 3 & 4 ,Sec-23, Nr Sadguru Hotel,turbhe ,navi Mumbai, Navi Mumbai, Pin: 400705, Mob: 9322290574. New Bombay (Hardware) Traders Pvt, Plot No 107, Sector-23, Turbhe Service Industries, Near Janta Market, Vashi, Navi Mumbai, Pin: 400705, Mob: 9820127192, Tel: 022-67937977/27835529. Shree Ambica Machine Tools, Shop No 26, Shivaji Chowk, Osmanabad, Maharashtra, Pin: 413501, Mob: 9881096188, Tel: 0242-2272811, Everest Enterprises, Sukhwani Nest, Shop No. 7, Vidyanagar, Pimpri, Pune, Pin: 411018, Tel: 27433522. Faith Machinery Stores, Tip Top Bldg, Shop No-6&7, 550b, Nanapeth, Near Chacha Halwai Chowk, Laxmi Road, Pune, Pin: 411002, Tel: 020-26137868/26137663. K Z Trading Co., Shop No 2, Padamjee Palace, Bhawani Peth, Pune, Pin: 411042, Max Corporation, No. 95, Ganesh Peth, Laxmi Road, Dulya Maruti Chowk, Pune, Maharashtra, Pin: 411002, Tel: 020-6341647/6344945. Maharashtra, Ram Electricals, Shagun Chowk, Pimpri, Pune, Pin: 411017, Mob: 9850223068. Solanki Enterprises, No. 288b, Rasta Peth, Opp M.S.E.B. Near Sai Motors, Pune, Pin: 411011, Mob: 9822002976, Tel: 020 26120268. Superweld Sources Pvt Ltd., Near,Century Enclave, Sandli Bhosari, Pune, Maharashtra, Pin: 411026, Tel: 020-30681560. Techno Tools, 1 & 2, P.J. Chambers, Near Ambekar Statue, Pimpri, Pune, Pin: 411018, Mob: 9822040744, Tel: 020 27421967. Tool Max, 'Maull' 738, Budhwar Peth, Ganesh Road, Nr. Phadke Houd, Pune, Maharashtra, Pin: 411002, Tel: 020 32319333. Arc Power Tools & Equipments, Off Chougule Complex, Kupwad Road, Near Railway Gate, Sangli, Maharashtra, Pin: 416415, Mob: 9423871513, Tel: 0233-302185, Shree Sales And Services, Plot No. P-90, Chakan Oil Mill Road, M.I.D.C. Sangli, Maharashtra, Pin: 416436, Mob: 9423871648, Tel: 0233-2645005/5616582. M P Engineers, Shop No -7, Jiwahla Housing Society, Near Bombay Restaurant, Old M.I.D.C., Satara, Maharashtra, Pin: 415001, Mob: 9822637283. Near Maharashtra Traders, No. 184 B/1c, Ravipur Peth, Pawai Naka, Satara, Maharashtra, Pin: 415002, Mob: 9422033369, Tel: 02162-35605. Madan J. Dalvi, Gala No -7 ,J.v.complex, Ramlal Chowk, Railway Line, Solapur, Maharashtra, Pin: 413001, Mob: 9422068351, Tel: 0217-2727051. Siddhadrata Sales & Services, No. 64, Jodhavi Peth, Solapur, Pin: 413002, Mob: 9423066906, Tel: 0217 2729911. Suneel Textile Engineering Industy, Plot No. 65, Nagane Nagar, Behind Mahavir Tea Company,kondh-413004, Konadh, Solapur, Pin: 413007, Mob: 9823112275, Tel: 0217-622500. Neha Power Tools, Shop No 4, Bhanu Nagar, Dombivli East, Thane, Mob: 9987209787. Super Sales & Services, Monalisa Bldg, Shop No.5, Haninwars Circle, Thane, Thane, Pin: 400602, Mob: 9892375131, Tel:022-25368645.



