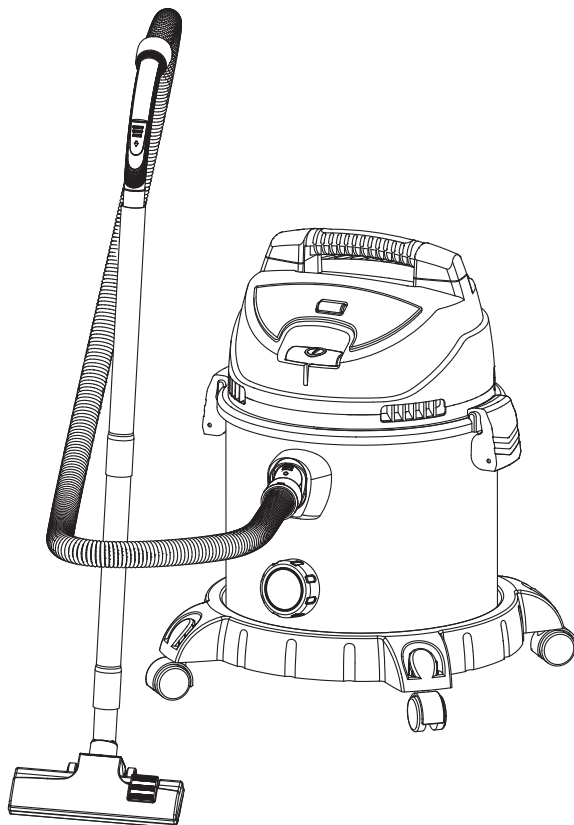


BLACK+ DECKER™



WDBDS20
WDBDS30

English

4

FIG. A

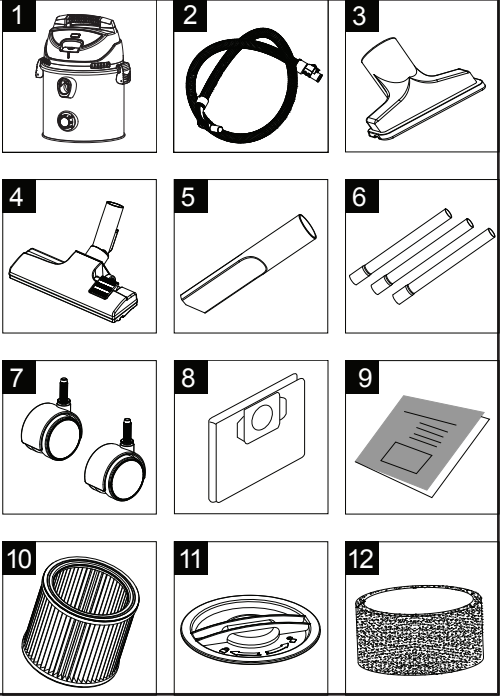
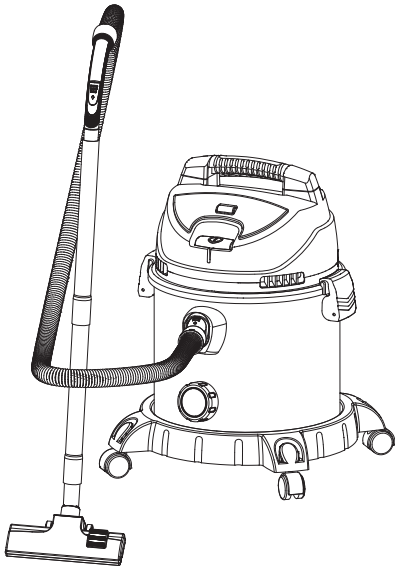


FIG. B

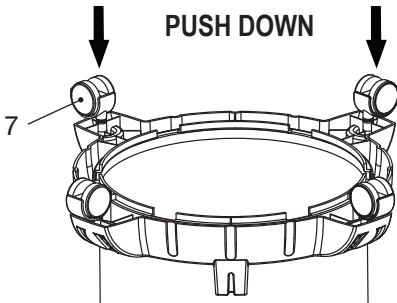


FIG. C

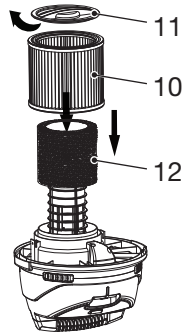


FIG. D

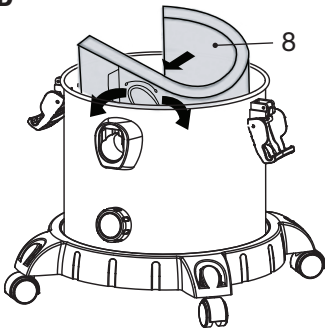


FIG. E

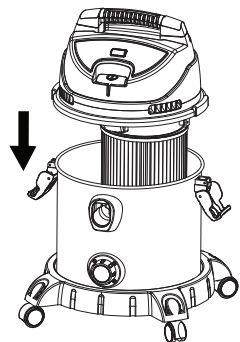


FIG. F

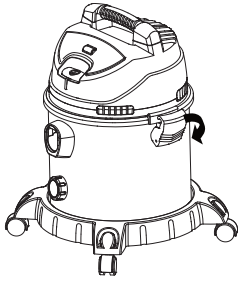


FIG. G

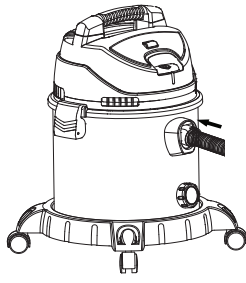


FIG. H



FIG. I

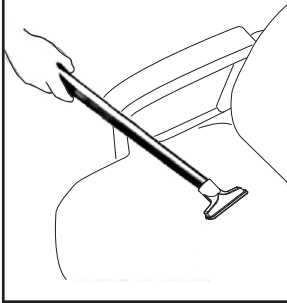


FIG. J

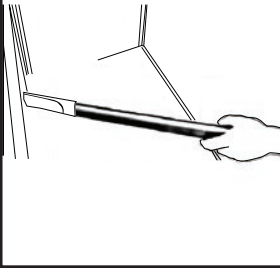


FIG. K

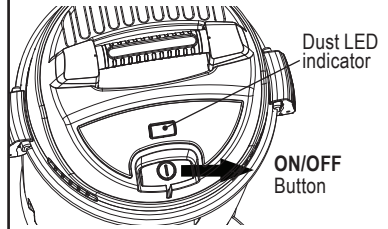


FIG. L

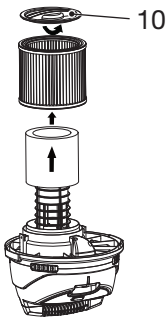


FIG. M

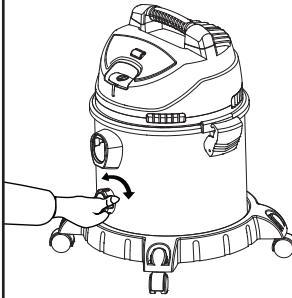


FIG. N

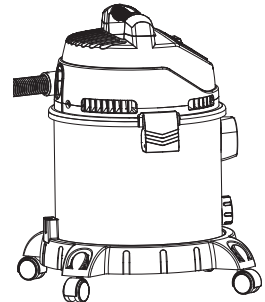


FIG. O

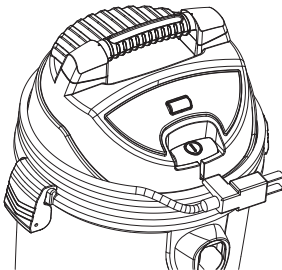
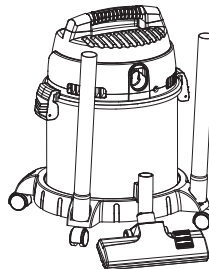


FIG. P



WDBDS20, WDBDS30 WET & DRY VACUUM CLEAN

SPECIFICATIONS

VACUUM		WDBDS20	WDBDS30
Input Voltage	V	220-240	220-240
Frequency	Hz	50/60	50/60
Power	W	1400	1600

GENERAL SAFETY RULES

⚠ **Warning!** Read and understand all instructions. Failure to follow all instructions listed below, may result in electric shock, fire and/or serious personal injury.

SAVE THESE INSTRUCTIONS



SAFETY INSTRUCTIONS

General vacuum cleaner safety warnings.

Warning! Read all safety warnings and all

instructions. Failure to follow the warnings and instructions listed below may result in electric shock, fire and/or serious injury.

Save all warnings and instructions for future reference.

The term "vacuum cleaner" in all of the warnings listed below refers to your mains operated (corded) vacuum cleaner or battery operated (cordless) vacuum cleaner.

1. Work Area Safety

- Keep work area clean and well lit.** Cluttered and dark areas invite accidents.
- Do not operate vacuum cleaners in explosive atmospheres, such as in the presence of flammable liquids, gases or dust.** Vacuum cleaners create sparks which may ignite the dust or fumes.
- Keep children and bystanders away while operating a vacuum cleaner.** Distractions can cause you to lose control.

2. Electrical Safety

- Vacuum cleaner plugs must match the outlet. Never modify the plug in any way. Do not use any adapter plugs with earthed (grounded) vacuum cleaners.** Unmodified plugs and matching outlets will reduce risk of electric shock.
- Avoid body contact with earthed or grounded surfaces such as pipes, radiators, ranges and refrigerators.** There is an increased risk of electric shock if your body is earthed or grounded.

- Do not expose vacuum cleaners to rain or wet conditions.** Water entering a vacuum cleaner will increase the risk of electric shock.
- Do not abuse the cord. Never use the cord for carrying, pulling or unplugging the vacuum cleaner. Keep cord away from heat, oil, sharp edges or moving parts.** Damaged or entangled cords increase the risk of electric shock.
- When operating a vacuum cleaner outdoors, use an extension cord suitable for outdoor use.** Use of a cord suitable for outdoor use reduces the risk of electric shock.
- If operating a vacuum cleaner in a damp location is unavoidable, use a residual current device (RCD) protected supply.** Use of an RCD reduces the risk of electric shock.

3. Personal Safety

- Stay alert, watch what you are doing and use common sense when operating a vacuum cleaner. Do not use a vacuum cleaner while you are tired or under the influence of drugs, alcohol or medication.** A moment of inattention while operating vacuum cleaners may result in serious personal injury.
- Use personal protective equipment. Always wear eye protection.** Protective equipment such as dust mask, non-skid safety shoes, hard hat, or hearing protection used for appropriate conditions will reduce personal injuries.
- Prevent unintentional starting. Ensure the switch is in the off-position before connecting to power source and/or battery pack, picking up or carrying the tool.** Carrying vacuum cleaners with your finger on the switch or energising vacuum cleaners that have the switch on invites accidents.
- Remove any adjusting key or wrench before turning the vacuum cleaner on.** A wrench or a key left attached to a rotating part of the vacuum cleaner may result in personal injury.
- Do not overreach. Keep proper footing and balance at all times.** This enables better control of the vacuum cleaner in unexpected situations.
- Dress properly. Do not wear loose clothing or jewellery. Keep your hair, clothing and gloves away from moving parts.** Loose clothes, jewellery or long hair can be caught in moving parts.
- If devices are provided for the connection of dust extraction and collection facilities, ensure these are connected and properly used.** Use of these devices can reduce dust related hazards.

4. Vacuum cleaner Use and Care

- a. **Do not force the vacuum cleaner. Use the correct vacuum cleaner for your application.** The correct vacuum cleaner will do the job better and safer at the rate for which it was designed.
- b. **Do not use the vacuum cleaner if the switch does not turn it on and off.** Any vacuum cleaner that cannot be controlled with the switch is dangerous and must be repaired.
- c. **Disconnect the plug from the power source and/or the battery pack from the vacuum cleaner before making any adjustments, changing accessories, or storing vacuum cleaners.** Such preventive safety measures reduce the risk of starting the vacuum cleaner accidentally.
- d. **Store idle vacuum cleaners out of the reach of children and do not allow persons unfamiliar with the vacuum cleaner or these instructions to operate the vacuum cleaner.** Vacuum cleaners are dangerous in the hands of untrained users.
- e. **Maintain vacuum cleaners. Check for misalignment or binding of moving parts, breakage of parts and any other condition that may affect the vacuum cleaners operation. If damaged, have the vacuum cleaner repaired before use.** Many accidents are caused by poorly maintained vacuum cleaners.
- f. **Keep cutting tools sharp and clean.** Properly maintained cutting tools with sharp cutting edges are less likely to bind and are easier to control.
- g. **Use the vacuum cleaner, accessories and tool bits etc. in accordance with these instructions, taking into account the working conditions and the work to be performed.** Use of the vacuum cleaner for operations different from those intended could result in a hazardous situation.

5. Service

- a. **Have your vacuum cleaner serviced by a qualified repair person using only identical replacement parts.** This will ensure that the safety of the vacuum cleaner is maintained.

6. Electrical safety









Your tool is double insulated; therefore no earth wire is required. Always check that the main voltage corresponds to the voltage on the rating plate.



Warning! If the power cord is damaged, it must be replaced by the manufacturer, authorized BLACK+DECKER Service Center or an equally qualified person in order to avoid damage or injury. If the power cord is replaced by an equally qualified person, but not authorized by BLACK+DECKER, the warranty will not be valid.

7. Labels on tool

The label on your tool may include the following symbols:

 Read Instructions Manual	Hz Hertz	 Class II Construction
 Use Eye Protection	W Watts	 Earthing Terminal
 Use Ear Protection	min minutes	 Safety Alert Symbol
V Volts	~ Alternating Current/min.. Revolutions or Reciprocation per minute
A Amperes	— Direct Current	n ₀ No-Load Speed

SAFETY INSTRUCTIONS FOR VACUUMS

- ⚠ **Warning! Read all safety rules carefully before attempting to operate.**
- ⚠ **Warning! This appliance can be used by children aged from 8 years and above and persons with reduced physical, sensory or mental capabilities or lack of experience and knowledge if they have been given supervision or instruction concerning use of the appliance in a safe way and understand the hazards involved. Children shall not play with the appliance. Cleaning and user maintenance shall not be made by children without supervision.**
- ⚠ **Warning! The product for household use only. Never operate this unit when flammable materials or vapors are present because electrical devices produce arcs or sparks that can cause a fire or explosion.**
- ⚠ **Warning!**
 - ▶ Do not leave vacuum when plugged in. Unplug from outlet when not in use and before servicing.
 - ▶ To reduce the risk of electric shock, do not expose to rain; store indoors.
 - ▶ Use only as described in this manual. Use only manufacturer's recommended attachments.
 - ▶ Do not use with damaged cord or plug. If vacuum is not working as it should, has been dropped, damaged, or dropped into water, return it to a service center.
 - ▶ Do not pull or carry by cord, use cord as a handle, close a door on cord or pull cord around sharp edges or corners.
 - ▶ Do not run vacuum cleaner over cord. Keep cord away from heated surfaces.
 - ▶ Do not unplug by pulling on cord. To unplug, grasp the plug, not the cord.
 - ▶ Do not handle plug or vacuum with wet hands.
 - ▶ Do not put any object into openings. Do not use with any openings blocked.
 - ▶ Keep hair, loose clothing, fingers and all parts of body away from openings and moving parts.
 - ▶ Turn off all controls before unplugging.

6 • ENGLISH

- ▶ Do not use to pick up flammable or combustible liquids such as gasoline or use in areas where they may be present.
- ▶ To avoid spontaneous combustion, empty tank after each use.
- ▶ Do not pick up anything that is burning or smoking, such as cigarettes, matches, or hot ashes.
- ▶ Do not use without dust bag and/or filter in place.
- ▶ To reduce the risk of the electric shock. Make sure the plug is dry and do not operate with wet hands.
- ▶ Do not run vacuum unattended.
- ▶ If the supply cord is damaged, it must be replaced by the manufacturer, its service agent or a similarly qualified person in order to avoid a hazard.
- ▶ The appliance is not to be used by persons (including children) with reduced physical, sensory or mental capabilities, or lack of experience and knowledge, unless they have been given supervision or instruction.
- ▶ Childre being supervised not play with the appliance.

CARTON CONTENTS LIST - FIG. A

PART	DESCRIPTION	QTY
1	Vaccum assembly	1
2	Flexible hose	1
3	Sofa brush	1
4	Floor brush	1
5	Crevice nozzle	1
6	Extension tube	2
7	Wheel	4
8	Washable dust bag	1
9	User manual	1
10	HEPA filter	1
11	HEPA filter cover	1
12	Sponge filter	1

DRUM ASSEMBLY

⚠ **Warning!** If any part is missing or damaged, please do not assemble until you have all the parts.

Invert drum to install wheel

Insert the four wheels (7) into the socket of wheel base. Be sure that wheels spin freely (Fig. B)

ASSEMBLING THE UNIT

1. Put the HEPA filter (10) into float holder, then lid the HEPA filter cover (11), fasten it clockwise. On the contrary, remove the HEPA filter anticlockwise (Fig. C).

NOTE: When picking up small amounts of liquid the HEPA filter can be left in place. When picking up large amounts of liquid we recommend that the HEPA filter should be

removed. If the HEPA filter is not removed, it will become saturated and misting may appear in the exhaust.

2. Fitting the dust bag. Put the dust bag board (8) into inlet base. (Dust bag board should be aim at the slot of the inlet base). Rotate the board clockwise 90° degrees to fasten the dust bag according to arrow direction (LOCK side) (Fig. D).
To remove the dust bag from the inlet base, just rotate the dust bag board anticlockwise 90° degree (OPEN side), then take out the dust bag.

NOTE: The dust bag use only for dry-vacuum.

3. Install the power head assembly into the drum assembly as shown (Fig. E).
4. Rotate both latches down and press until you hear them snap over the flanges on the drum (Fig. F).
5. Insert the flexile hose connector into the inlet base of the vacuum cleaner (Fig. G).

OPERATION

Accessories use instructions

The vacuum cleaner is equipped with three nozzles for different applications. Each individual nozzle can either be fitted onto the connecting tube or directly onto the handle of the flexible hose.

1. Floor brush

This is suitable for cleaning wide areas. The floor brush is fitted with a practical 360° tie-in, this ensures that you can reach easily into any corner (Fig. H).

2. Crevice nozzle

This nozzle is suitable for sucking and cleaning the corners or niches that cannot be reached with the floor brush. Besides, it can be used as blowing tool (Fig. I).

3. Sofa brush

You can use this to clean the dust from books or sensitive objects such as picture frames etc. This nozzle is suitable for the careful cleaning of upholstered furniture, mattresses, cushions, curtains etc. (Fig. J)

⚠ ATTENTION!

1. Make sure all the assembly is according to the instructions. Connect the hose to the unit, then install the specific accessories for the intended cleaning purpose. Insert the plug into the socket. Press the ON/OFF switch button, start the using. After using, press the ON/OFF switch button to stop. Unplug the cord from the socket. (Fig. K)

WET VACUUMING

⚠ **Caution!** Always remove the dust bag when you commencing wet vacuuming.

1. When picking up small amounts of liquid the HEPA filter may be left in place.
2. When picking up large amounts of liquid we recommend that the HEPA filter should be removed. If the HEPA filter is not removed, it will become saturated and misting may appear in the exhaust.
3. When the liquid in the drum reaches a predetermined level, the float mechanism will rise automatically to cut off air-flow, the indicator light turn on at the same time. When this happens, turn off the vac, unplug the power cord, and empty the drum.
4. After using the vac to pick up liquids, the HEPA filter must be cleaned and dried to reduce the risk of possible mildew and damage to the filter.
5. The sponge filter should be cleaned and dried if necessary, the removal method is shown in (Fig. L).
6. When the drum full, turn anticlockwise the water lid and empty the water (Fig. M).

DRY VACUUMING

⚠ **Caution!** Never dry-vacuum without the filter assembly installed.

1. For dry –vacuum using, there are two filtering methods:
 - a. Dust bag;
 - b. HEPA filter. For mass dust cleaning, we advise to use dust bag. For a bit but tiny dust cleaning, we advise to use HEPA filter. Since the HEPA filter have better filtering performance but will low down the air flow.
2. The device has dirt full and block indication function, the light turns on that means the air route way is blocked. In this case, user should switch off the device and check:
 - a. Is the hose or accessories blocked by large dirt?
 - b. Is the filter blocked by dirt?

User should take actions:

- a. Clean the dirt in the hose or other accessories.
- b. Change or clean the dust bag/HEPA filter.

BLOWING FUNCTION

The device has blow function, if necessary, fix the hose connector to the exhaust of the device (the same method with inlet connection), then fix the accessories to use (Fig. N).

CARE AND MAINTENANCE

⚠ **Warning!** Before storing the vacuum, the dust drum and filter should be emptied and cleaned.

- ▶ The cord should be wrapped around the device (Fig. O), the accessories should be stored in the storage base (Fig. P). The vac should be stored indoors.
- ▶ To clean the device casing switch off and disconnect the plug from the mains socket.
- ▶ Never expose the vacuum cleaner to the effects of the

weather (rain, etc.). No parts may be washed in a dish washer.

- ▶ The casing, dust collecting chamber and filter chambers of the vacuum cleaner can be wiped with a damp cloth if required. No liquid must enter the vacuum cleaner in the process. Never use strong cleaning substance (scouring liquids, thinners), since these will corrode the plastic surface. Only place the plug back in the mains socket when you have made sure that all the parts are thoroughly dry.
- ▶ Hair and fluff may gather on the running wheels and on the floor nozzle of the vacuum cleaner in time. You should remove these to ensure that handling of the vacuum cleaner is always easy.
- ▶ Lubricating or oiling of the roller bearing is not recommended, because this will cause dirt and fluff to stick even better.

Correct disposal of this product

This marking indicates that this product should not be disposed with other household wastes throughout the EU. To prevent possible harm to the environment or human health from uncontrolled waste disposal, recycle it responsibly to promote the sustainable reuse of material resources. To return your used device, please use the return and collection systems or contact the retailer where the product was purchased. They can take this product for environmental safe recycling.

PROTECTING THE ENVIRONMENT



Separate collection. This product must not be disposed of with normal household waste. Should you find one day that your BLACK+DECKER product needs replacement, or if it is of no further use to you, do not dispose of it with household waste. Make this product available for separate collection.



Separate collection of used products and packaging allows materials to be recycled and used again. Re-use of recycled materials helps prevent environmental pollution and reduces the demand for raw materials. Local regulations may provide for separate collection of electrical products from the household, at municipal waste sites or by the retailer when you purchase a new product.

SERVICE INFORMATION

BLACK+DECKER offers a full network of company-owned and authorized service locations throughout Asia. All BLACK+DECKER Service Centers are staffed with trained personnel to provide customers with efficient and reliable product service.

Whether you need technical advice, repair, or genuine factory replacement parts, contact the BLACK+DECKER location nearest to you.

NOTE

- ▶ BLACK+DECKER's policy is one of continuous improvement to our products and, as such, we reserve the right to change product specifications without prior notice.
- ▶ Standard equipment and accessories may vary by country.
- ▶ Product specifications may differ by country.
- ▶ Complete product range may not be available in all countries. Contact your local BLACK+DECKER dealers for range availability.