

0 611 272 1F1 – GBH 2-24 DRE

Material number 0 611 272 1F1

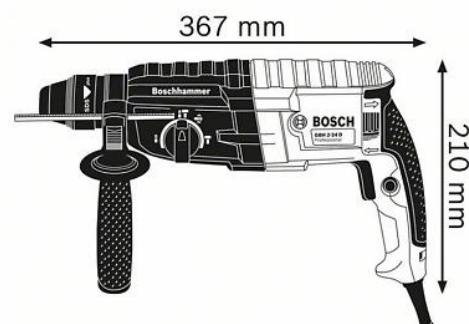
EAN 4059952567631



Technical data

Technical data

Rated input power	790 W
Impact energy (according to EPTA 05/2016)	2.7 J
Impact rate at rated speed	0 – 4,200 bpm
Rated speed	0 – 930 rpm
Weight	2,8 kg
Tool dimensions (length)	367 mm
Tool dimensions (height)	210 mm
Tool holder	SDS plus
Noise level	The A-rated noise level of the power tool is typically as follows: Sound pressure level dB(A); Sound power level dB(A). Uncertainty K= dB.



Drilling range

Max. drilling diameter masonry, core cutters	68 mm
Max. drilling diameter in metal	13 mm
Max. drilling diameter in wood	30 mm

Sales information

Positioning

- The new standard in concrete drilling!

User benefit

- Best drilling speed in class due to optimized gear housing set
- Enhanced durability and hard work due to powerful 790 W motor
- Spare parts interchangeability and easy maintenance because of smart design



