

# 0 611 265 0F0 – GBH 8-45 DV

Material number	0 611 265 0F0
EAN	3165140603997



## Technical data

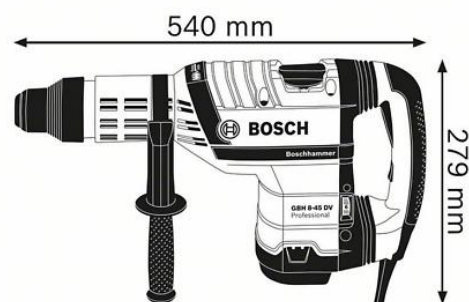
### Description

Long version part 1 (BE)

The GBH 8-45 DV Professional with Vibration Control is an all-round performer in the SDS max corded rotary hammer category due to its universal capabilities. Its perfect power-to-weight ratio enables it to easily perform many SDS max tasks, balancing strength and ease of use. This rotary hammer also features robust metal components for durability. Its strong motor enables the delivery of 12.5 J of impact energy for a fast drilling and chiselling progress.

Noise level

The A-rated noise level of the power tool is typically as follows: Sound pressure level dB(A); Sound power level dB(A). Uncertainty K= dB.



### Technical data

Rated input power	1.500 W
Impact energy (according to EPTA 05/2016)	12.5 J
Impact rate at rated speed	1,380 – 2,760 bpm
Rated speed	150 – 305 rpm
Weight	8,9 kg
Tool dimensions (width)	116 mm
Tool dimensions (length)	540 mm
Tool dimensions (height)	310 mm
Tool holder	SDS max

### Drilling range

Hammer drilling diameter range in concrete	12 – 45 mm
Recommended drilling diameter range in concrete	20 – 40 mm
Drilling dia. concrete, breakthrough drill bits	80 mm
Drilling diameter in concrete with core cutters	125 mm



## Sales information

---

### Positioning

- Powerful 1500 watt at low vibrations

### User benefit

- User buys a GBH 8-45 DV Professional and gets various accessories for free!
- Peak performance in Drilling and Chiselling
- Three-way Vibration Control System, Turbo Power Function

