

0 601 1A9 5F1 – GBM 350

Material number 0 601 1A9 5F1

EAN 4059952509778



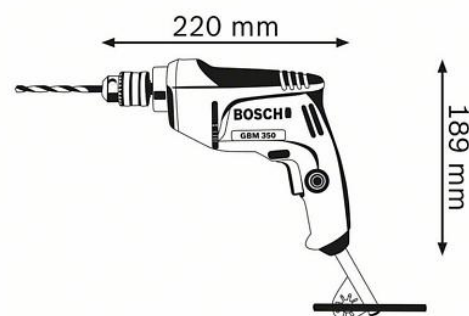
Technical data

Technical data

Rated input power	350 W
No-load speed, 1st gear	0 – 0 rpm
Weight	1.2 kg
Rated speed	2,000 rpm
Chuck capacity, min./max.	1 – 10 mm
Tool dimensions (width)	70 mm
Tool dimensions (length)	240 mm
Tool dimensions (height)	190 mm
Voltage, electrical	220–230 V
Power output	160 W
Noise level	The A-rated noise level of the power tool is typically as follows: Sound pressure level dB(A); Sound power level dB(A). Uncertainty K= dB.

Drilling range

Drilling diameter in aluminium	13 mm
Drilling diameter in wood	20 mm
Drilling diameter in steel	10 mm



Sales information

Positioning

- New Ergonomically designed drill for tradesmen

User benefit

- Slim and compact design > ease of use in narrow space
- Effective “in-line” use grip
- Powerful 350W motor > for robust application needs