

0 601 6A2 2L0 – GKS 18V-57

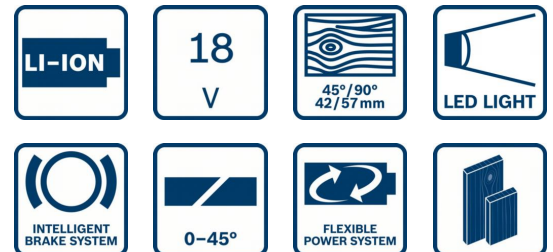
Material number	0 601 6A2 2L0
EAN	3165140869379
1 x circular saw blade, Optiline Wood, 165 x 20 x 1.7 mm, 16	✓
2 608 642 605	



Technical data

Technical data

No-load speed	3,400 rpm
Saw blade diameter	165 mm
Saw blade bore diameter	20 mm
Battery voltage	18.0 V
Guide rail compatible	no
Noise level	The A-rated noise level of the power tool is typically as follows: Sound pressure level 80 dB(A); Sound power level 91 dB(A). Uncertainty K= 3 dB.

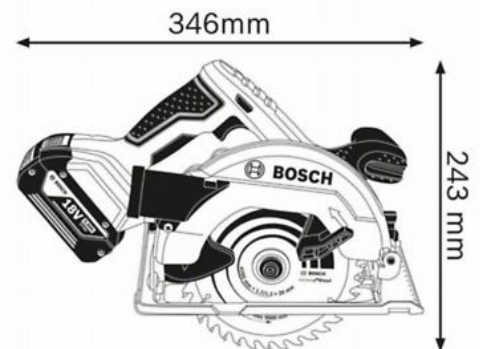


Cutting depth

Max. cutting capacity in wood (90°)	57 mm
Max. cutting capacity in wood (45°)	39 mm

Noise/vibration information

Sound pressure level	80 dB(A)
Sound power level	91 dB(A)
Uncertainty K	3 dB



Sales information

Positioning

- The battery-powered all-rounder for all robust sawing jobs

User benefit

- Performance – a fast sawing rate and long runtime thanks to powerful motor and 5.0 Ah batteries
- Robust design – for every application on the jobsite, even on a roof or scaffold
- Everyone can choose sides – a hand-held circular saw that can also have the saw blade on the right-hand side

