

# 0 601 216 1FD – GSB 501

Material number 0 601 216 1FD

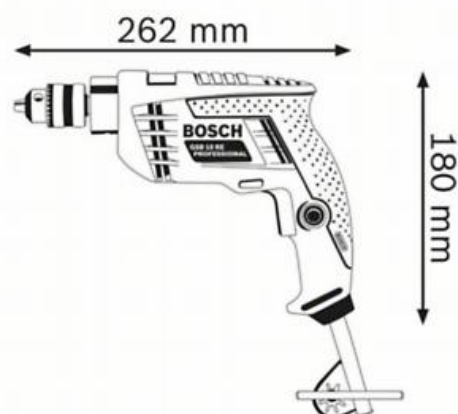
EAN 3165140848879



## Technical data

### Technical data

Rated input power	450 W
No-load speed, 1st gear	0 – 0 rpm
Power output	250 W
Weight	1.5 kg
Drill spindle connecting thread	3/8"-24 UNF
Chuck capacity, min./max.	1.5 – 10 mm
Tool dimensions (width)	69 mm
Tool dimensions (length)	262 mm
Tool dimensions (height)	180 mm
Impact rate at no-load speed	0 – 0 bpm
Voltage, electrical	220–230 V
Noise level	The A-rated noise level of the power tool is typically as follows: Sound pressure level dB(A); Sound power level dB(A). Uncertainty K= dB.



### Drilling range

Drilling diameter in concrete	10 mm
Drilling diameter in wood	20 mm
Drilling diameter in steel	8 mm

## Sales information

---

### Positioning

- Compactness and power redefined in this class

### User benefit

- Robust and powerful 500 W motor
- Extremely compact for working in tight spaces and overhead
- Low weight of only 1.5 kg for fatigue-free working

