

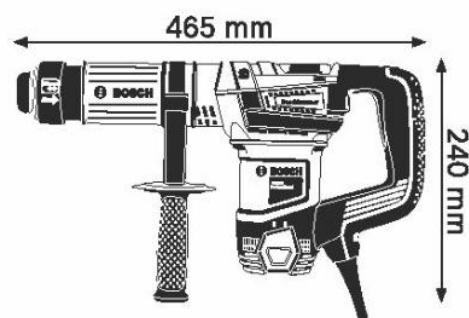
Material number	0 611 337 0F0
EAN	4059952631899



## Technical data

### Technical data

Rated input power	1.100 W
Impact energy (according to EPTA 05/2016)	7.5 J
Impact rate at rated speed	2,850 bpm
Weight	5,6 kg
Tool dimensions (width)	110 mm
Tool dimensions (length)	465 mm
Tool dimensions (height)	240 mm
Tool holder	SDS max
Noise level	The A-rated noise level of the power tool is typically as follows: Sound pressure level 96 dB(A); Sound power level 107 dB(A). Uncertainty K= 3 dB.



## Sales information

### Positioning

- Longer lifetime with power that impresses in its class

### User benefit

- Reduced contact pressure & long hammer tube for good and balanced performance
- 15% higher impact force ensure high material removal rate
- Strengthen impact housing for longest lifetime in the class